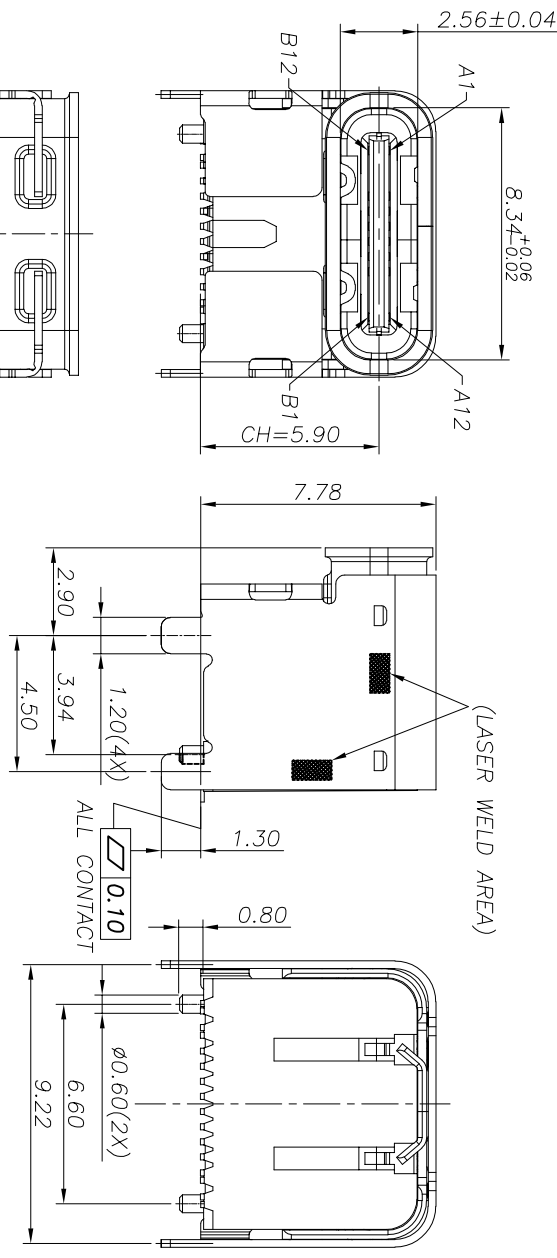
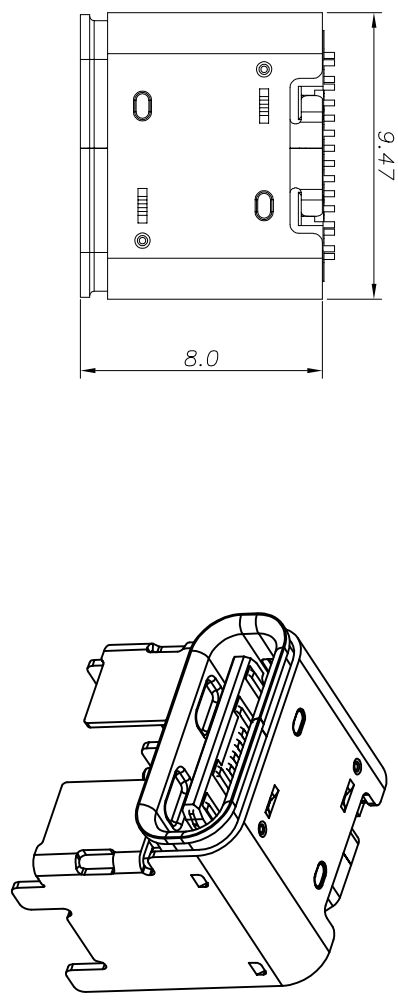


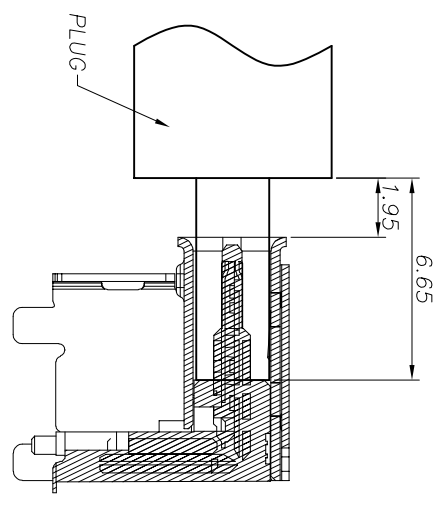
REV.	ECN NO.	DESCRIPTION	DATE	DESIGN
A	ECN NO.	INITIAL RELEASED	2022.03.08	Neo.Liu



- NOTE:
- MATERIAL SPECIFICATION:
    - HOUSING:HIGH TEMPERATURE RESISTANT PLASTIC,UL94 V-0.
    - TERMINAL: COPPER ALLOY (C1814)
    - MID PLATE: STAINLESS STEEL (SUS301)
    - FRONT SHELL: STAINLESS STEEL (SUS304)
    - TOP SHELL: STAINLESS STEEL (SUS304)
  - PLATING SPECIFICATION:
    - CONTACTS:
      - 50u" MIN. UNDER PLATED OVER ALL.
      - AU PLATED ON THE FUNCTIONAL AREA OF CONTACT. (GOLD PLATING THICKNESS FOLLOW THE P/N)
    - FRONT SHELL&TOP SHELL:
      - 30u" MIN. UNDER PLATED OVER ALL.
    - MID PLATE:
      - CLEAR ONLY
  - MECHANICAL PERFORMANCE,
    - INSERTION FORCE: 0.5~2.0kgf.
    - REMOVAL FORCE: 0.8kgf~2.0kgf.
    - DURABILITY: 10000 CYCLES.
  - ELECTRICAL PERFORMANCE,
    - VOLTAGE RATING:5 V DC/AC (RMS. max)
    - CURRENT RATING:5 AMPS. FOR TOTAL VBUS/GND PINS; 1.25AMPS FOR CC PIN,0.25 AMPS. FOR ALL OTHER CONTACT.
  - LCR:
    - VBUS & GND PINS AND OTHER PINS: 40mΩ/PIN MAX. SHIELD: 50mΩ/MAX.
    - LCR MAX. CHANGE OF ALL PINS: 10mΩ.
  - INSULATION RESISTANCE: 100MΩ MIN
  - DIELECTRIC WITHSTAND VOLTAGE,AC 100V FOR 1 MINUTE.
  - ENVIRONMENTAL PERFORMANCE:
    - OPERATING TEMPERATURE: -25°C~+85°C.
    - IR REFLOW:
      - THE PEAK TEMPERATURE ON THE BOARD SHALL BE MAINTAINED FOR 10 SECONDS AT 260°C.

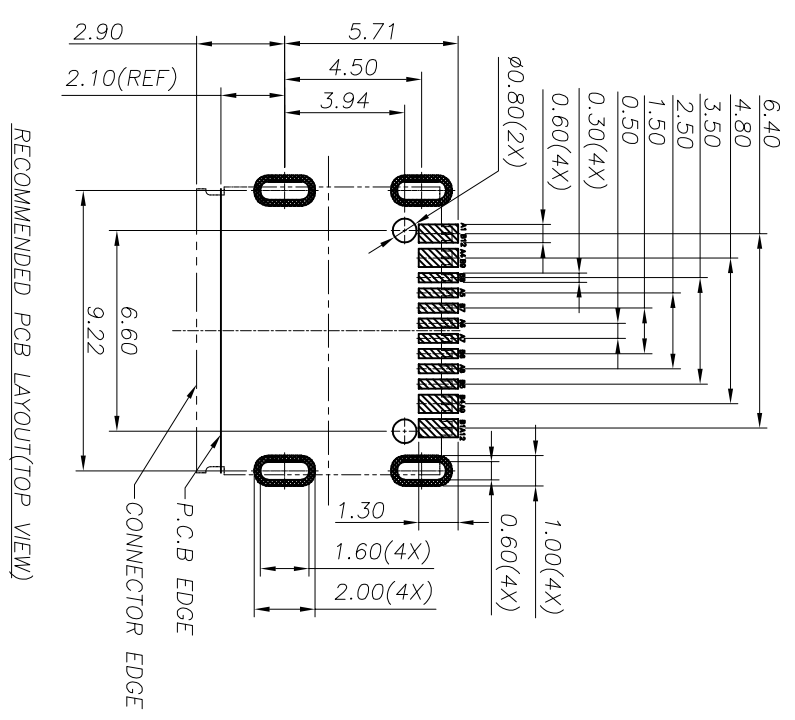
TOLERANCE	NAME(INTENDED USE) CUSTOMER DRAWING	广东富盈兴业精密科技实业有限公司 Guangdong Fuyou Precision Technology Industrial Co.,LTD	
X.X ±0.30 X.X' ±10'	PART NO.	TITLE:	DRAWG NO.
.XX ±0.20 .X' ± 8'	-----	USB C F 16PIN SMT	FY23-011TC162F779-59
.XXX ±0.10 .XX' ± 5'	DESIGN: Neo.Liu	SCALE	SHEET
UNITS mm	CHED:	1:1	1/3
MATERILA	APPD:	REV.	A
FINISH			

REV.	ECN NO.	DESCRIPTION	DATE	DESIGN
A	ECN NO.	INITIAL RELEASED	2022.03.08	Neo.Liu



USB TYPE-C PIN ASSIGNMENTS

PIN NUMBER	SIGNAL NAME	PIN NUMBER	SIGNAL NAME
A1	GND	B12	GND
A4	Vbus	B9	Vbus
A5	CC1	B8	SBU2
A6	Dp1	B7	Dn2
A7	Dn1	B6	Dp2
A8	SBU1	B5	CC2
A9	Vbus	B4	Vbus
A12	GND	B1	GND

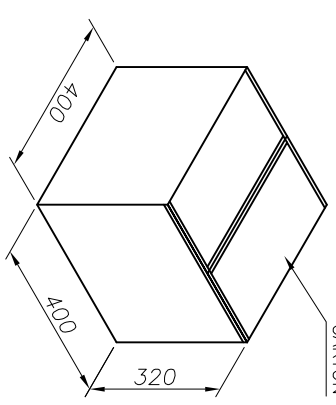
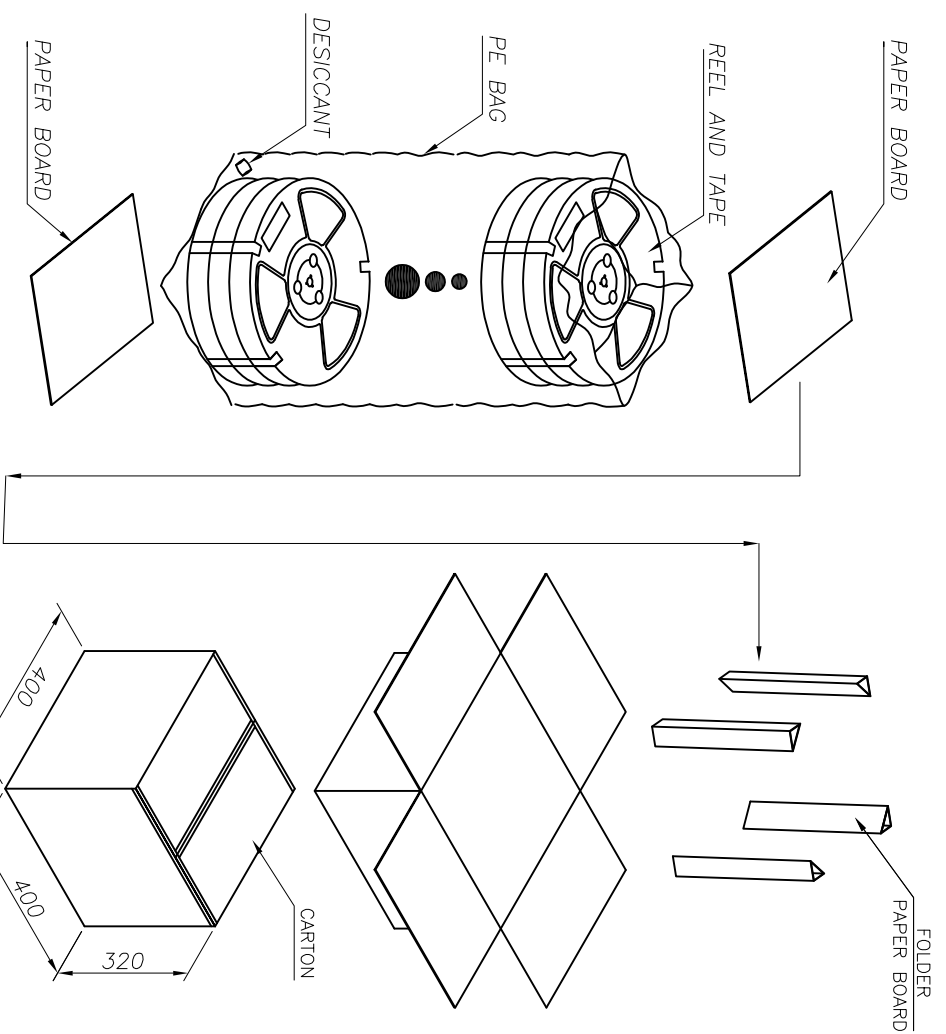
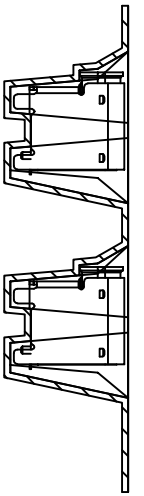
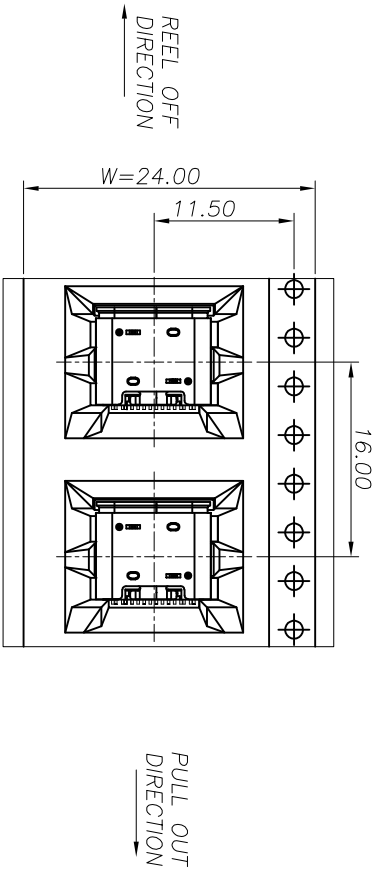
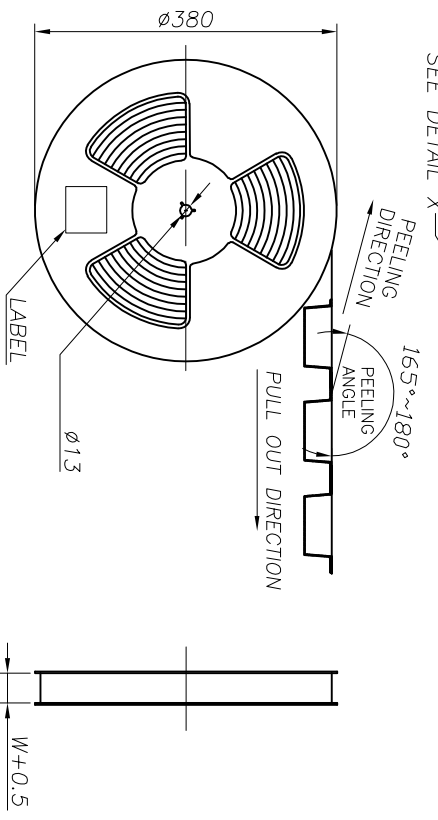
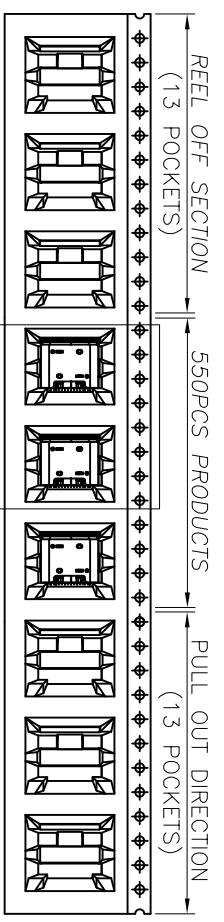


TOLERANCE		NAME(INTENDED USE) CUSTOMER DRAWING	
X.X ±0.30 X.° ±10'		PART NO.	-----
.XX ±0.20 .X.° ± 8'		DESIGN:	Neo.Liu
.XXX ±0.10 .XX.° ± 5'		CHD:	
UNITS	mm	APPD:	
MATERILA			
FINISH			

DRAWG NO.		TITLE:	
FY23-011TC162F779-59		USB C F 16PIN SMT	
SCALE	1:1	SHEET	2/3
REV.	A	CH=5.9	

6 5 4 3 2 1

REV.	ECN NO.	DESCRIPTION	DATE	DESIGN
A	ECN NO.	INITIAL RELEASED	2022.03.08	Neo.Liu



TOLERANCE	NAME(INTENDED USE)	CONNECTOR (PCS)	REEL	CARTON
X.X ±0.30 X.* ±10°	CUSTOMER DRAWING	550	5500	
.XX ±0.20 .X.* ± 8°	PART NO. -----			
.XXX ±0.10 .XX.* ± 5°	TITLE: USB C F 16PIN SMT			
UNITS mm	DESIGN: Neo.Liu			
MATERILA	CHEG:			
FINISH	APPD:			
	DRAWG NO. FY23-011TC162F779-59			
	SCALE 1:1			
	SHEET 3/3			
	REV. A			

广东富盈兴业精密科技实业有限公司  
Guangdong Fuying Precision Technology Industrial Co.,LTD

6 5 4 3 2 1