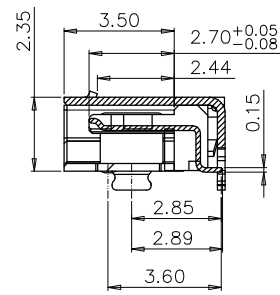
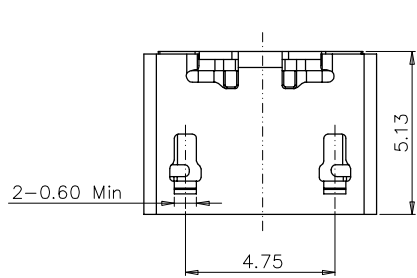
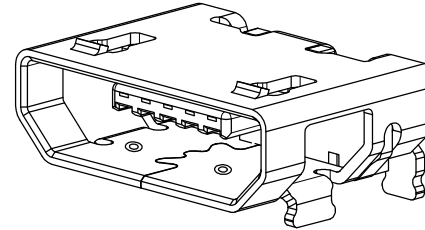
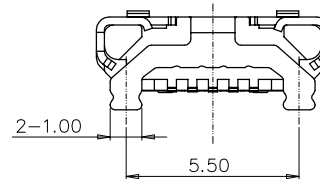
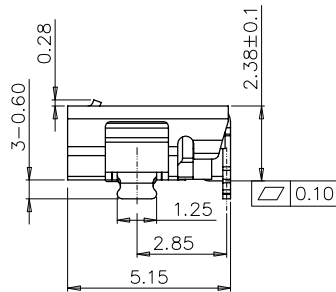
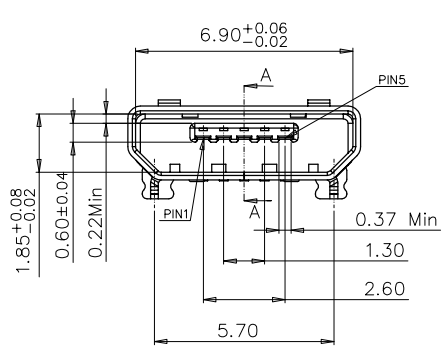


Size 1.0

RBV.	BCN. NO.	APPD.
A	BC-19-0026205	Davy Bu



SECTION A-A



Note:

1.Material:

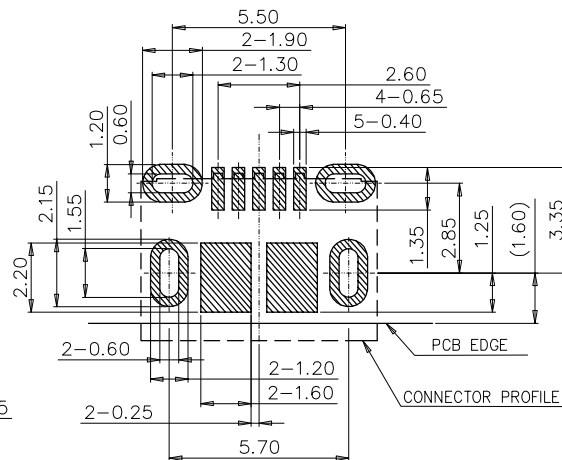
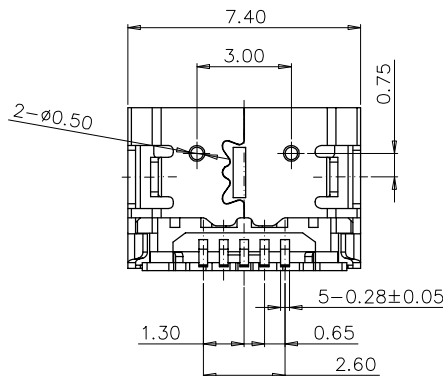
- 1.1 Housing: LCP,UL94V-0
- 1.2 Contact: Copper Alloy, Plated Au 0.5u"Min on Plated Ni 30U" Min
- 1.3 Shell: SUS . Plated Tin 80U" Min on Plated Ni 30U".

2.Specification:

- 2.1 Current rating: 1 A Max.
- 2.2 Dielectric withstanding voltage: 100 V(ac) for 1 min.
- 2.3 Contact resistance: 30 mOHM Max.
- 2.4 Insulation resistance: 100M OHM Min.
- 2.5 Temperature range: -25°C~+80°C.
- 2.6 Total mating force: 35 Newtons Max.
- 2.7 Total unmating force: 8 Newtons Min.
- 2.8 Durability: 5000cycles Min.
- 2.9 Co-planarity of all SMT leads shall be within 0.10mm range.


2.10 RECOMMENDED PROCESS:

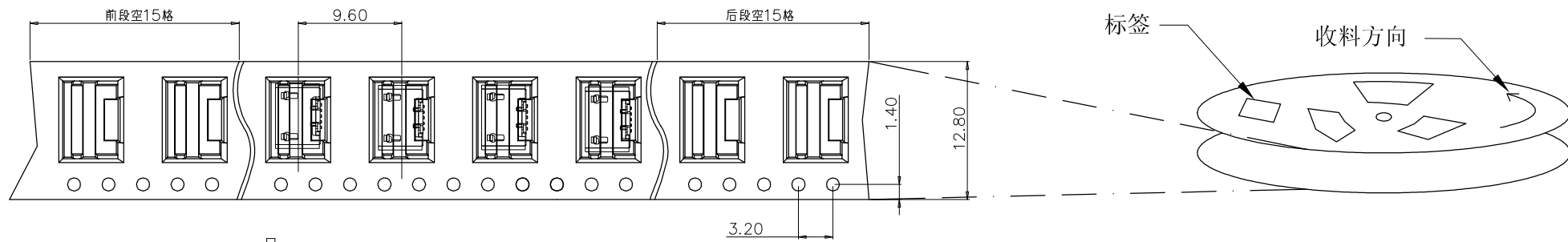
IR REFLOW,PEAK UP TEMPERATURE:250±5°C · 10S.



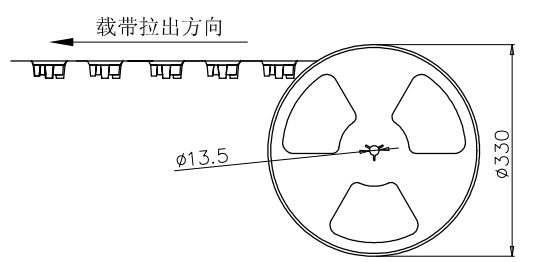
RECOMMENDED P.C.B LAYOUT (COMPONENT SIDE)

DEFAULT TOLERANCE: ±0.05[.002]

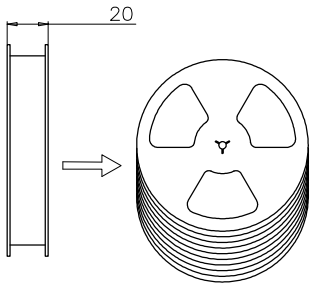
X.±	X.'±	UNITS	NAMB(INTBNDBD USB)	 FOXCONN INTERCONNECT TECHNOLOGY LIMITED.
.X±	.X'±	mm	Customer	
.XX±	.XX'±	MAT'L	PART NO.(INTBNDBD USB)	CLASS:
.XXX±	.XXX'±	N/A	UN11511-N1210-7F	<input type="checkbox"/> CONFIDENTIAL <input type="checkbox"/> SBCRBT <input checked="" type="checkbox"/> GENERAL
.XXXX±	.XXXX'±	FINISH	APPD:	TITLB:MICRO USB2.0 B TYPE CONNECTOR
		N/A	Davy Bu 11/14'19	DWG NO.: 327-0000-****
		Q'TY	CHKD: Patrick Peng 11/14'19	SCALE
		N/A	DRAW: Tony Xu 11/14'19	SHBTT
				RBV.
				A



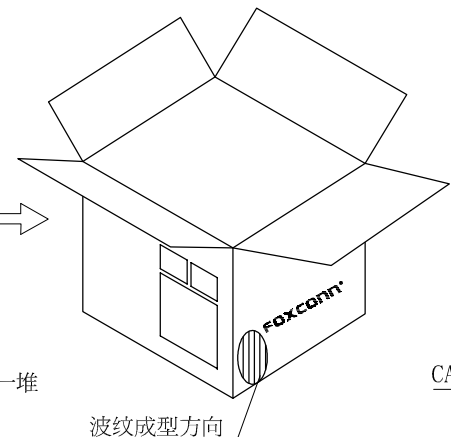
STEP1, 产品装入: 前后段空15格后产品装入



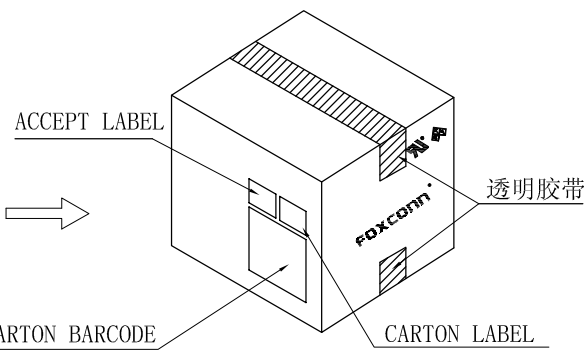
STEP2, 产品装入: 每盘装1500PCS
贴好数量标签
卷盘: 外径330mm内径13.5mm



STEP3, 产品堆积: 每10盘放一堆




STEP4, 封好箱底, 在底部放一块隔板, 同时放好围板, 套好防水袋.



STEP5. 装箱: 每箱装10盘(1500PCS/R), 每箱装15000PCS, 上层放一块隔板, 封好外箱, 并在相应位置贴上标签(纸箱规格: 36x36x24cm)

注意:

1. 将成品放入卷盘中, 每盘装 1500PCS. 前后段各空15格
2. 将装好成品之卷盘叠放 10层, (成品 15000PCS)
3. 封好纸箱, 并在纸箱指定位置贴上纸箱标签。

X.±	X.*±	UNITS	NAMC(INTBNDD USB)	 FOXCONN INTERCONNECT TECHNOLOGY LIMITED.
.X± 0.38	.X*±	mm	Customer	
.XX± 0.25	.XX*±	MAT'L	PART NO.(INTBNDD USB)	CLASS:
.XXX±	.XXX*±	N/A	UN11511-N1210-7F	<input type="checkbox"/> CONFIDENTIAL <input type="checkbox"/> SECRET <input checked="" type="checkbox"/> GENERAL
.XXXX±	.XXXX*±	FINISH	APPD:	TITLB: MICRO USB2.0 B TYPE CONNECTOR
<small>THESE DRAWINGS AND SPECIFICATIONS ARE THE PROPERTY OF FOXCONN INTERCONNECT TECHNOLOGY LIMITED. AND SHALL NOT BE REPRODUCED, COPIED OR USED IN ANY MANNER WITHOUT THE PRIOR WRITTEN CONSENT OF FOXCONN INTERCONNECT TECHNOLOGY LIMITED.</small>		N/A	Davy Bu 11/14'19	DWG NO.: 327-0000-****
		Q'TY	CHKD: Patrick Peng 11/14'19	SCALB
		N/A	DRAW: Tony Xu 11/14'19	SHBBT
				RBV.
				N/A
				2/2
				A