

RoHS

REV	ECN NO.	DESCRIPTION	DESIGN	APPROVAL	DATE
A1	NEW	更换图框			2024.05.24

SPECIFICATIONS

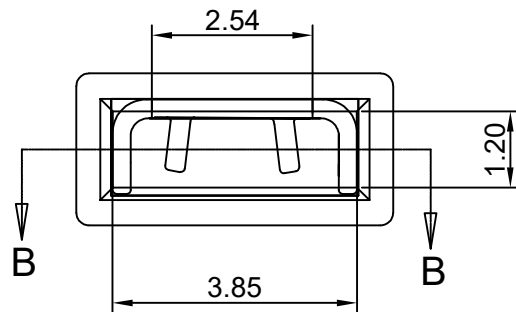
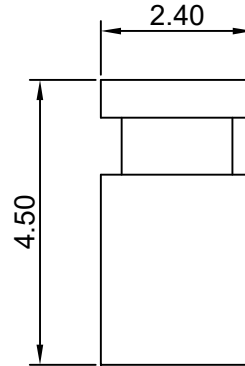
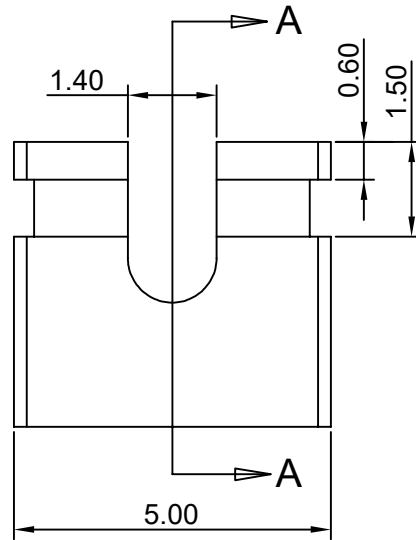
1. Current rating: 3A AC, DC
2. Temperature range: -40°C ~ +105°C
3. Insulation resistance: 1000MΩ Min.
4. Withstanding voltage: 500V AC/ minute.
5. Contact resistance: 20mΩ Max.

Material:

Insulator Material:PBT (UL 94V-0) Black

Contact Material:Phosphor bronze

Plating:Gold or tin over nickel



X.±0.50	X.°±
.X±0.25	.X°±
.XX±0.15	.XX°±
.XXX±0.10	.XXX°±
UNITS:	mm

THESE DRAWINGS AND SPECIFICATIONS ARE THE PROPERTY OF XFCN AND SHALL NOT BE REPRODUCED, COPIED OR CUED IN ANY MANNER WITHOUT THE PRIOR WRITTEN CONSENT OF XFCN

PART NO: F254D-02-045-PT-B		XFCN 兴飞连接器		
TITLE: MJ PH2.54mm 塑高4.5 开口型		0769-82001899		
		www.xfconn.com		
		DWG NO: /		
APPD	Chen ZhiQiang	VIEW		
CHKD	Liu Wei	SCALE	SHEET	REV
DRAW	Chen HongJiang	NONE	1/1	A1
DATE	2024.08.19			