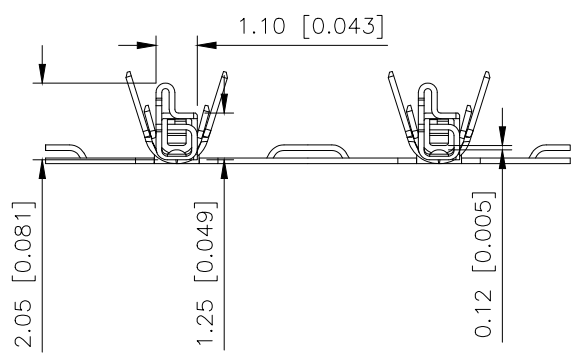
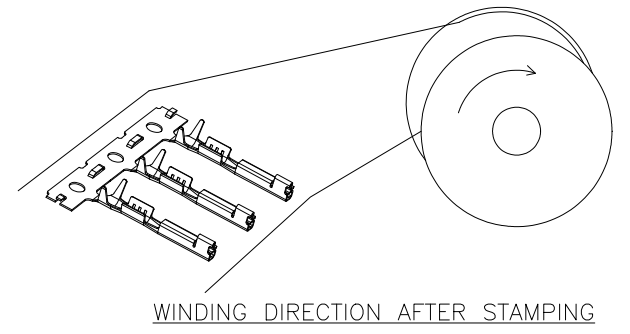
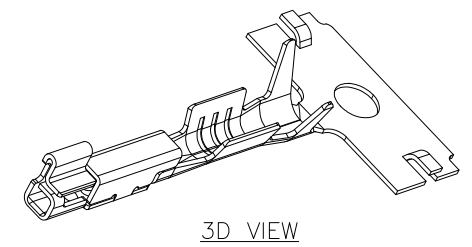
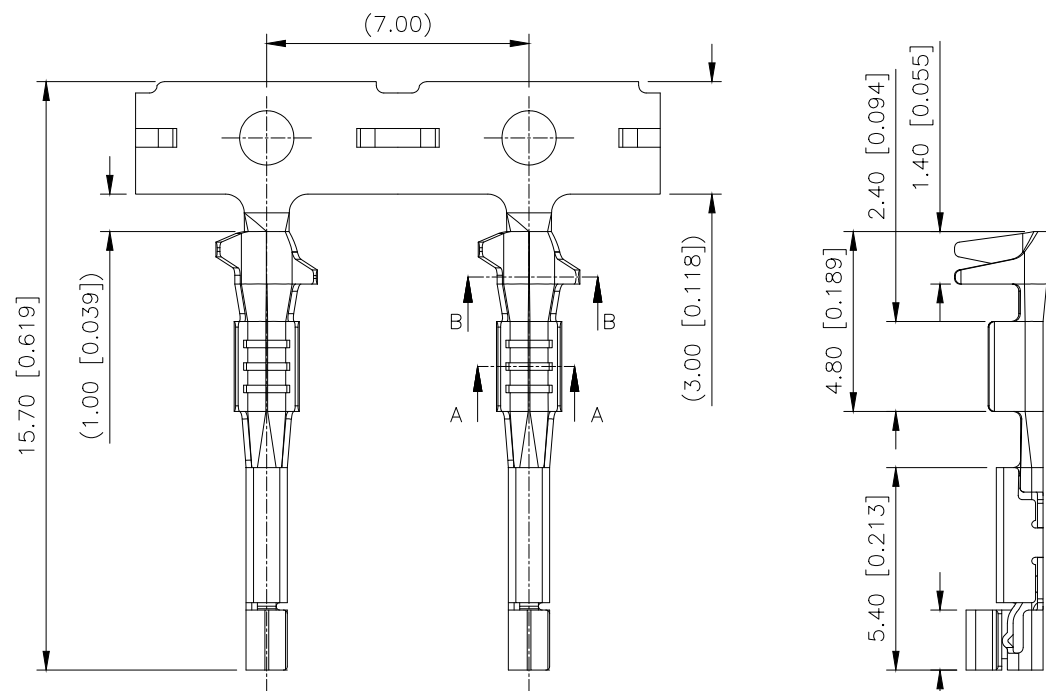


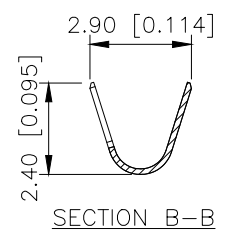
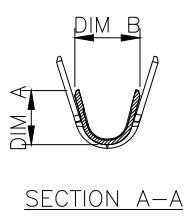
REVISIONS					
REV.	ECN NO.	LOCATION	DESCRIPTION	DATE	DESIGN
A0	N/A		INITIAL RELEASE	2024.07.17	桑 葦



PART NO.:
X332X T-B SN
 ① ② ③ ④

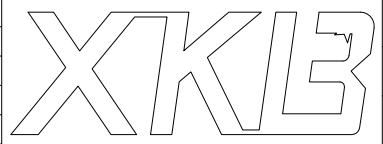
规格Specifications:
 额定电压Voltage rating:60V AC/DC
 额定电流Current rating:3A AC/DC
 耐受电压Withstanding voltage:500V AC/minute
 温度范围Temperature range:-40℃~+125℃
 绝缘电阻Insulation resistance:≥100MΩ
 接触电阻Contact resistance:≤10mΩ (测试后≤30mΩ)
 材质Material:Copper Alloy,T=0.15mm
 电镀Finish:Tin 40~120u" Overall

- 1.Series No:332A-TYPE A
332B-TYPE B
- 2.Category:T-Terminal
- 3.Material:B-Copper Alloy
- 4.Finish:SN-Tin-plated



X332BT-BSN	X332XH-XXX-PB	0.50mm ² (20AWG) OD=1.60 Max	1.80	1.92
X332AT-BSN	X332XH-XXX-PB	0.22~0.35mm ² (22~24AWG) OD=1.50 Max	1.46	1.74
PART NO.	SUITABLE XKB HOUSING	WIRE SIZE	DIM A	DIM A

ANGLAR	±5°
X.	±0.40
X.x	±0.30
X.xx	±0.20
X.xxx	±0.15
UNSPECIFIED TOLERANCES	



DESIGN	桑 葦	VIEW:		MODEL TYPE:	2.0mm Crimp Style Connector
CHECKED		UNIT:	mm/in	PART NO.:	X332XT-BSN
APPROVED		SIZE:	A4	DWG NO.:	

XKB INDUSTRIAL PRECISION CO.,LIMITED

SCALE	PAGE	REVISION
N/A	1/1	A0