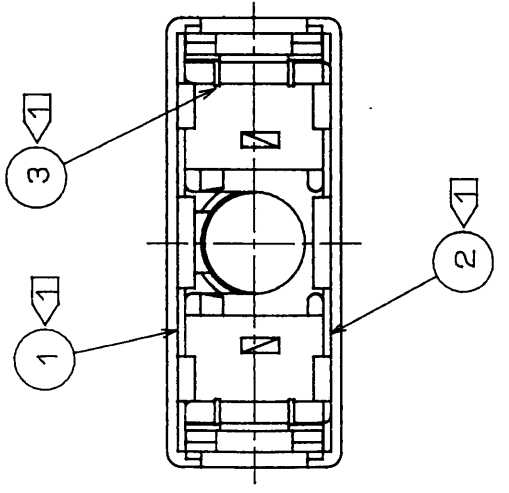
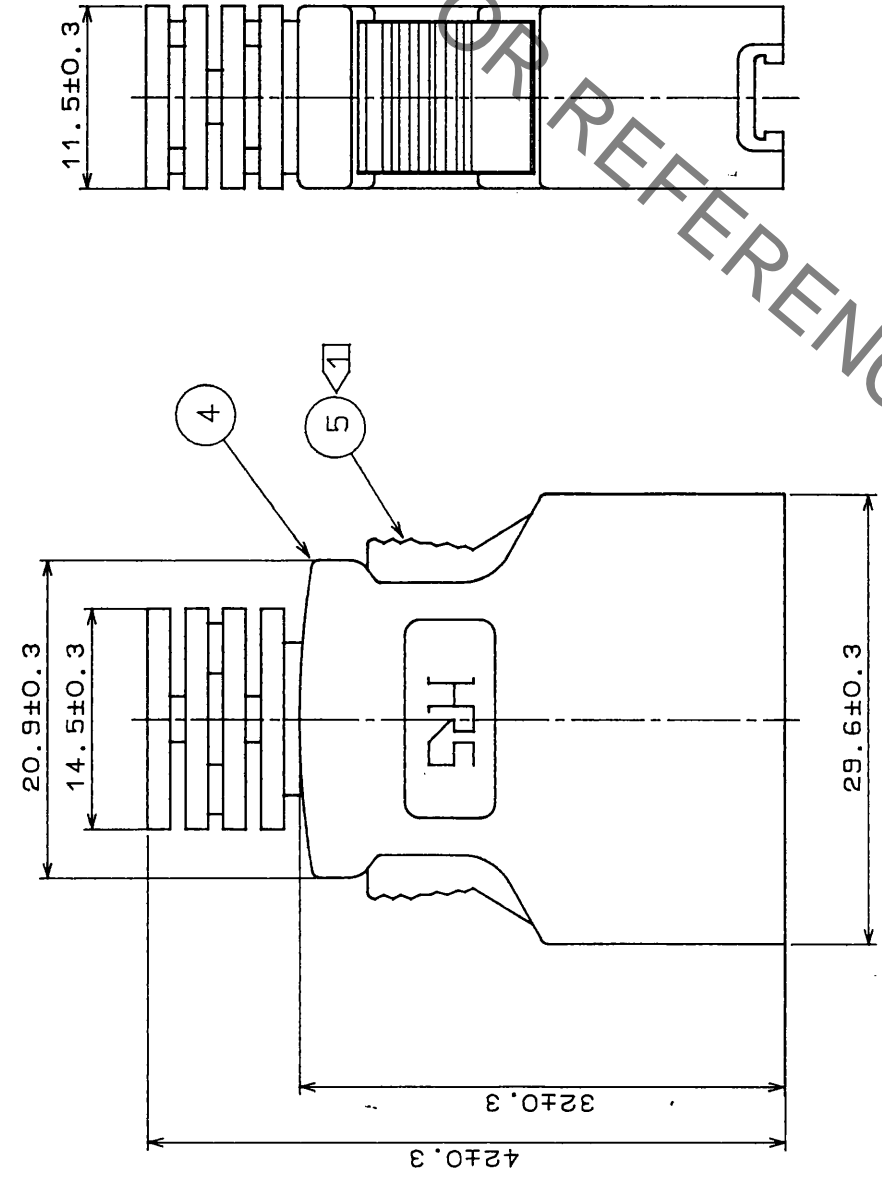
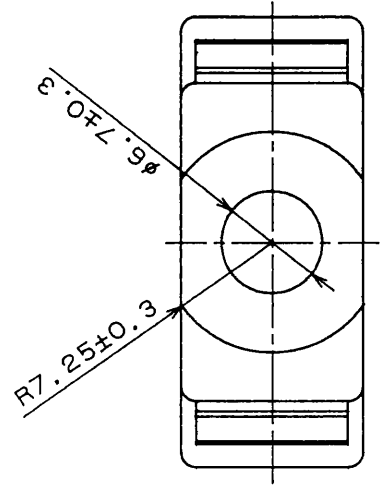


Jan. 1. 2022 Copyright 2022 HIROSE ELECTRIC CO., LTD. All Rights Reserved.  
 In case of consideration for using Automotive equipment / device which demand high reliability, kindly contact our sales window correspondents.



HRS DRAWING FOR REFERENCE

Note Part No. ①②③ and ⑤ shall be attached.

NO.	REVISIONS	BY	CHKD	DATE	NO.	REVISIONS	BY	CHKD	DATE
△					△				
△					△				
△					△				

No.	MATERIAL	FINISH, REMARKS	No.	MATERIAL	FINISH, REMARKS
3	Stainless steel		5	Polycarbonate (Color:Light beige)	UL94V-2
2	Stainless steel		4	Polycarbonate (Color:Light beige)	UL94V-2
1	Stainless steel				

APPROVED	REVIEWED	CHECKED	DESIGNED	DRAWN
A. Nakagawa	S. Kikita	M. Nakamura	N. NISHIMATU	
10.4.90	10.4.90	10.4.90	10.4.90	

GENERAL DIMENSION TOLERANCE	UNITS	SCALE
6 or 18 ±0.3	mm	2:1
6 to 18 ±0.5		
18 to 50 ±0.7		
50 to 125 ±1		
125 to 250 ±1.3		
ANGULAR		

ISSUED BY	PART NO.	SCALE
HRS HIROSE ELECTRIC CO., LTD.	D X 30 M - 20 - CV	2:1
	COPE NO. CIL 230H50520H	