



## General Description

LM1117MP-xx/NOPB is a series of low dropout three-terminal regulators with a dropout of 1.3V at 800mA load current. LM1117MP-xx/NOPB features a very low standby current 2mA compared to 5mA of competitor.

Other than a fixed version,  $V_{out} = 1.2V, 1.8V, 2.5V, 2.85V, 3.3V,$  and 5V, LM1117MP-xx/NOPB has an adjustable version, which can provide an output voltage from 1.25 to 12V with only two external resistors.

LM1117MP-xx/NOPB offers thermal shut down function, to assure the stability of chip and power system. And it uses trimming technique to guarantee output voltage accuracy within 2%. Other output voltage accuracy can be customized on demand, such as 1%.

LM1117MP-xx/NOPB is available in SOT-223 power package.

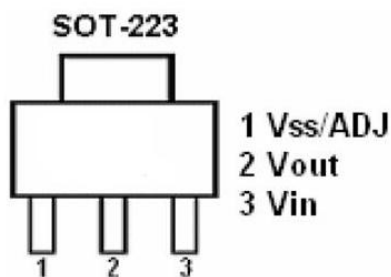
## Features

- Maximum output current is 0.8A
- Range of operation input voltage: Max 15V
- Line regulation: 0.03%/V (typ.)
- Standby current: 2mA (typ.)
- Load regulation: 0.2%/A (typ.)
- Environment Temperature: -20°C ~ 85°C

## Application

- Power Management for Computer Mother Board, Graphic Card
- LCD Monitor and LCD TV
- DVD Decode Board
- ADSL Modem
- Post Regulators For Switching Supplies

## Pin Configuration And Descriptions



## Order Information

Orderable Device	Package	Output Voltage	Packing Option
LM1117MP-xx/NOPB	SOT-223	1.2V, 1.8V, 2.5V, 2.85V, 3.3V, 5.0V, adj	2500/Reel

xx: From 12-50, ADJ



## Absolute Maximum Ratings

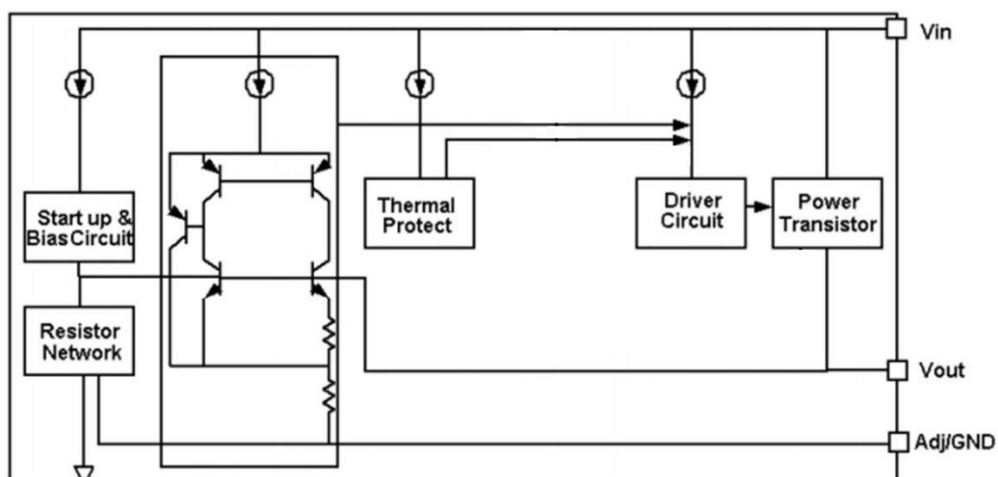
Description	Symbol	Value Range	Unit
MAX Input Voltage	$V_{IN}$	18	V
Max Operating Junction Temperature	$T_j$	150	°C
Storage Temperature	$T_s$	-55~+150	°C
Lead Temperature & Time (10S)		260	°C
Recommended maximum input voltage		15	V
Recommended operating junction temperature	$T_j$	-20~125	°C

Note: Stresses greater than those listed under “Absolute Maximum Ratings” may cause permanent damage to the device. These are stress ratings only, and functional operation of the device at these or any other conditions beyond those indicated under “Recommended Operating Conditions” is not implied. Exposure to “Absolute Maximum Ratings” for extended periods may affect device reliability.

## Heat Dissipation

Description	Symbol	Package	Value Range	Unit
Thermal resistance	$J_A$	SOT-223	20	°C/W

## Block Diagram





DC Characteristics (unless otherwise noted  $T_A = 25^\circ\text{C}$ )

Symbol	Parameter	Conditions	Min	Typ	Max	Unit
Vref	Reference voltage	LM1117MP-ADJ/NOPB $10\text{mA} \leq I_{\text{out}} \leq 800\text{mA}$ , $V_{\text{in}} = 3.25\text{V}$	1.225	1.25	1.275	V
Vout	Output voltage	LM1117MP-12/NOPB $0 \leq I_{\text{out}} \leq 800\text{mA}$ , $V_{\text{in}} = 3.2\text{V}$	1.176	1.2	1.224	V
		LM1117MP-18/NOPB $0 \leq I_{\text{out}} \leq 800\text{mA}$ , $V_{\text{in}} = 3.8\text{V}$	1.764	1.8	1.836	V
		LM1117MP-25/NOPB $0 \leq I_{\text{out}} \leq 800\text{mA}$ , $V_{\text{in}} = 4.5\text{V}$	2.45	2.5	2.55	V
		LM1117MP-285/NOPB $0 \leq I_{\text{out}} \leq 800\text{mA}$ , $V_{\text{in}} = 4.85\text{V}$	2.793	2.85	2.907	V
		LM1117MP-33/NOPB $0 \leq I_{\text{out}} \leq 800\text{mA}$ , $V_{\text{in}} = 5.3\text{V}$	3.234	3.3	3.366	V
		LM1117MP-50/NOPB $0 \leq I_{\text{out}} \leq 800\text{mA}$ , $V_{\text{in}} = 7.0\text{V}$	4.9	5	5.1	V
$\Delta V_{\text{out}}$	Line regulation	LM1117MP-12/NOPB $I_{\text{out}} = 10\text{mA}$ , $2.7\text{V} \leq V_{\text{in}} \leq 10\text{V}$		0.03	0.2	%/V
		LM1117MP-ADJ/NOPB $I_{\text{out}} = 10\text{mA}$ , $2.75\text{V} \leq V_{\text{in}} \leq 12\text{V}$		0.03	0.2	%/V
		LM1117MP-18/NOPB $I_{\text{out}} = 10\text{mA}$ , $3.3\text{V} \leq V_{\text{in}} \leq 12\text{V}$		0.03	0.2	%/V
		LM1117MP-25/NOPB $I_{\text{out}} = 10\text{mA}$ , $4.0\text{V} \leq V_{\text{in}} \leq 12\text{V}$		0.03	0.2	%/V
		LM1117MP-285/NOPB $I_{\text{out}} = 10\text{mA}$ , $4.35\text{V} \leq V_{\text{in}} \leq 12\text{V}$		0.03	0.2	%/V
		LM1117MP-33/NOPB $I_{\text{out}} = 10\text{mA}$ , $4.8\text{V} \leq V_{\text{in}} \leq 12\text{V}$		0.03	0.2	%/V
		LM1117MP-50/NOPB $I_{\text{out}} = 10\text{mA}$ , $6.5\text{V} \leq V_{\text{in}} \leq 12\text{V}$		0.03	0.2	%/V
$\Delta V_{\text{out}}$	Load regulation	LM1117MP-12/NOPB $V_{\text{in}} = 2.7\text{V}$ , $10\text{mA} \leq I_{\text{out}} \leq 800\text{mA}$		2	8	mV
		LM1117MP-ADJ/NOPB $V_{\text{in}} = 2.75\text{V}$ , $10\text{mA} \leq I_{\text{out}} \leq 800\text{mA}$		2	8	mV
		LM1117MP-18/NOPB $V_{\text{in}} = 3.3\text{V}$ , $10\text{mA} \leq I_{\text{out}} \leq 800\text{mA}$		3	12	mV
		LM1117MP-25/NOPB $V_{\text{in}} = 4.0\text{V}$ , $10\text{mA} \leq I_{\text{out}} \leq 800\text{mA}$		4	16	mV
		LM1117MP-285/NOPB $V_{\text{in}} = 4.35\text{V}$ , $10\text{mA} \leq I_{\text{out}} \leq 800\text{mA}$		5	20	mV
		LM1117MP-33/NOPB $V_{\text{in}} = 4.8\text{V}$ , $10\text{mA} \leq I_{\text{out}} \leq 800\text{mA}$		6	24	mV
		LM1117MP-50/NOPB $V_{\text{in}} = 6.5$ , $10\text{mA} \leq I_{\text{out}} \leq 800\text{mA}$		9	36	mV



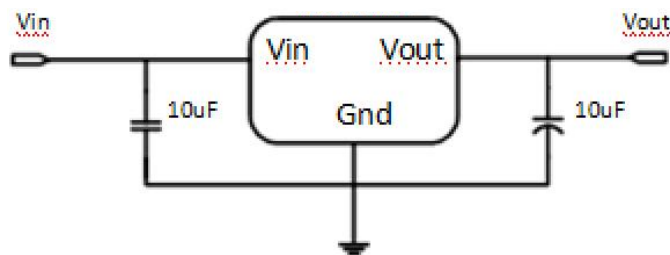
Vdrop	Dropout voltage	Iout =100mA		1.2	1.3	V
		Iout=800mA		1.3	1.5	V
Imin	Minimum load current	LM1117MP-ADJ/NOPB		2	10	mA
Iq	Quiescent Current	LM1117MP-12/NOPB, Vin=10V		2	5	mA
		LM1117MP-18/NOPB, Vin=12V		2	5	mA
		LM1117MP-25/NOPB, Vin=12V		2	5	mA
		LM1117MP-285/NOPB, Vin=12V		2	5	mA
		LM1117MP-33/NOPB, Vin=12V		2	5	mA
		LM1117MP-50/NOPB, Vin=12V		2	5	mA
IAdj	Adjust pin current	LM1117MP-ADJ/NOPB Vin=5V, 10mA ≤ Iout ≤ 800mA		55	120	uA
Ichange	Iadj change	LM1117MP-ADJ/NOPB Vin=5V, 10mA ≤ Iout ≤ 800mA		0.2	10	uA
OTP	Thermal Shutdown	Junction Temperature		+200		°C
	Thermal Shutdown Hysteresis	Junction Temperature		+30		°C
ΔV/ΔT	Temperature coefficient			± 100		ppm
θ <sub>JC</sub>	Thermal resistance	SOT-223		20		°C/W

Note1: All test are conducted under ambient temperature 25°C and within a short period of time 20ms

Note2: Load current smaller than minimum load current of LM1117MP-ADJ/NOPB will lead to unstable or oscillation output.

## Application Circuit

### Basic Circuits



Application circuit of LM1117MP-xx/NOPB fixed version



## Function Description

LM1117MP-xx/NOPB is a series of low dropout voltage, three terminal regulators. Its application circuit is very simple: the fixed version only needs two capacitors and the adjustable version only needs two resistors and two capacitors to work. It is composed of some modules including start-up circuit, bias circuit, bandgap, thermal shutdown, power transistors and its drive circuit and so on.

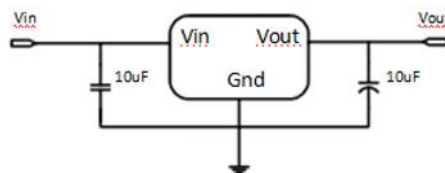
The thermal shut down modules can assure chip and its application system working safety when the junction temperature is larger than 140°C.

The bandgap module provides stable reference voltage, whose temperature coefficient is compensated by careful design considerations. The temperature coefficient is under 100 ppm/°C. And the accuracy of output voltage is guaranteed by trimming technique.

## Typical Application

LM1117MP-xx/NOPB has an adjustable version and six fixed versions (1.2V, 1.8V, 2.5V, 2.85V, 3.3V and 5V)

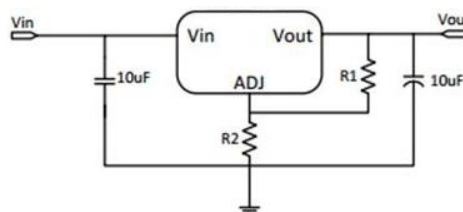
### Fixed Output Voltage Version



Application circuit of LM1117MP-xx/NOPB fixed version

- 1) Recommend using 10uF tan capacitor as bypass capacitor (C1) for all application circuit.
- 2) Recommend using 10uF tan capacitor to assure circuit stability.

### Adjustable Output Voltage Version



Application Circuit of LM1117MP-ADJ/NOPB

The output voltage of adjustable version follows the equation:  $V_{out} = 1.25 \times (1 + R_2/R_1) + I_{Adj} \times R_2$ . We can ignore  $I_{Adj}$  because  $I_{Adj}$  (about 50uA) is much less than the current of  $R_1$  (about 2~10mA).

1) To meet the minimum load current (>10mA) requirement,  $R_1$  is recommended to be 125ohm or lower. As LM1117MP-ADJ/NOPB can keep itself stable at load current about 2mA,  $R_1$  is not allowed to be higher than 625ohm.

2) Using a bypass capacitor ( $C_{ADJ}$ ) between the ADJ pin and ground can improve ripple rejection. This bypass capacitor prevents ripple from being amplified as the output voltage is increased. The impedance of  $C_{ADJ}$  should be less than  $R_1$  to prevent ripple from being amplified. As  $R_1$  is normally in the range of 100Ω~500Ω, the value of  $C_{ADJ}$  should satisfy this equation:  $1/(2\pi \times f_{ripple} \times C_{ADJ}) < R_1$ .



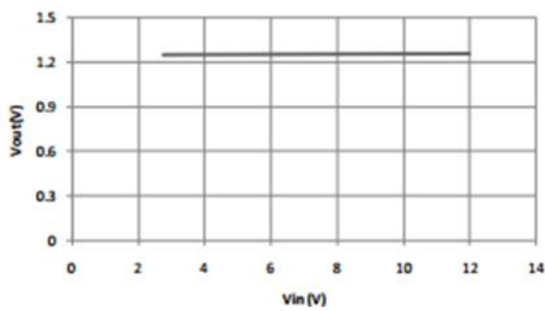
## Thermal Considerations

We have to take heat dissipation into great consideration when output current or differential voltage of input and output voltage is large. Because in such cases, the power dissipation consumed by LM1117MP-xx/NOPB is very large.

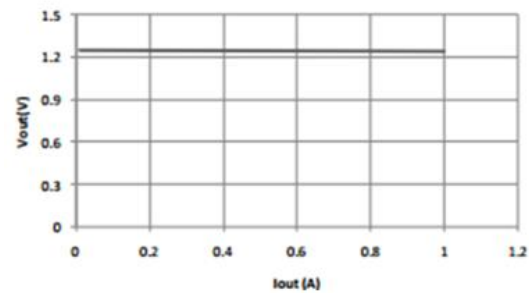
LM1117MP-xx/NOPB series uses SOT-223 package type and its thermal resistance is about  $20^{\circ}\text{C}/\text{W}$ . And the copper area of application board can affect the total thermal resistance. If copper area is  $5\text{cm} \times 5\text{cm}$  (two sides), the resistance is about  $30^{\circ}\text{C}/\text{W}$ . So the total thermal resistance is about  $20^{\circ}\text{C}/\text{W} + 30^{\circ}\text{C}/\text{W}$ . We can decrease total thermal resistance by increasing copper area in application board. When there is no good heat dissipation copper are in PCB, the total thermal resistance will be as high as  $120^{\circ}\text{C}/\text{W}$ , then the power dissipation of LM1117MP-xx/NOPB could allow on itself is less than 1W. And furthermore, LM1117MP-xx/NOPB will work at junction temperature higher than  $125^{\circ}\text{C}$  under such condition and no lifetime is guaranteed.

## Typical Characteristics

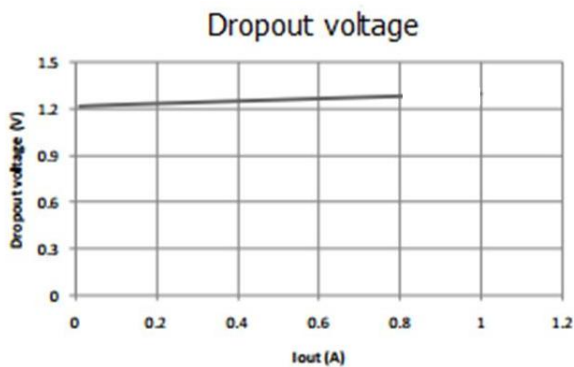
Line regulation



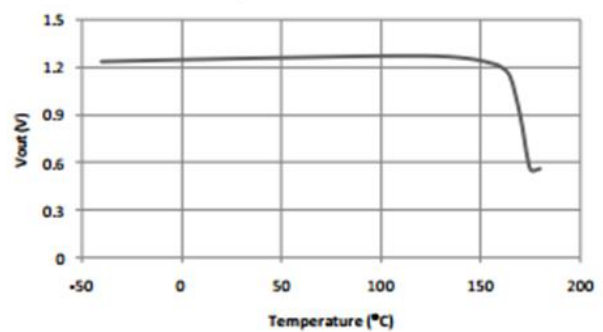
Load regulation



Dropout voltage

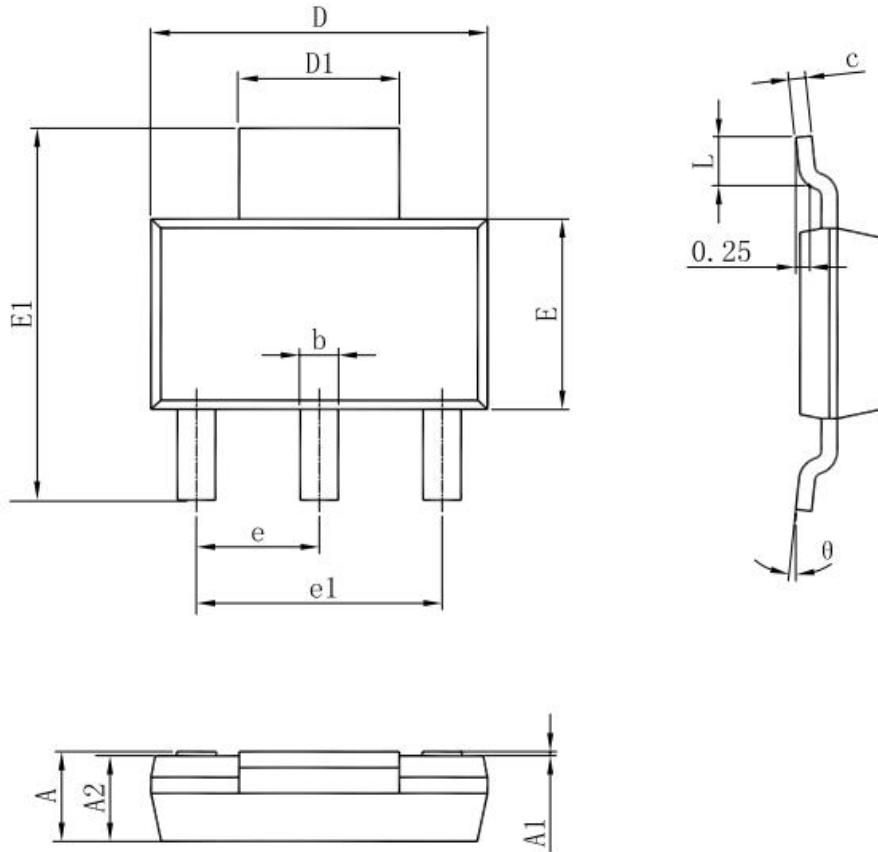


Thermal performance with OTP





### Package Outline Dimensions SOT-223



Symbol	Dimensions In Millimeters		Dimensions In Inches	
	Min	Max	Min	Max
A	1.520	1.800	0.060	0.071
A1	0.000	0.100	0.000	0.004
A2	1.500	1.700	0.059	0.067
b	0.660	0.820	0.026	0.032
c	0.250	0.350	0.010	0.014
D	6.200	6.400	0.244	0.252
D1	2.900	3.100	0.114	0.122
E	3.300	3.700	0.130	0.146
E1	6.830	7.070	0.269	0.278
e	2.300(BSC)		0.091(BSC)	
e1	4.500	4.700	0.177	0.185
L	0.900	1.150	0.035	0.045
θ	0°	10°	0°	10°



### Attention

- Any and all HUA XUAN YANG ELECTRONICS products described or contained herein do not have specifications that can handle applications that require extremely high levels of reliability, such as life-support systems, aircraft's control systems, or other applications whose failure can be reasonably expected to result in serious physical and/or material damage. Consult with your HUA XUAN YANG ELECTRONICS representative nearest you before using any HUA XUAN YANG ELECTRONICS products described or contained herein in such applications.
- HUA XUAN YANG ELECTRONICS assumes no responsibility for equipment failures that result from using products at values that exceed, even momentarily, rated values (such as maximum ratings, operating condition ranges, or other parameters) listed in products specifications of any and all HUA XUAN YANG ELECTRONICS products described or contained herein.
- Specifications of any and all HUA XUAN YANG ELECTRONICS products described or contained herein stipulate the performance, characteristics, and functions of the described products in the independent state, and are not guarantees of the performance, characteristics, and functions of the described products as mounted in the customer's products or equipment. To verify symptoms and states that cannot be evaluated in an independent device, the customer should always evaluate and test devices mounted in the customer's products or equipment.
- HUA XUAN YANG ELECTRONICS CO.,LTD. strives to supply high-quality high-reliability products. However, any and all semiconductor products fail with some probability. It is possible that these probabilistic failures could give rise to accidents or events that could endanger human lives, that could give rise to smoke or fire, or that could cause damage to other property. When designing equipment, adopt safety measures so that these kinds of accidents or events cannot occur. Such measures include but are not limited to protective circuits and error prevention circuits for safe design, redundant design, and structural design.
- In the event that any or all HUA XUAN YANG ELECTRONICS products(including technical data, services) described or contained herein are controlled under any of applicable local export control laws and regulations, such products must not be exported without obtaining the export license from the authorities concerned in accordance with the above law.
- No part of this publication may be reproduced or transmitted in any form or by any means, electronic or mechanical, including photocopying and recording, or any information storage or retrieval system, or otherwise, without the prior written permission of HUA XUAN YANG ELECTRONICS CO.,LTD.
- Information (including circuit diagrams and circuit parameters) herein is for example only ; it is not guaranteed for volume production. HUA XUAN YANG ELECTRONICS believes information herein is accurate and reliable, but no guarantees are made or implied regarding its use or any infringements of intellectual property rights or other rights of third parties.
- Any and all information described or contained herein are subject to change without notice due to product/technology improvement, etc. When designing equipment, refer to the "Delivery Specification" for the HUA XUAN YANG ELECTRONICS product that you intend to use.