

## SMD transformer for vehicle and LAN transformer



### FEATURES

- Compatible with various 10/100 Base-TX transceiver
- Operating Temperature Range: -40~+105°C
- Storage Temperature Range: -50~+125 °C
- Hi-Pot: 1500 Vrms Minimum for 60 seconds

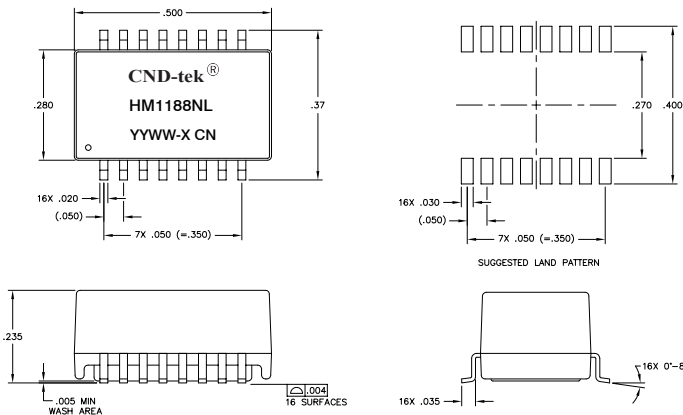
Series/Type: **HM1188NLTP**

### ELECTRICAL SPECIFICATIONS @25°C

OCL	Turns Ratio	Insertion Loss		Return Loss		Cross Talk		CMMR
		@ 1-100MHz	@ 125MHz	@ 5MHz	@ 30-80MHz	@ 1MHz	@ 5-100MHz	
350uH Min	1CT :1CT	-1.0dB Max	-3.0dB Max	-18dB Min	-16+26log <sub>10</sub> (f/30 MHz) dB Min	-62dB Min	-45+21log <sub>10</sub> (f/30 MHz) dB Min	-50+17log <sub>10</sub> (f/5 MHz) dB Min

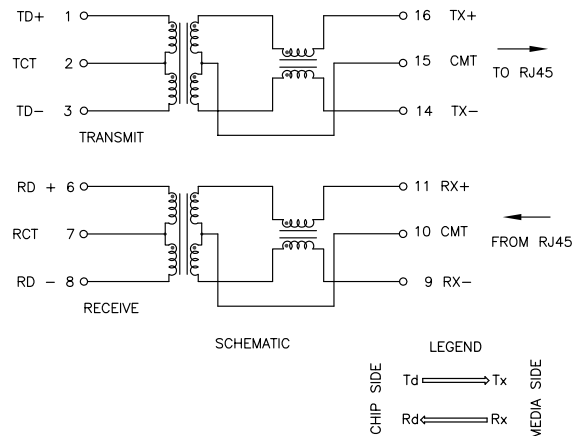
\*Testing Conditions:100KHz 0.1V 8mA DC BIAS

### DIMENSIONS & MARKING



SQUARE BRACKETS DIMENSION: INCHES

### SCHEMATICS



### Soldering and Mounting

A.J-STD-002:Solderability at 245°C Reflow Profile

B. J-STD-020:Level 1,No Moisture Sensitive

C.J-STD-075:R7,245°C Maximum Through Reflow Solder

### Packaging Specifications

