

# RVE series

## ■ 特性 Features

- 105°C2000H, 低阻品 Low impedance.
- 适用于高密度表面安装 Suitable for high-density surface installation.
- 通过降低高频范围内的 ESR, 实现了高纹波电流 By reducing ESR in the high-frequency range, high ripple current has been achieved.



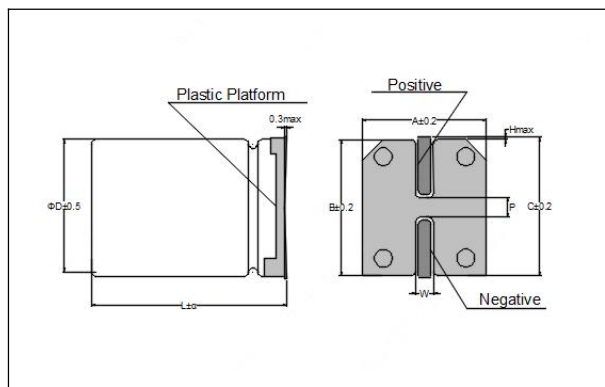
## ■ 仕様 Specifications

项目 Item	条件 Condition		性能 Performance							
使用温度范围 Operating Temperature Range	-		-40°C~+105°C							
额定电压范围 Rated Voltage Range	-		6.3~100V							
额定静电容量范围 Rated Capacitance Range	-		1.0~1500μF							
额定静电容量容许差 Capacitance Tolerance	120Hz, 20°C		±20%							
漏电流 Leakage current	施加额定电压 2 分钟后 After applying rated voltage for 2 minutes		I ≤ 0.01CV 或 3μA (以较大值为准) I ≤ 0.01CV or 3μA (whichever is greater)							
额定电压 Rated Voltage(V)	-		6.3	10	16	25	35	50	63	100
损失角正切值 Dissipation Factor	120Hz, 20°C (Max.)	tan δ	0.26	0.20	0.16	0.14	0.12	0.12	0.10	0.10
		对于超过 1000μF 的产品, 每增加 1000μF, 其值便随之增加 0.02 For products exceeding 1000μF, the value increases by 0.02 per additional 1000μF.								
温度特性 Temperature Characteristics	阻抗率 Impedance Ratio(Max.)	Z <sub>(-25°C)/Z<sub>(+20°C)</sub></sub>	4	3	2	2	2	2	2	3
		Z <sub>(-40°C)/Z<sub>(+20°C)</sub></sub>	10	8	6	5	5	5	6	6
耐久性 Endurance	在 105°C 下, 连续施加额定电压 2000 小时后, 满足以下项目 Under 105°C, apply rated voltage for 2000 hours, The capacitors shall meet the following requirements.									
	静电容量变化率 Capacitance Change	初始值的 ±30% 以内 ≤ ±30% of the initial value.								
	损失角正切值 Dissipation Factor	规格值 300% 以下 ≤ 300% of initial specified value.								
	漏电流 Leakage Current	规格值以下 ≤ Initial specified value.								

# RVE series

## 尺寸图 Dimensions

(Unit: mm)

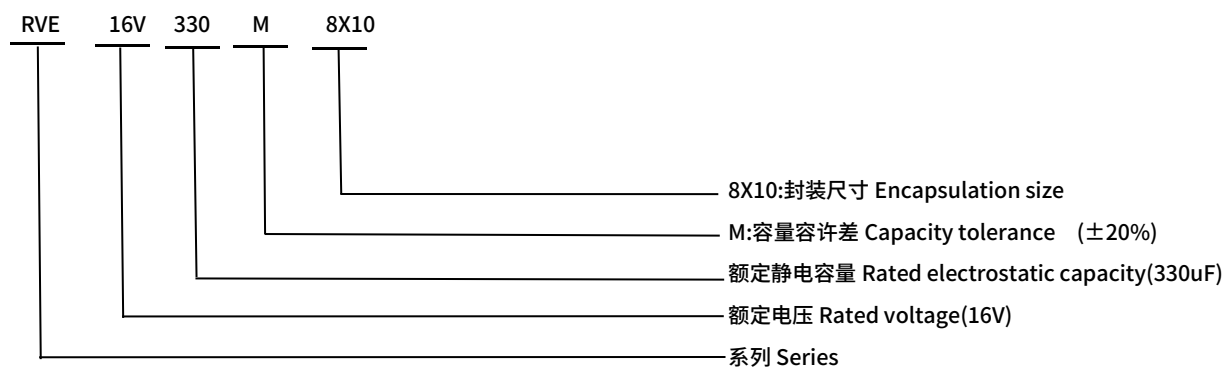


D	L	A	B	C	P	$\alpha$	W
4	5.7	4.3	4.3	5.0	1.0	$\pm 0.3$	0.5-0.8
5	5.7	5.3	5.3	6.0	1.5	$\pm 0.3$	0.5-0.8
6.3	5.7	6.6	6.6	7.3	2.0	$\pm 0.3$	0.5-0.8
6.3	7.7	6.6	6.6	7.3	2.0	$\pm 0.3$	0.5-0.8
8.0	10.5	8.3	8.3	9.0	3.1	$\pm 0.5$	0.7-1.2
10.0	10.5	10.3	10.3	11.0	4.7	$\pm 0.5$	0.7-1.2

## 纹波电流速查表 Ripple Current Quick Reference Table:

频率 Freq.	50Hz	120Hz	300Hz	1kHz	10kHz Up
容值 Cap.					
1~10 $\mu$ F	0.60	1.0	1.15	1.25	1.40
22~1500 $\mu$ F	0.75	1.0	1.10	1.20	1.35

## 品号编码体系 Part Number Coding System (Example: 16V 330 $\mu$ F)



注释: 型号中 R 表示小数点, 如 4R7 表示 4.7 $\mu$ F

Note: "R" in the model number denotes a decimal point (e.g., 4R7 = 4.7 $\mu$ F)

# RVE series

## 电气特性 Electrical characteristics

额定电压 Rated Voltage(V)	额定静电容量 Rated Capacitance( $\mu$ F)	铝壳尺寸 Case Size $\Phi$ DXL(mm)	漏电流 Leakage current ( $\mu$ A,2min)	额定纹波电流 Rated Ripple Current (mA,105°C,120Hz)	阻抗 Impedance ( $\Omega$ ,100KHz)	损失角 正切值 tan $\delta$	品号 Part Number
10	470	6.3X7.7	47	230	0.6	0.2	RVE10V470M6X8
10	1000	8X10.5	100	450	0.43	0.2	RVE10V1000M8X10
16	10	4X5.4	3	60	3	0.16	RVE16V10M4X5
16	330	8X10.5	52.8	450	0.43	0.16	RVE16V330M8X10
16	470	8X10.5	72.5	450	0.43	0.16	RVE16V470M8X10
16	1000	10X10.5	160	670	0.25	0.16	RVE16V1000M10X10
25	10	4X5.4	3	60	3	0.14	RVE25V10M4X5
25	47	6.3X5.4	11.75	140	0.85	0.14	RVE25V47M6X5
25	100	6.3X7.7	25	230	0.6	0.14	RVE25V100M6X8
25	330	8X10.5	82.5	450	0.43	0.14	RVE25V330M8X10
25	470	10X10.5	117.5	670	0.25	0.14	RVE25V470M10X10
35	4.7	4X5.4	3	60	3	0.12	RVE35V4R7M4X5
35	22	5X5.4	7.7	95	1.8	0.12	RVE35V22M5X5
35	47	6.3X5.4	16.4	140	0.85	0.12	RVE35V47M6X5
35	100	6.3X7.7	35	230	0.6	0.12	RVE35V100M6X8
35	220	8X10.5	55	450	0.43	0.12	RVE35V220M8X10
50	10	6.3X5.4	5	70	2	0.12	RVE50V10M6X5
50	100	8X10.5	50	300	0.6	0.12	RVE50V100M8X10
50	220	10X10.5	110	500	0.3	0.12	RVE50V100M10X10