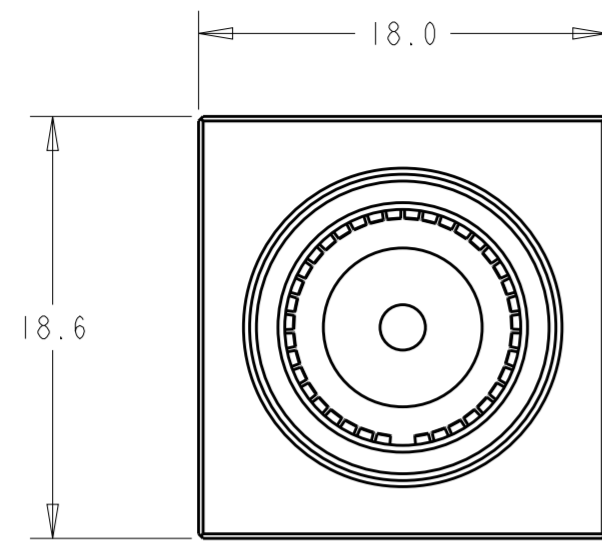


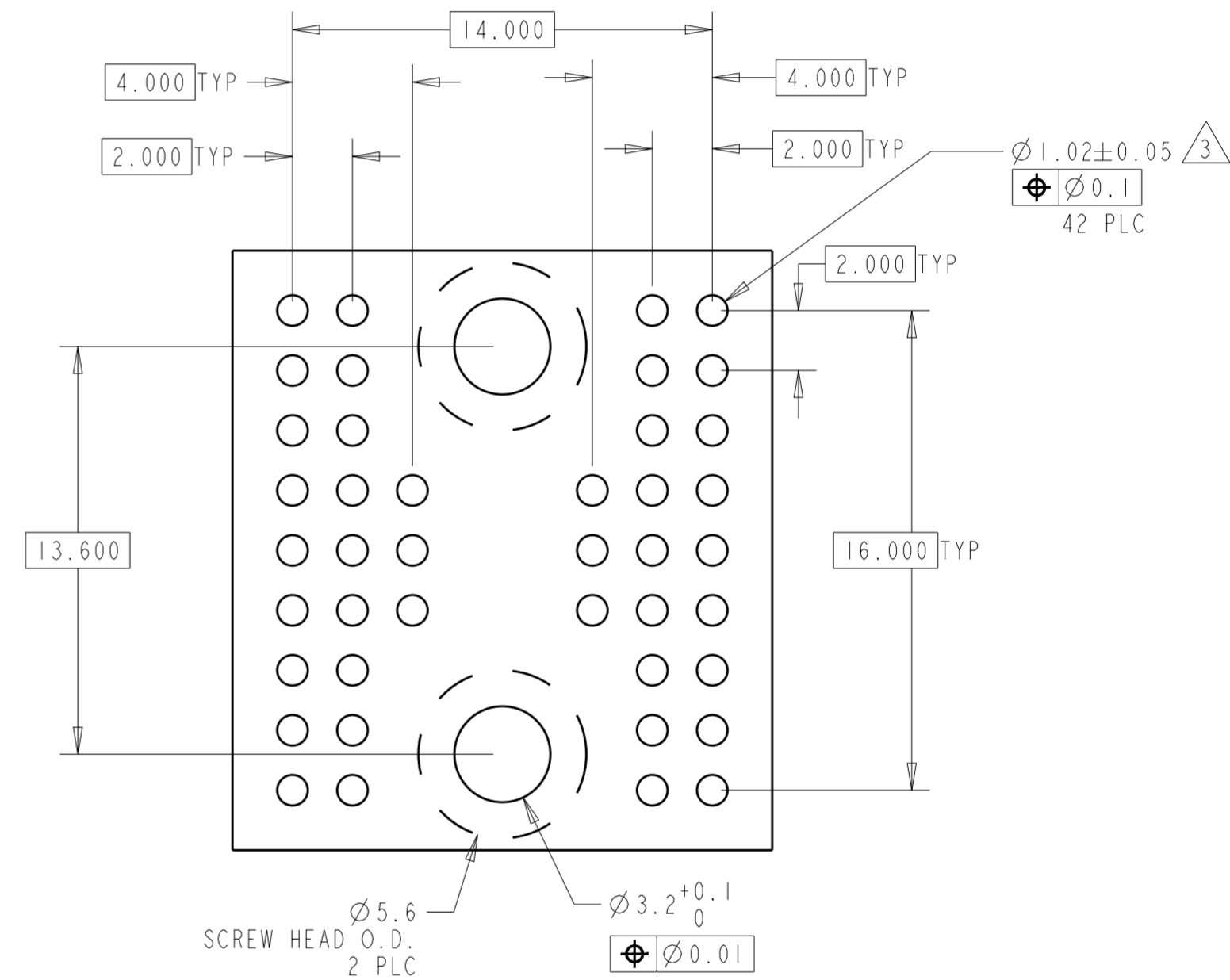
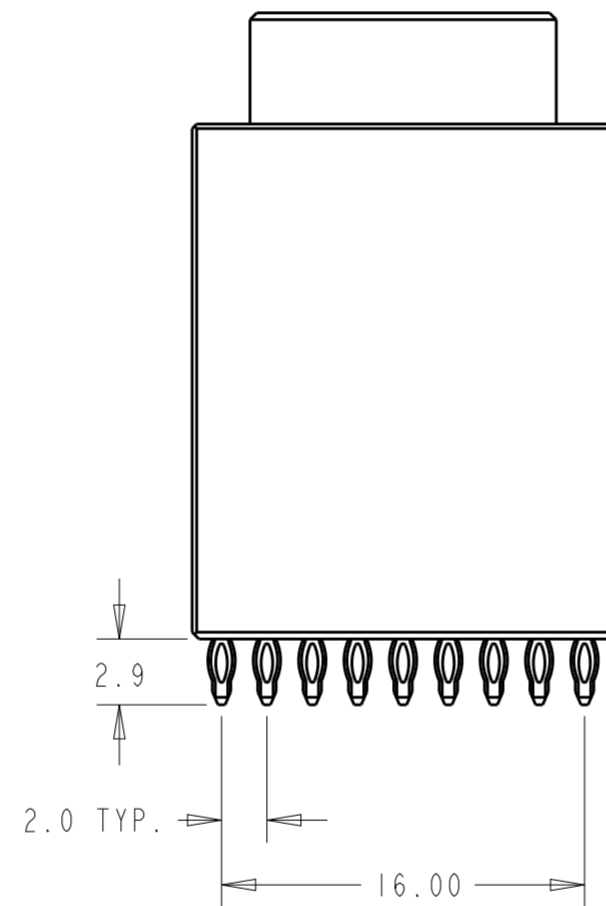
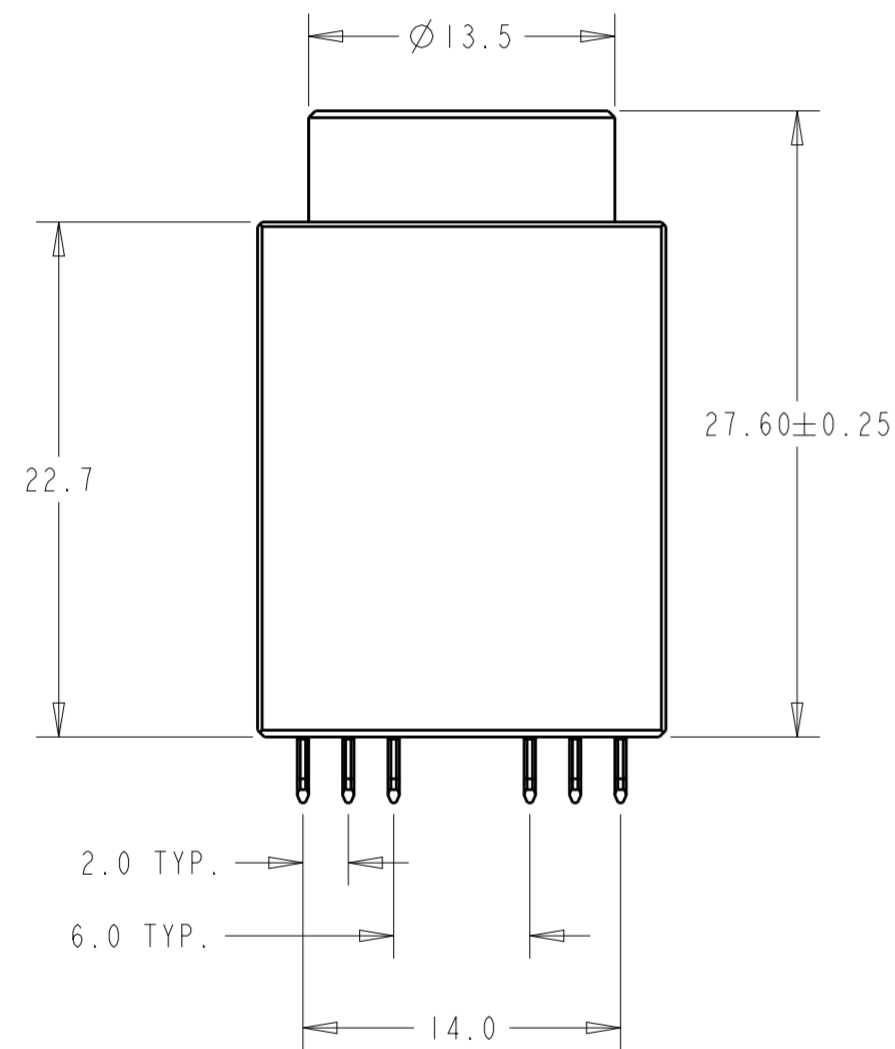
| P | LTR | DESCRIPTION | DATE | DWN | APVD |
|---|-----|-------------|-----------|-----|------|
| | A | RELEASE | 13OCT2020 | AL | SZ |



1. MATERIAL: COPPER ALLOY FOR ROUND SOCKET, SQUARE BODY, AND COMPLIANT PINS.
2. FINISH:
 ROUND SOCKET: 150µIN MIN SILVER OVER 50µIN MIN NICKEL PLATING
 SQUARE BODY: 150µIN MIN NICKLE PLATING
 COMPLIANT PINS: 80µIN MIN TIN OVER 50µIN NICKEL PLATING

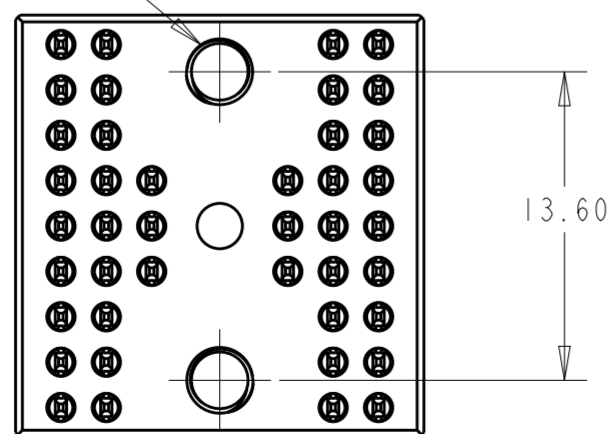
3. RECOMMENDED PCB HOLE SPEC:
 DRILLED HOLE: $\varnothing 1.15 \pm 0.025$ mm
 FINISHED HOLE: $\varnothing 1.02 \pm 0.05$ mm
 COPPER PLATING: 0.03mm MIN PER SURFACE
 TIN PLATING: 0.008mm MIN PER SURFACE

4. ELECTRICAL PERFORMANCE: 300A CURRENT
5. INSTALLATION: APPROX. 230Lbf TO PRESS ASSEMBLY ONTO BOARD
6. RECOMMENDED TORQUE FOR M3 SCREW: 5Kgf*cm



RECOMMENDED PCB LAYOUT
 PCB THICKNESS: 2.00mm MIN

M3*0.5-6H
 THREAD DEPTH 6.0
 OPTIONAL PLATING
 2 PLC



2368390-1 PART NUMBER

| | | | | |
|--|--|--------------------------------|-----------------|--|
| THIS DRAWING IS A CONTROLLED DOCUMENT. | | DWN ANDY LI 06MAY2020 | TE Connectivity | |
| DIMENSIONS: mm | | CHK - | | |
| TOLERANCES UNLESS OTHERWISE SPECIFIED: | | PRODUCT SPEC 108-128111 | | NAME 10.3MM ROUND SOCKET, VERTICAL |
| 0 PLC ± | | APPLICATION SPEC 114-128112 | | SIZE A2 |
| 1 PLC ±0.5 | | WEIGHT - | | CAGE CODE 00779 |
| 2 PLC ±0.15 | | CUSTOMER DRAWING | | DRAWING NO C-2368390-1 |
| 3 PLC ±0.05 | | SCALE 3:1 | | RESTRICTED TO - |
| 4 PLC ±0.0001 | | SHEET 1 | | OF 1 |
| ANGLES ± | | REV A | | |
| FINISH SEE NOTE 2 | | | | |
| MATERIAL SEE NOTE 1 | | | | |