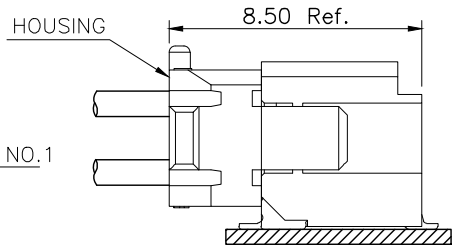
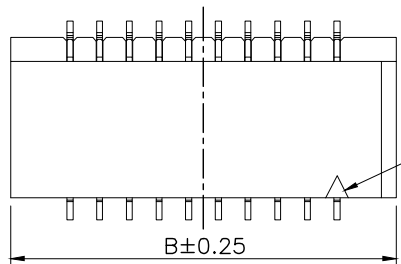
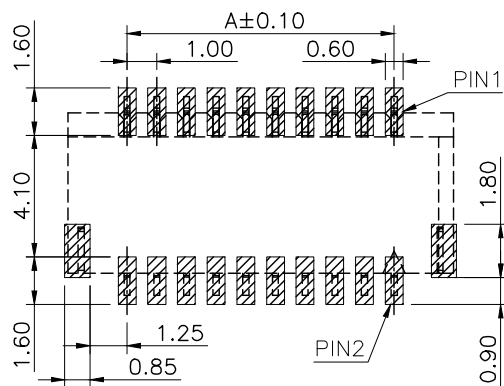
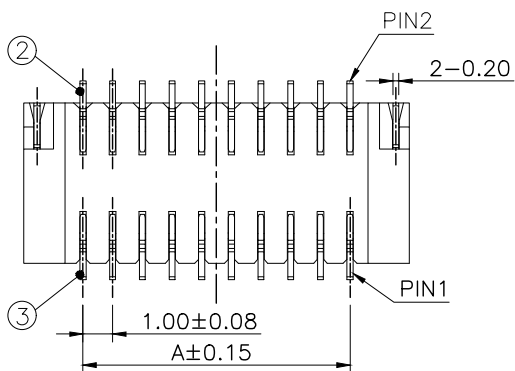
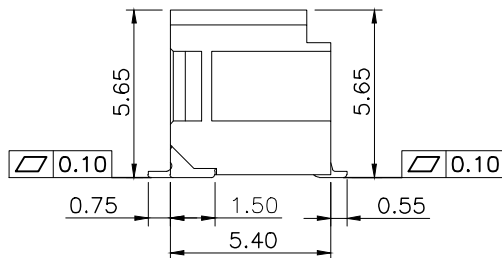
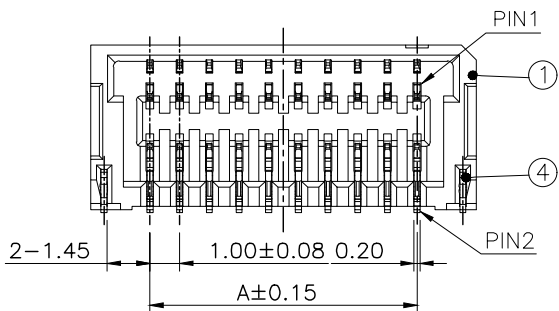


RoHS2.0



ASSEMBLY DIAGRAM



RECOMMENDED P.C.B BOARD LAYOUT ±0.05

NO.	PART NAME	MATERIALS	DESCRIPTION	REMARK	QTY.
1	HOUSING	NYLON UL94-V0	—————	NATURAL/BLACK	1
2	CONTACT PIN	PHOSPHOR BRONZE	G/F,TIN-PLATED	—————	N
3	CONTACT PIN	PHOSPHOR BRONZE	G/F,TIN-PLATED	—————	N
4	SOLDER TAB	BRASS	TIN-PLATED	—————	2

NOTE(UNLESS OTHERWISE SPECIFIED):

- ALL MATERIAL MUST BE COMPLY WITH ROHS2.0.
- PRODUCT PERFORMANCE:

- RATED VOLTAGE(MAX.):50V AC/DC
- RATED CURRENT(MAX.):1A AC/DC(AWG.#28)
- DIELECTRIC STRENGTH:500V AC FOR 1 MINUTE BETWEEN ADJACENT TERMINAL, NO BREAKDOWN
- INSULATION RESISTANCE:100 MΩ MIN.
- CONTACT RESISTANCE:30 mΩ MAX.
- OPERATING TEMPERATURE:-25°C to +85°C

3.PART NO. LEGEND:1WFO2-325XXX-0000X

PIN CODE
FOR EXAMPLE, 012:12PIN

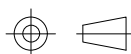
CODE(BLACK)	CODE(NATURAL)	POLES	DIM A	DIM B
△4.0	—————	00002	2*3P	2.00 6.00
△2.0	—————	00002	2*4P	3.00 7.00
△3.0	00003	00002	2*5P	4.00 8.00
△5.0	00003	00002	2*6P	5.00 9.00
△4.0	—————	00002	2*7P	6.00 10.00
—————	00003	00002	2*8P	7.00 11.00
—————	—————	00002	2*10P	9.00 13.00
—————	—————	00002	2*11P	10.00 14.00
△5.0	—————	00002	2*12P	11.00 15.00
—————	—————	00002	2*13P	12.00 16.00
—————	—————	—————	2*15P	14.00 18.00
—————	—————	—————	2*20P	19.00 23.00
—————	—————	—————	2*25P	24.00 28.00

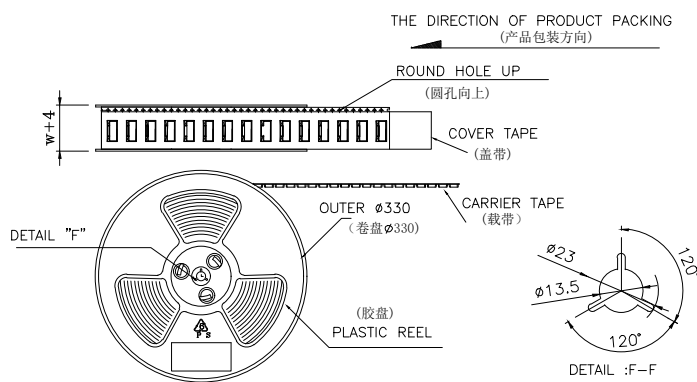
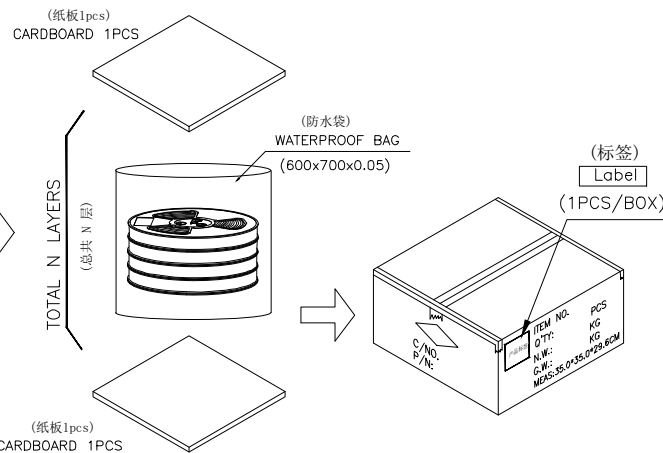
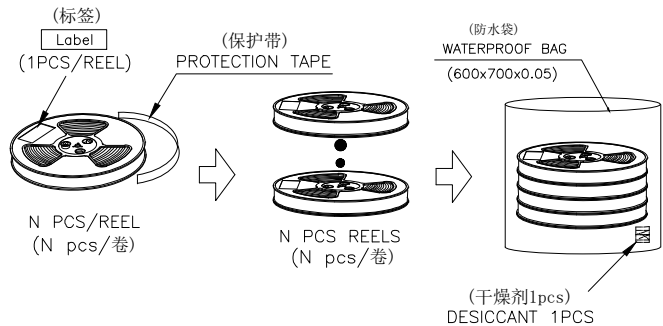
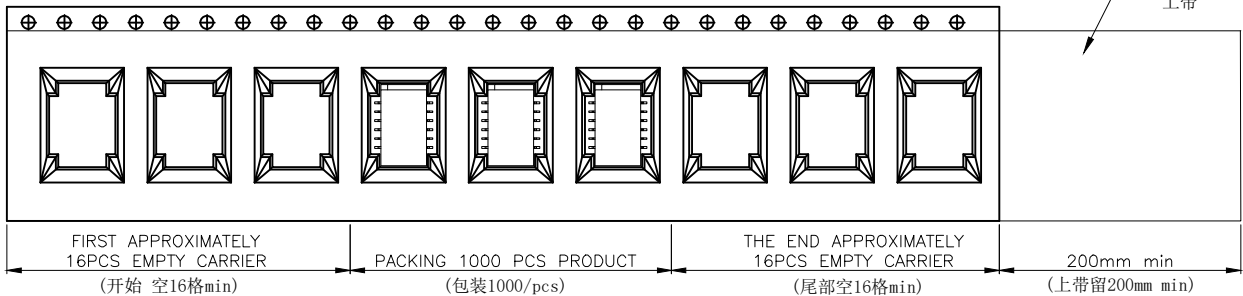
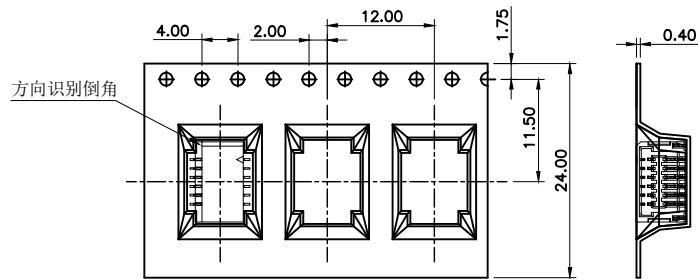
5.0	23.10.10	Newly added product specifications	ZQH
4.0	22.10.12	Newly added product specifications	ZQH
3.0	22.06.24	Update the drawing frame	ZQH
2.0	21.10.29	New specification number	ZQH
1.0	21.03.23	NEW	LWJ
REV.	DATE	DESCRIPTION	DRAWING

DRAWING:	GENERAL TOLERANCE
LWJ	.X*:±0.30 .X*:±2°
CHECKED:	.XX*:±0.20 .XX*:±1°
Tianhai	.XXX*:±0.10 .XXX*:±0.5°
APPROVAL:	UNIT: MM PROJECTION:
Joey	SCALE: 1/1
	SHEET: 1/1

DESCRIPTION: PITCH1.0mm DISCONNECTABLE CRIMP STYLE CONNECFORS		PART NO: 1WFO2-325XXX-0000X		REV: 5.0
		DRAWING NO: UK0479		SIZE: A4

CHIN-BAN
Electronic Technology

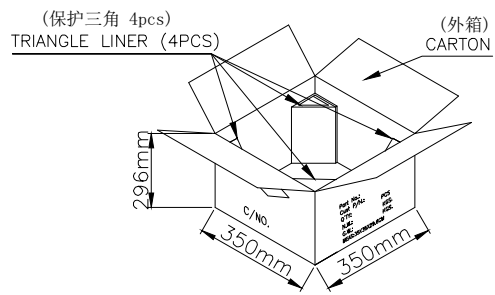




NOTE:(说明)
 1. PEELING OFF FORCE OF COVER TAPE: 0.6-1.0N (盖带剥离力: 0.6-1.0N)
 (PEELING DIRECTION AS SHOWN IN FOLLOWING FIG.)
 (剥离方向如下图所示)
 THIS REQUIREMENT SHOULD BE APPLIED AT SHIPMENT
 (这一要求应在装运时适用)
 PEEL OFF SHOULD NOT BE ALLOWED, DURING TRANSPORTATION.
 (运输过程中不允许剥落。)
 PULL OUT DIRECTION (拉出方向)
 STRIPPING ANGLE (剥离角度)

PACKING INFORMATION: (包装信息)

CODE(黑色)	CODE(自然色)	PIN	W	PCS/REEL	REEL/CARTON	TOTAL	CARTON
	00002	2X3	24.0	1000PCS	9PCS	9000PCS	350*350*296mm
	00002	2X4	24.0	1000PCS	9PCS	9000PCS	350*350*296mm
00003	00002	2X5	24.0	1000PCS	9PCS	9000PCS	350*350*296mm
00003	00002	2X6	24.0	1000PCS	9PCS	9000PCS	350*350*296mm
	00002	2X7	24.0	1000PCS	9PCS	9000PCS	350*350*296mm
00003	00002	2X8	24.0	1000PCS	9PCS	9000PCS	350*350*296mm
	00002	2X10	24.0	1000PCS	9PCS	9000PCS	350*350*296mm
	00002	2X11	32.0	1000PCS	7PCS	7000PCS	350*350*296mm
	00002	2X12	32.0	1000PCS	7PCS	7000PCS	350*350*296mm
	00002	2X13	32.0	1000PCS	7PCS	7000PCS	350*350*296mm



2. MATERIAL: (材料)
 CARRIER TAPE: POLYSTYREN(PS)(载带: PS)
 COVER TAPE: TAPE (盖带: TPE)
 REEL TAPE: PS(卷盘 PS)
 3. PART NUMBER: (料号)
 1WF02-325XXX-0000X
 2:自然色 3:黑色



5.0	23.10.10	增加22/24/26PIN规格	ZengQiuHong	DRAWING: LWJ	GENERAL TOLERANCE .X: =±0.50 .XX: =±0.30 .XXX: =±0.20	.X°: =±2° .XX°: =±1° .XXX°: =±0.5°
4.0	22.10.17	1. 增加2*3PIN/2*7PIN规格 2. 修订包装方式 3. 增加E1376专用包装图	ZengQiuHong			
3.0	22.07.20	1. 增加2*5PIN规格 2. 更新图框	ZQH	CHECKED: Tianhai	UNIT: MM	PROJECTION:
2.0	21.10.30	新增PIN数	ZQH	APPROVAL: Joey	SCALE: 1:1	DESCRIPTION: 1.00mm Wafer 双排 卧式 带扣 系列 包装图
1.0	21.06.23	NEW	LWJ	SHEET: 1/2	SCALE: 1:1	
NO.	DATE	DESCRIPTION	DRAWING			

PART NO:	F-1WF02-325XXX-0000X	REV: 5.0
DRAWING NO:	UT0247	SIZE: A4