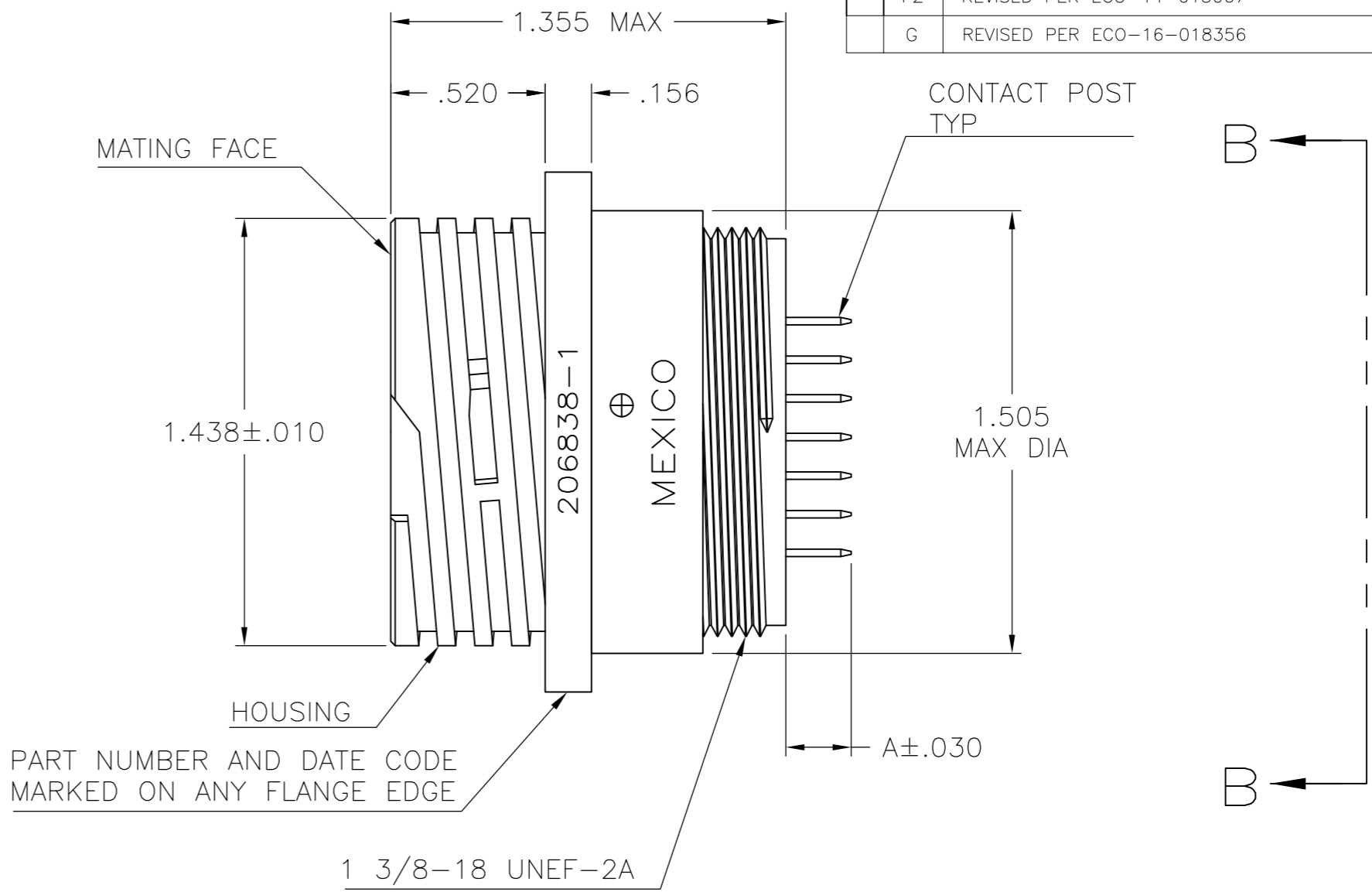
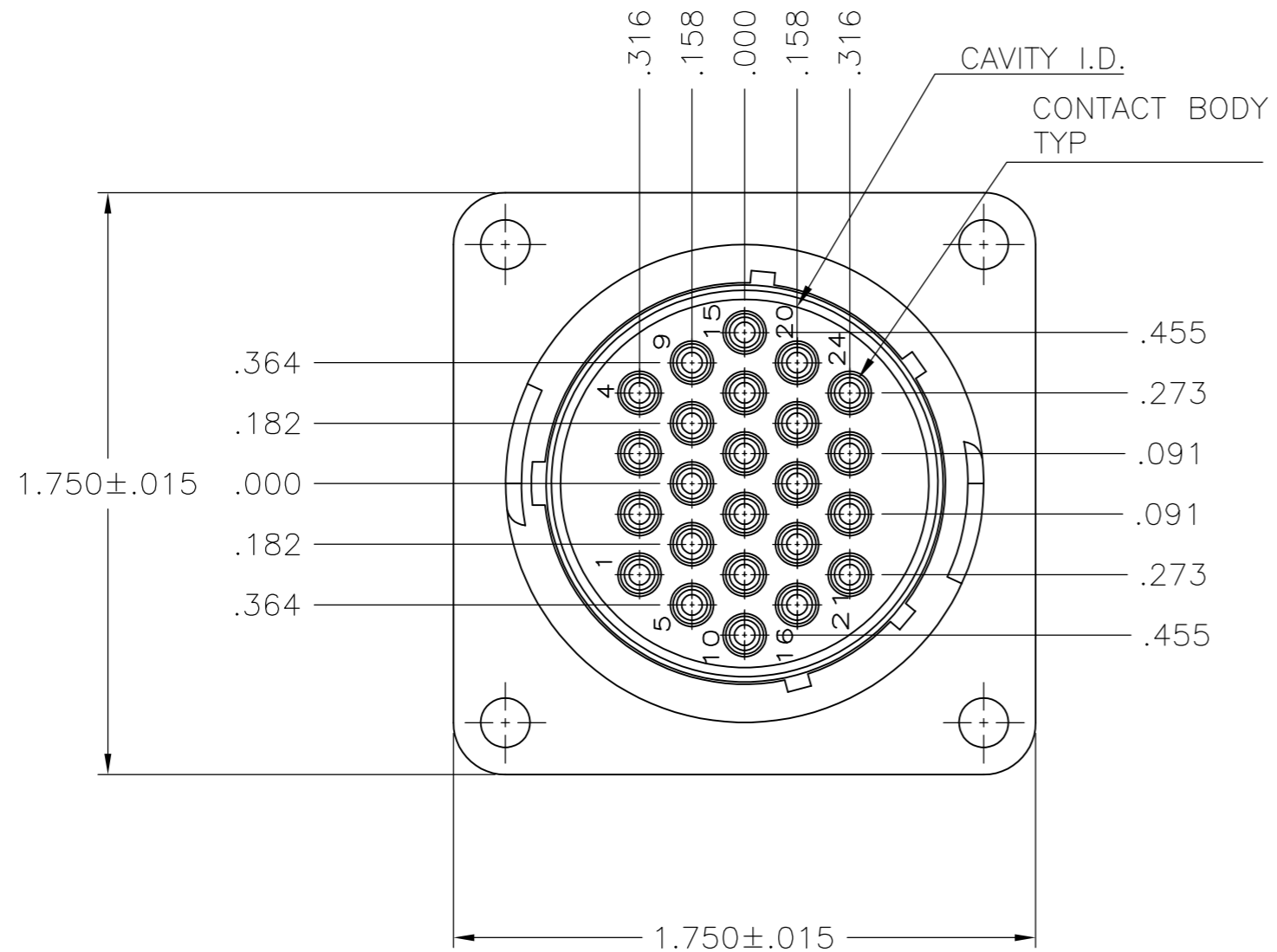
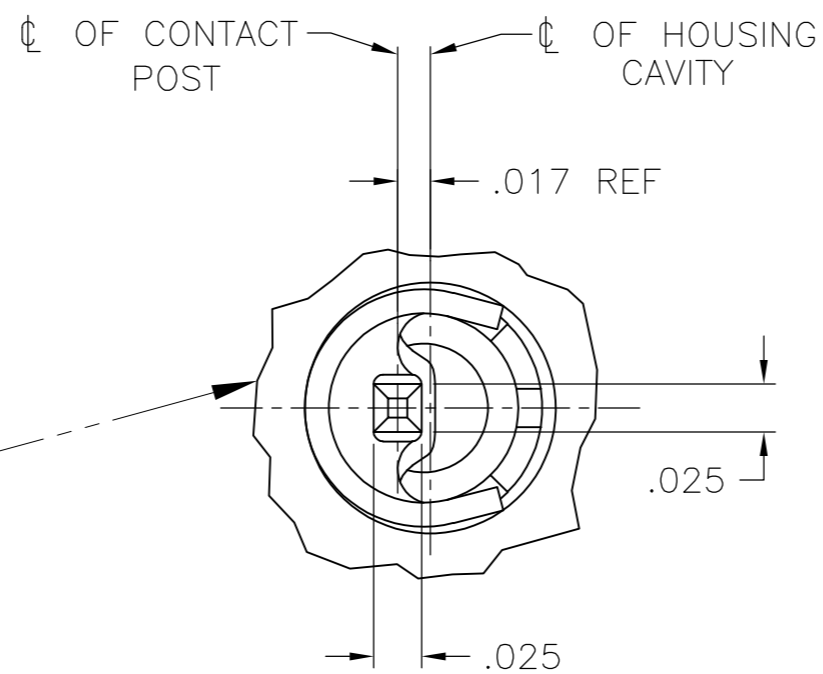
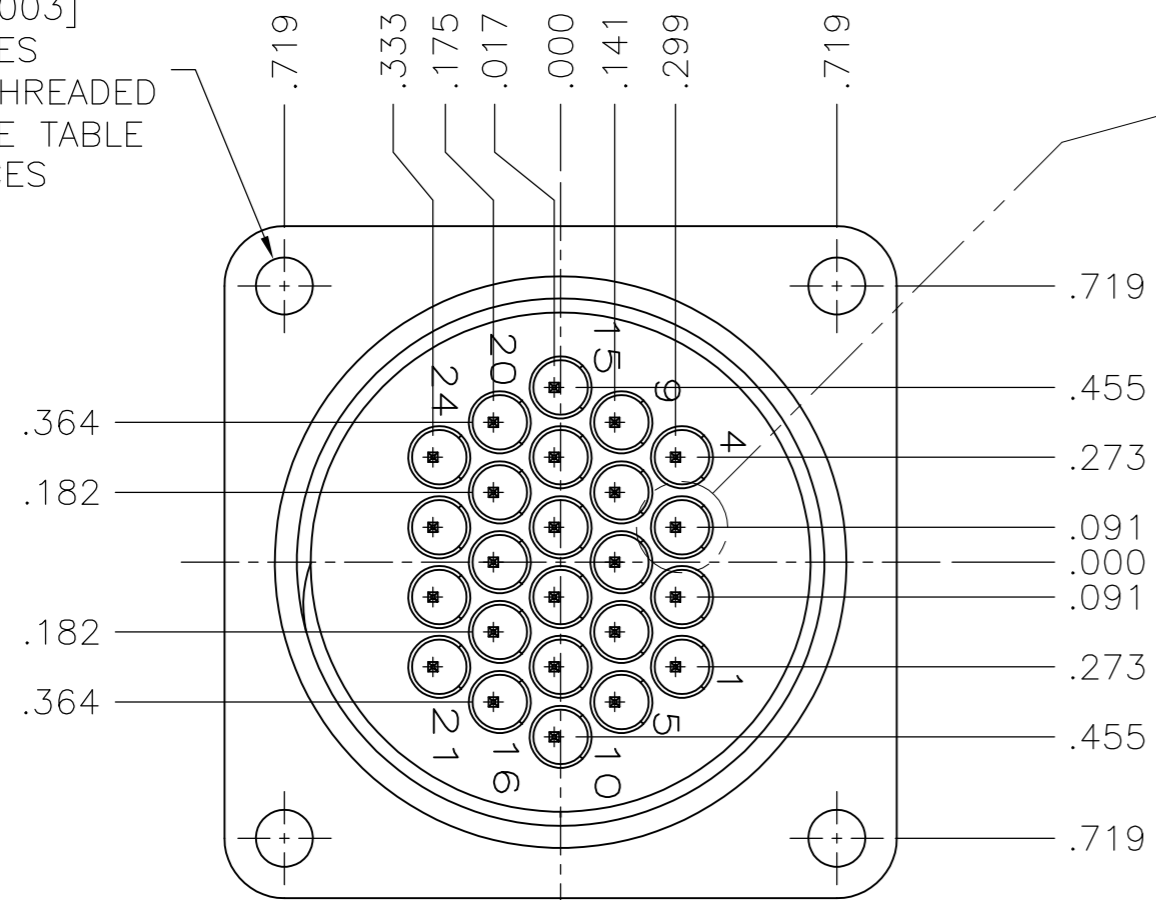


THIS DRAWING IS UNPUBLISHED. RELEASED FOR PUBLICATION
 © COPYRIGHT - By - ALL RIGHTS RESERVED.

REVISIONS				
P	LTR	DESCRIPTION	DATE	APVD
F2		REVISED PER ECO-14-013067	27AUG2014	NK MZ
G		REVISED PER ECO-16-018356	22MAR2017	RS MZ



ø3.81 ± 0.08
 [ø.150 ± .003]
 4 HOLES
 OR #4-40 THREADED
 INSERTS, SEE TABLE
 4 PLACES



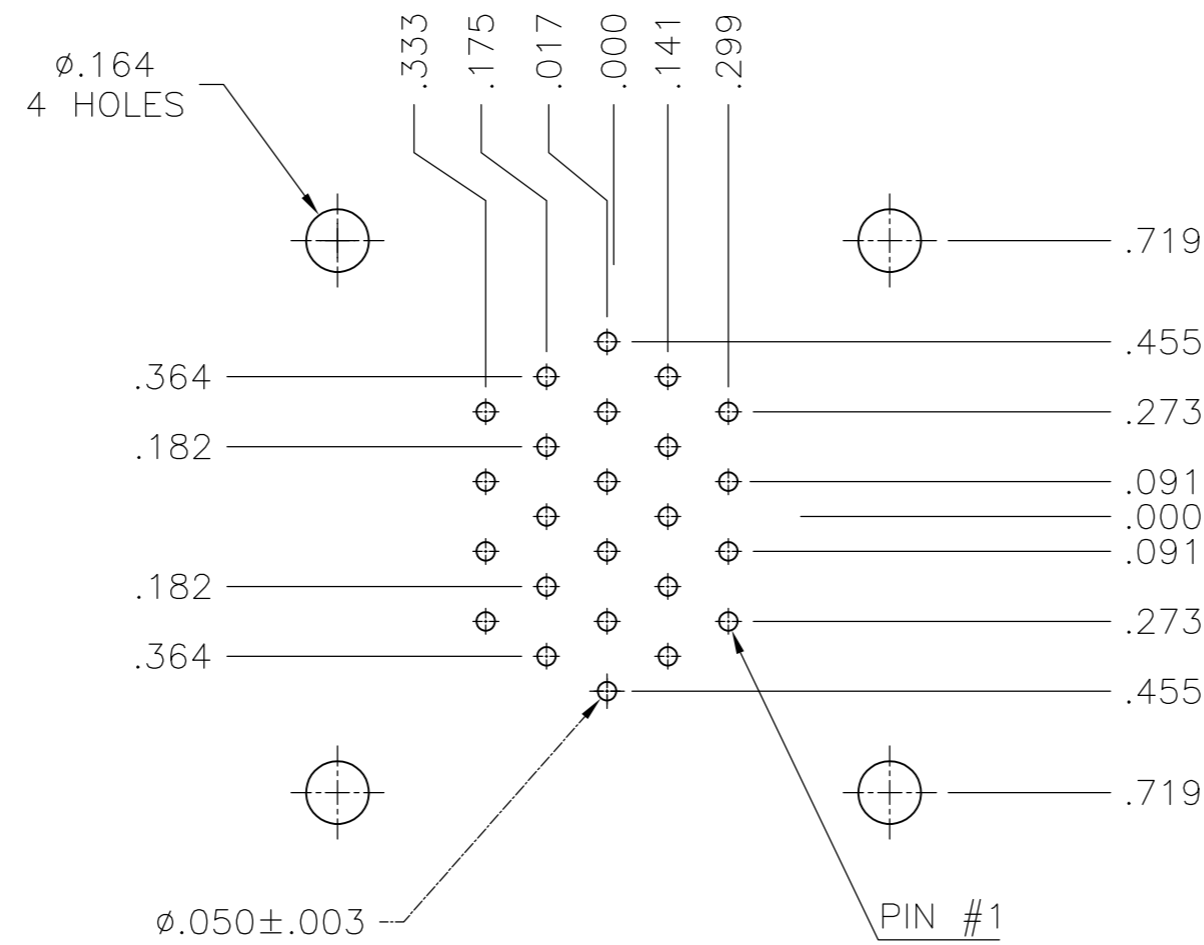
- 1 MATERIALS:
 HOUSING: UL 94V-0, BLACK
 CONTACT SPRING: STAINLESS STEEL
 CONTACT BODY AND POST: BRASS
 4-40 THREADED INSERT: BRASS
- 2 CONTACT BODY: .000030 MIN GOLD FOR A LENGTH OF .200 MIN FROM MATING END. GOLD FLASH ON CONTACT
- 3 CONTACT POST: .000100 MIN TIN-LEAD OVER .000050 MIN NICKEL.
- 4 CONTACT POST: .000100 MIN TIN OVER .000050 MIN NICKEL.
- 5 RECOMMENDED PC BOARD HOLE SIZE FOR CONTACT POST = .050 ± .003 DIA.

DIM A	THREADED INSERTS	POST FINISH	PART NUMBER
.267	YES	4	213780-5
.130	YES	4	213780-4
.220	YES	3	213780-3
.220	NO	4	213780-2
.220	NO	3	213780-1

THIS DRAWING IS A CONTROLLED DOCUMENT.		DWN W.LENKER 08/20/93	TE TE Connectivity	
DIMENSIONS: INCHES		CHK R.STONE 08/24/93		
TOLERANCES UNLESS OTHERWISE SPECIFIED:		APVD -	NAME	
0 PLC ± -	1 PLC ± -	PRODUCT SPEC	RECEPTACLE ASSEMBLY, POSTED, STD SEX, SERIES 1, 23-24, CPC	
2 PLC ± .005	3 PLC ± -	APPLICATION SPEC	SIZE A2	CAGE CODE 00779
4 PLC ± -	ANGLES ± -	FINISH	DRAWING NO C=213780	RESTRICTED TO -
MATERIAL 1		WEIGHT -	SCALE 2:1	SHEET 1 of 2
		CUSTOMER DRAWING	REV G	

THIS DRAWING IS UNPUBLISHED. RELEASED FOR PUBLICATION
 © COPYRIGHT - By - ALL RIGHTS RESERVED.

REVISIONS				
P	LTR	DESCRIPTION	DATE	APVD
-	-	SEE SHEET 1	-	-



RECOMMENDED P.C. BOARD LAYOUT
 BOTTOM SIDE

THIS DRAWING IS A CONTROLLED DOCUMENT.		DWN W.LENKER 08/20/93														
DIMENSIONS: INCHES		CHK R.STONE 08/24/93														
TOLERANCES UNLESS OTHERWISE SPECIFIED:		APVD -	NAME RECEPTACLE ASSEMBLY, POSTED, STD SEX, SERIES 1, 23-24, CPC													
<table border="1"> <tr><td>0 PLC</td><td>± -</td></tr> <tr><td>1 PLC</td><td>± -</td></tr> <tr><td>2 PLC</td><td>± .005</td></tr> <tr><td>3 PLC</td><td>± -</td></tr> <tr><td>4 PLC</td><td>± -</td></tr> <tr><td>ANGLES</td><td>± -</td></tr> </table>		0 PLC	± -	1 PLC	± -	2 PLC	± .005	3 PLC	± -	4 PLC	± -	ANGLES	± -	PRODUCT SPEC 108-10024	SIZE A2	
0 PLC	± -															
1 PLC	± -															
2 PLC	± .005															
3 PLC	± -															
4 PLC	± -															
ANGLES	± -															
MATERIAL 		APPLICATION SPEC 114-10038	CAGE CODE 00779	DRAWING NO C-213780												
FINISH -		WEIGHT -	SCALE 2:1	SHEET 2 of 2												
CUSTOMER DRAWING			RESTRICTED TO -	REV G												