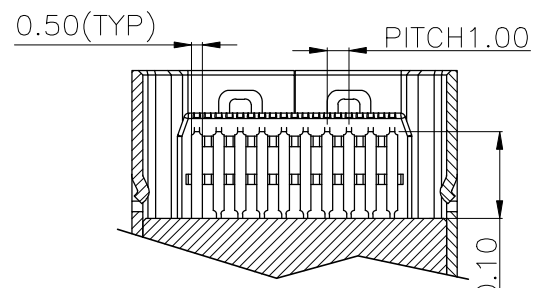
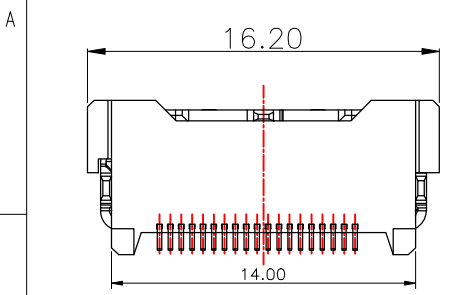
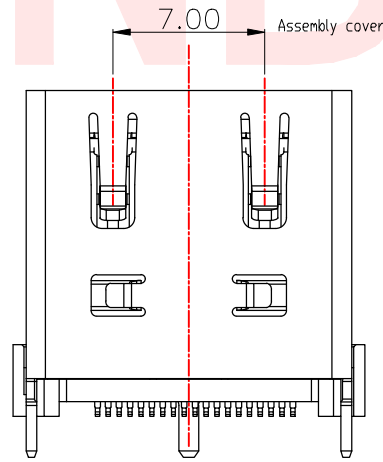
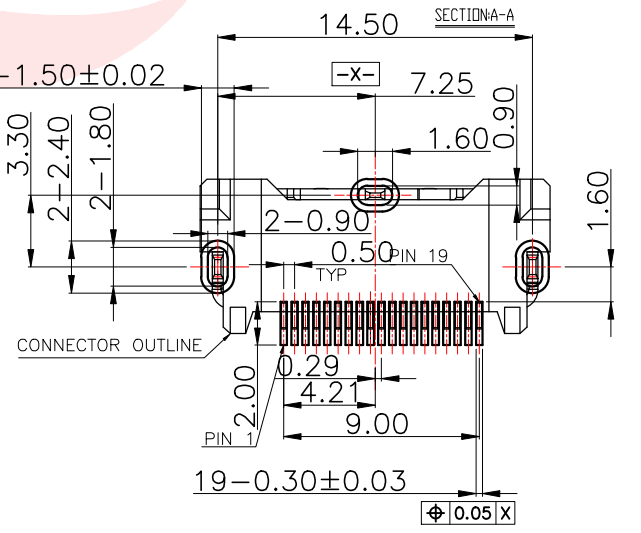
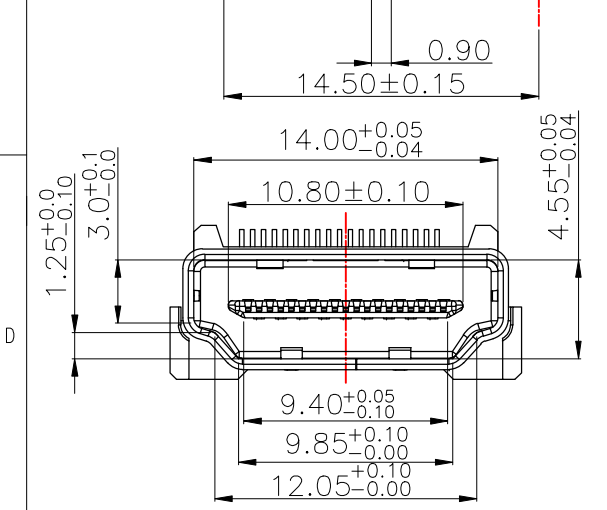
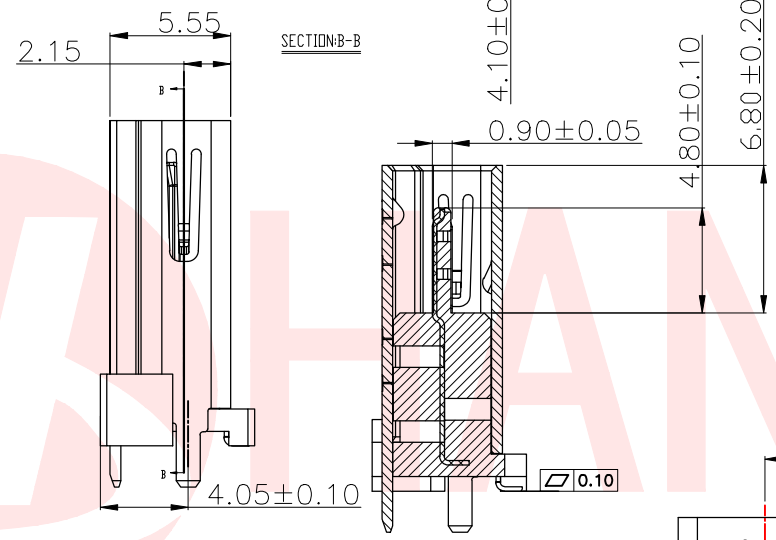
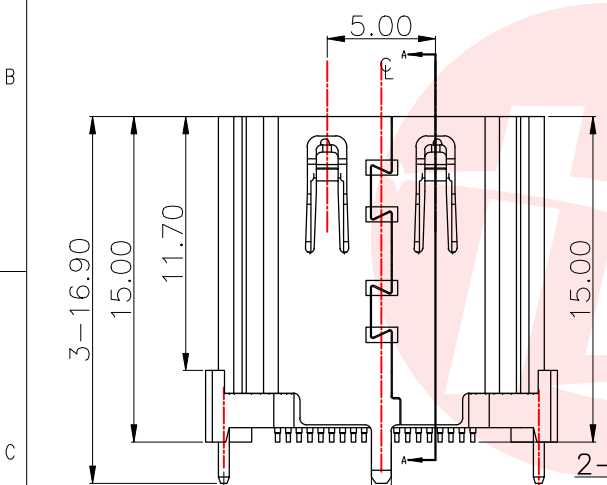




REV.	ECN NO OR DESCRIPTION	REVISED	DATE



- NOTES:**
- MATERIAL:**
 - 1-1 HOUSING:LCP WITH 30% G/F UL 94V-0 COLOR:BLACK.
 - 1-2 CAP:LCP WITH 30% G/F UL 94V-0 COLOR:BLACK.
 - 1-3 TERMINAL:COPPER ALLOY T=0.20mm
 - 1-4 SHELL:SPCC/COPPER ALLOY T=0.50mm
 - PLATING:**
 - 2-1 TERMINAL: (SEE P/N.)GOLD PLATED ON CONTACT AREA AND 100μ" MIN. MATTE-TIN ON SOLDER TAIL, WITH ENTIRE CONTACT UNDERPLATED 80μ" MIN.NICKEL.
 - 2-2 SHELL:50μ" MIN. NICKEL PLATED.
 - MECHANICAL PERFORMANCE**
 - 3-1 INSERTION FORCE: 4.5kgf MAX
 - REMOVAL FORCE: 1kgf MIN; 4.0kgf MAX
 - DURABILITY:5000 CYCLES
 - ELECTRICAL PERFORMANCE:**
 - 4-1 Current Rating: 0.5A
 - 4-2 Voltage Rating: 40V AC
 - 4-3 CONTACT RESISTANCE:INITIAL 30mΩ MAX. AFTER TEST:Δ10 mΩ MAX
 - 4-4 DIELECTRIC STRENGTH:UNMATED CONNECTORS APPLY 500V AC MATED CONNECTOR APPLY 300V AC
 - 4-5 INSULATION RESISTANCE:100 MEGAOHMS MIN.(UNMATED) 10 MEGAOHM'S MIN.(MATED)
 - ENVIRONMENTAL PERFORMANCE:**
 - OPERATING TEMPERATURE: -25°C~+85°C
 - SALT SPRAY:24H



PIN	Signal Assignment	PIN	Signal Assignment
1	TMDS Data2+	2	TMDS Data2 Shield
3	TMDS Data2-	4	TMDS Data1+
5	TMDS Data1 Shield	6	TMDS Data1-
7	TMDS Data0+	8	TMDS Data0 Shield
9	TMDS Data0-	10	TMDS Clock+
11	TMDS Clock Shield	12	TMDS Clock-
13	CEC	14	Utility
15	SCL	16	SDA
17	DDC/CEC Ground	18	+5V Power
19	Hot Plug Detect		

RECOMMENDED P.C.B. LAYOUT (T:1.20~1.60mm)
TOLERANCE UNSPECIFIED ±0.05mm

UNLESS OTHERWISE SPECIFIED TOLERANCES

DECIMALS:	ANGLES:
X :±0.30	X :±2°
X.X :±0.20	X.X :±1°
X.XX :±0.10	

东莞市汉博电子科技有限公司
DONGGUAN HANBO TECHNOLOGY CO., LTD

TITLE	HDMI TYPE A型直立式SMT 10.5/13.0/15.0		
DWN	xiong	PART NO. HDMI-224-H150	
CHKD	lee	SCALE:1:1	UNIT: mm
APVD	wang	SIZE: A4	SHEET:10F 1
			REV: A4
CUSTOMER COPY			