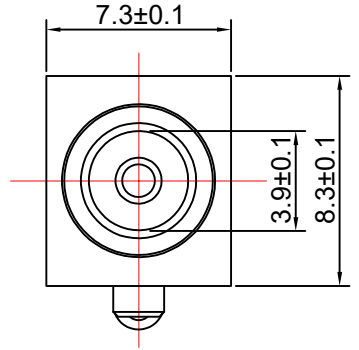
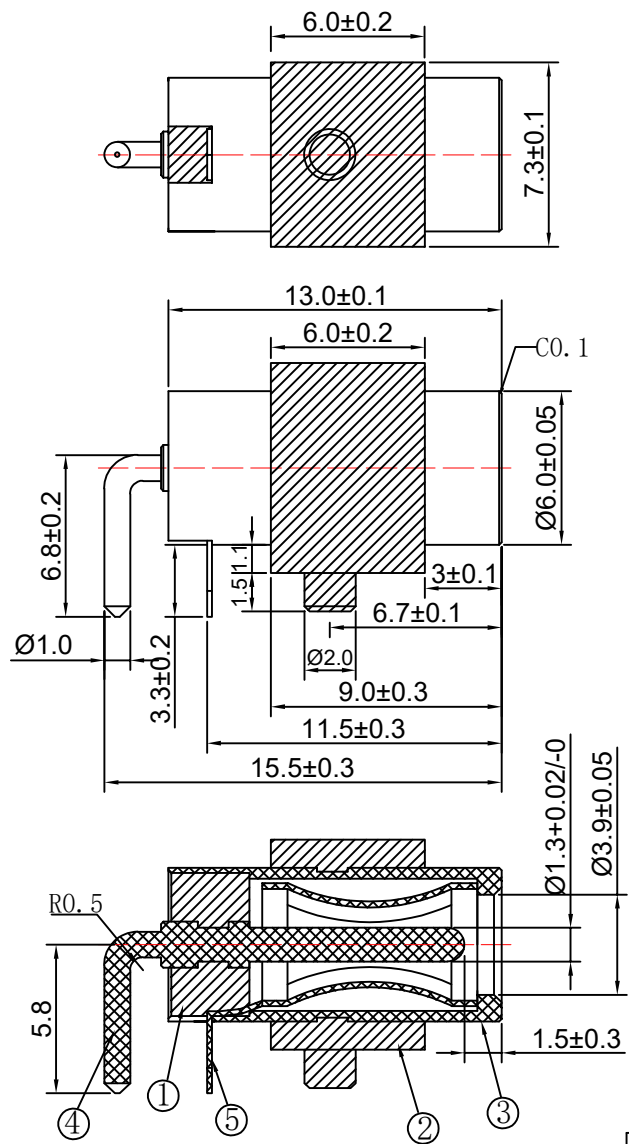
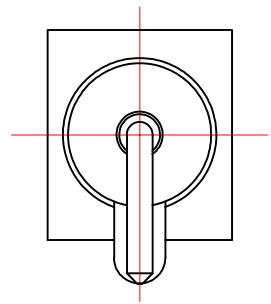


RoHS

REV.	ECN NO.	DESCRIPTION	DESIGN	APPROVAL	DATE
A1	NEW	新版发行	Chen HongJiang	Chen ZhiQiang	2025.05.08



Technology Request:

- 1.Outlook;No burr,no hurt.
- 2.Electronic performance;
 - a.Insulation resistance;Above DC500V/100MΩ;
 - b.Endur voiage;AC500V at 1 minute
 - c.Contact resistance;Under 30mΩ
- 3.Insertion force & withdrawal force;0.3-3kgf
- 4.Salt spray test;24H
- 5.Meet RoHS.
- 6.Remark * is important specification

5	带耳折弯弹圈	C5191	Ni 1-3um
4	针	C3601	Ni 1-3um
3	6*13*3.9管	C3604	Ni 1-3um
2	PLASTIC	PA66	Black
1	PLASTIC	PBT	Black
NO	PART	MATERIAL	PLATING

X.±0.50	X.°±	PART NO: XF-38135JL60-90	XFCN 兴飞连接器			
.XX±0.25	.XX°±					0769-82001899
.XX±0.15	.XX°±					www.xfconn.com
.XXX±0.10	.XXX°±					DWG NO:
UNITS:	mm					
THESE DRAWINGS AND SPECIFICATIONS ARE THE PROPERTY OF XFCN AND SHALL NOT BE REPRODUCED, COPIED OR CUED IN ANY MANNER WITHOUT THE PRIOR WRITTEN CONSENT OF XFCN		APPD	Chen ZhiQiang	VIEW		
		CHKD	Liu Wei	SCALE		
		DRAW	Chen HongJiang	SHEET	1/1	REV
		DATE	2025.05.08	NONE		A1