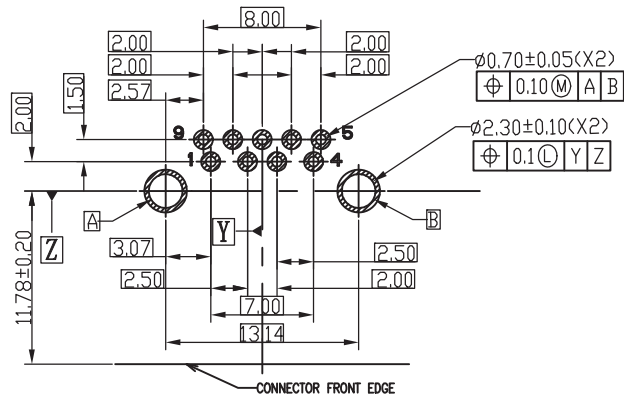
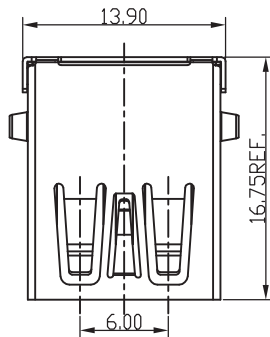
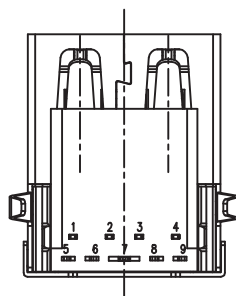
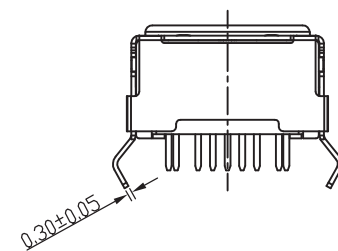
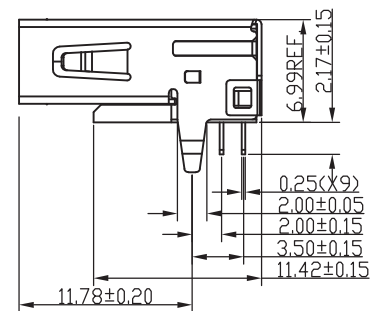
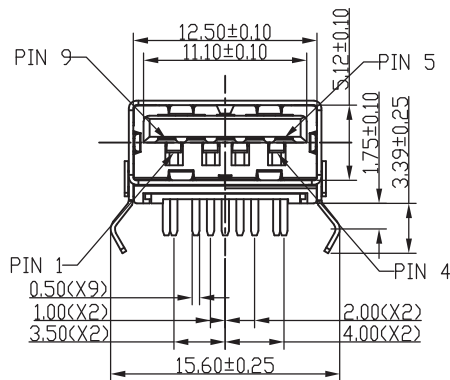


RoHS2.0+REACH



CONNECTOR FRONT EDGE
REFERENCE PCB LAYOUT (THICKNESS: 1.60mm)
TOLERANCE: $\phi \pm 0.05\text{mm}$



Pin #	SIGNAL NAME	DESCRIPTION	MATING SEQUENCE
1	VBUS	POWER	SECOND
2	D-	USB 2.0 DIFFERENTIAL PAIR	THIRD
3	D+		
4	GND	GROUND FOR POWER RETURN	SECOND
5	StdA_SSRX-	SUPERSPEED RECEIVER DIFFERENTIAL PAIR	LAST
6	StdA_SSRX+		
7	GND_DRAIN	GROUND FOR SIGNAL RETURN	
8	StdA_SSTX-	SUPERSPEED TRANSMITTER DIFFERENTIAL PAIR	
9	StdA_SSTX+		
Shell	Shield	CONNECTOR METAL SHELL	FRIST

05	FLAT CONTACT	5	XXX	C2680/ni 1~30U* PLATED
04	SPRING CONTACT	4	XXX	C5191/Au1~30U* PLATED
03	COVER	1	XXX	PA6T&LCP/UL94 V-0 RATED HALOGEN-FREE
02	HOUSING	1	XXX	PA6T&LCP/UL94 V-0 RATED HALOGEN-FREE
01	SHELL	1	XXX	SUS201/T=0.3±0.02mm
ITEM	DESCRIPTION	Q'TY	PART #	MATERIAL/FINISH

DRAWING:

GENERAL TOLERANCE

Frank

.X: = ±0.30 .X': = ±2°
.XX: = ±0.25 .XX': = ±1°
.XXX: = ±0.15 .XXX': = ±0.5°

CHECKED:

yangjie

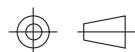
UNIT: MM

PROJECTION:

DESCRIPTION: USB3.0 AF 90度插板过3.1版-弯脚无卷边

APPROVAL:

SCALE: 1:1



PART NO: USB30-AF-002

REV: 1.0

SHEET: 1/1

OLD CODE:

SIZE: A4

DRAWING NO:

NO. DATE DESCRIPTION DRAWING

CHIN-BAN
Electronic Technology