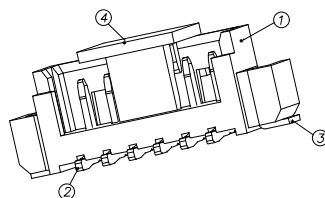
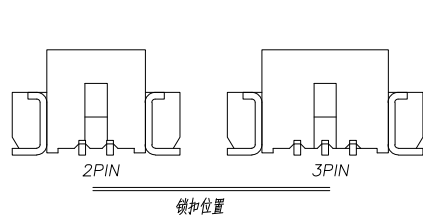
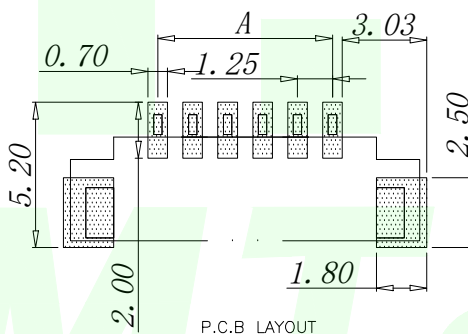
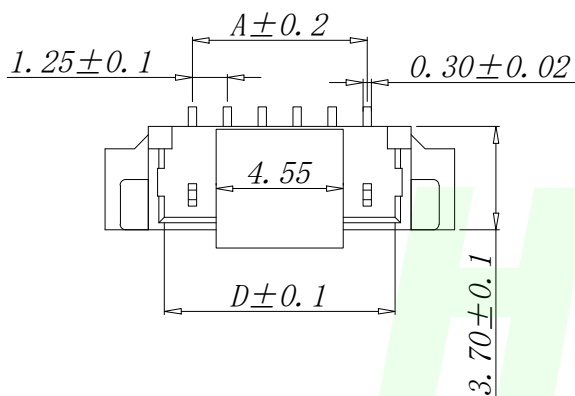
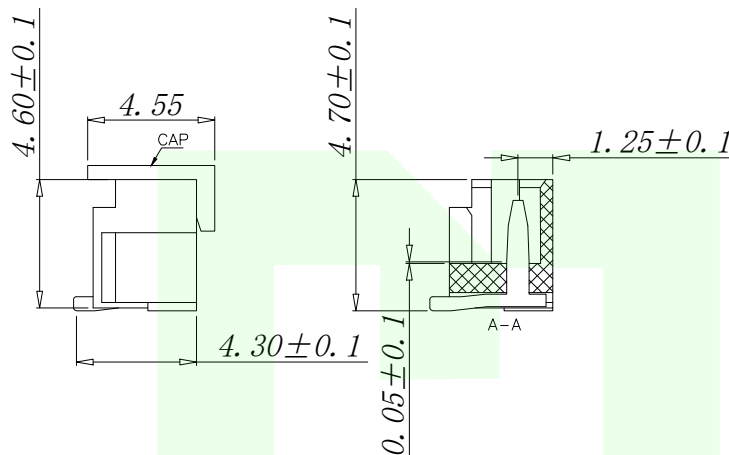
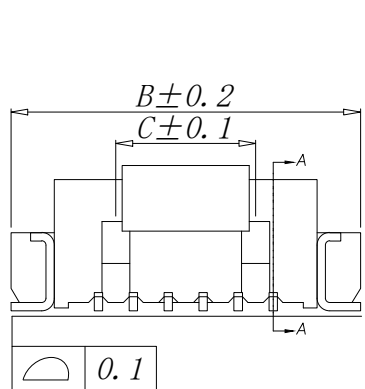


RoHs

1. 塑件表面应光洁、无毛边、无明显收缩、缺陷、裂纹等现象。
2. 锁扣窗口：2~3PIN为1个，≥4PIN为2个。
3. 不同PIN位吸盖加入/取出力有差异，实属正常现象。

VER	MARK	PR. BY	DESCRIPTION	DATE



PIN number variable size comparison table

PART NO	PIN	A	B	C	D
W1252130-2PW2431	2	1.25	7.50	/	3.25
W1252130-3PW2431	3	2.50	8.75	/	4.50
W1252130-4PW2431	4	3.75	10.00	2.50	5.75
W1252130-5PW2431	5	5.00	11.25	3.75	7.00
W1252130-6PW2431	6	6.25	12.50	5.00	8.25
W1252130-7PW2431	7	7.50	13.75	6.25	9.50
.....
W1252130-16PW2431	16	18.75	25.00	17.50	20.75

NOTES:

- 1.BASE: LCP
- 2.PIN: Brass
- 3.Solder Tab: Brass

SPECIFICATIONS:

- 1.Spacing: 1.25
- 2.Voltage Rating: 125V AC DC
- 3.Current Rating: 1A AC DC
- 4.Insulation Resistance: 100MΩ Min
- 5.Contact Resistance: 20mΩ Max
- 6.Withstanding voltage: 500V AC 1/Minute
- 7.Temperatuer Range: -25℃ ~+ 85℃

GENERAL TOLERANCES
UNLESS SPECIFIED



深圳市华明通电子有限公司

Shenzhen Huamingtong Electronics Co., Ltd

X.X ±0.30

X.° ±5°

PART NO.

TITLE:

.XX ±0.20

X.X° ±1°

W1252130-XPW2431

WAFER 1.25 立贴

.XXX ±0.10

X.XX° ±0.5°

DESIGN: James

CUSTOMER

SIZE UNITS

MANUFACTURE DWG

CHED: Talen

A4

MM

APPD: Sophia

SCALE

SHEET



N:A

1/1