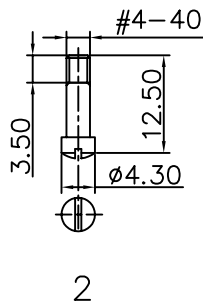
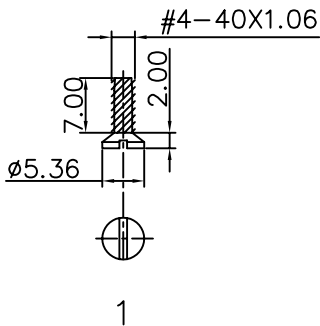
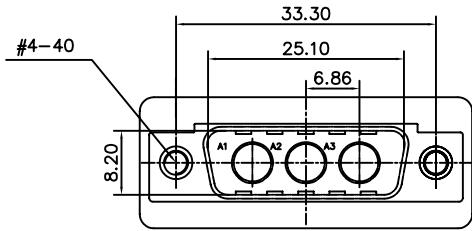
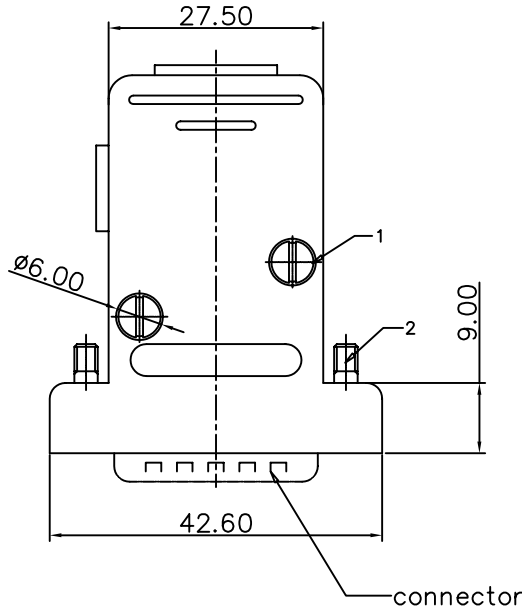
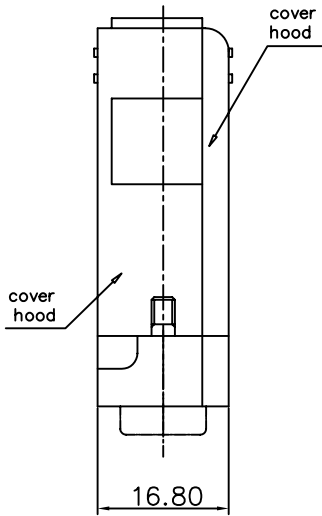


This document is the property of Amphenol Corporation and is delivered on the express condition that it is not to be disclosed, reproduced or used, in whole or in part, for manufacture or sale by anyone other than Amphenol Corporation without its prior consent, & that no right is granted to disclose or to use any information in this document.



REVISIONS

SYM	ECN	DESCRIPTION	DATE	APPROVED
A			06/25/07	

D-SUB TECHNICAL DATA

Hood, plastic, For 15 positions D-SUB connectors
 SHELL : Steel 2.5um(100u") min tin over 1.25um(50u") min nickel
 BODY : Glass filled thermoplastic.
 Flame retardant to UL94 V-0
 COLOUR: Black
 CLIMATIC : Temperature range -30 °C up to 90°C
 MARKING : Amphenol---(Series No.)
 Commercial reference
 Manufacturing date

L 17158806 is only hood, the connector is only for reference

PRODUCT CODE

L 17158806
 ROHS

UNLESS OTHERWISE SPECIFIED TOLERANCES		APPROVAL		DATE
U.S.	METRIC	DRAWN	Asa.peng	06/25/07
.X +/-	0.50	CHECKED	kk.wang	06/25/07
.XX +/-	0.30	CHECKED		
.XXX +/-	0.20			
FRACTIONS +/-				
ANGLES +/-	2'			
FOR MATERIALS AND FINISHES SEE NOTES		DRAWING FILE :		
REMOVE SHARP EDGES		ANGLE OF PROJECTION		
DIMENSIONS				
U.S.	INCHES			
METRIC	MM			

Amphenol		
TITLE hood		
SIZE	DRAWING NO.	REV.
A4	C L17158806	A
SCALE	NONE	SHEET 1 OF 1