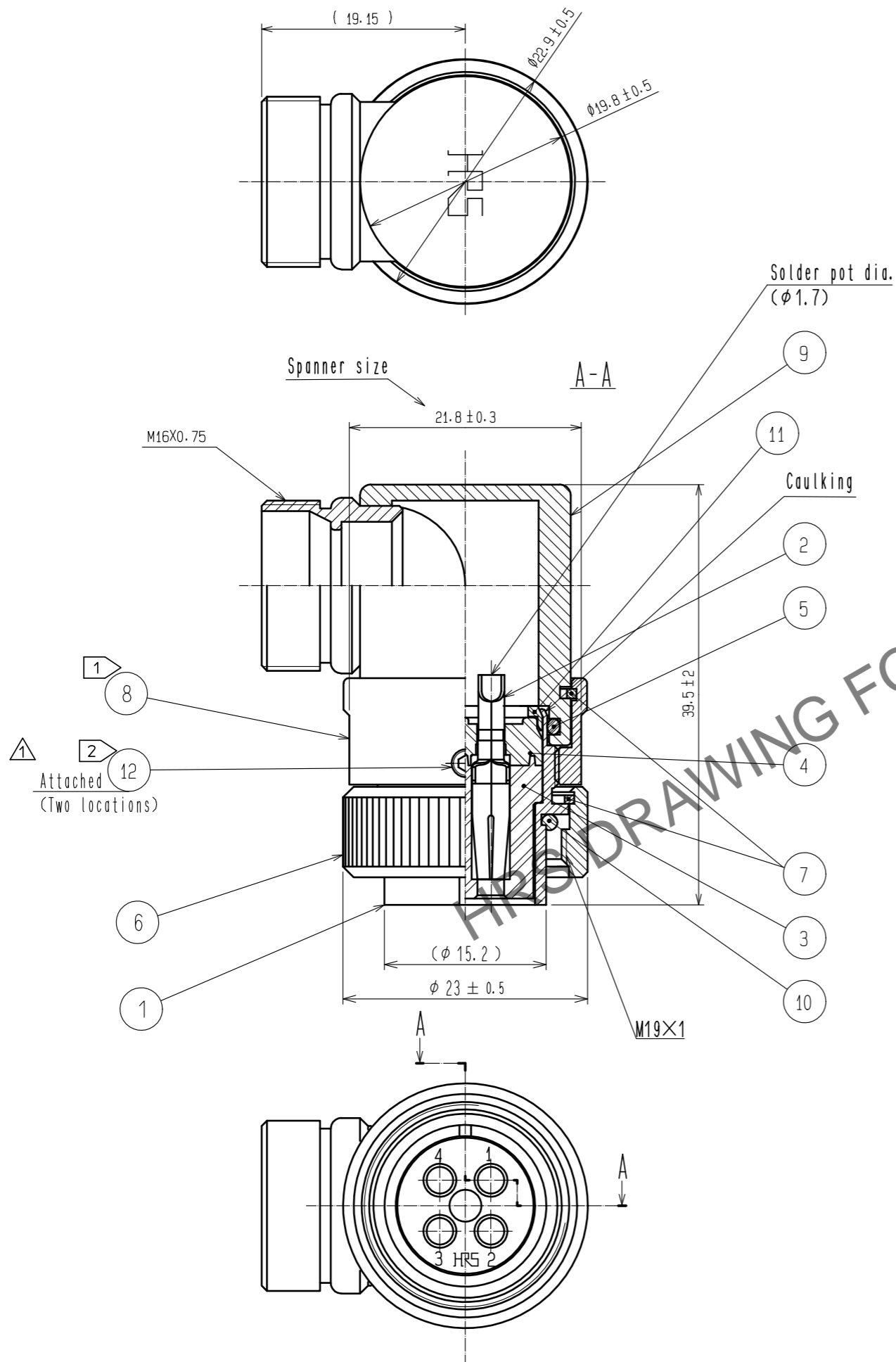


Sep.1.2024 Copyright 2024 HIROSE ELECTRIC CO., LTD. All Rights Reserved.
In case of consideration for using Automotive equipment / device which demand high reliability, kindly contact our sales window correspondents.



- Notes
- ① The recommended clamp torque of ref. No. ⑧ : 3 to 4 N·m. LOCTITE 243, HENKEL JAPAN or equivalent is recommended to prevent from loosening.
 - ② The recommended clamp torque of ref. No. ⑫ : 0.2 to 0.3 N·m. LOCTITE 243, HENKEL JAPAN or equivalent is recommended to prevent from loosening.
 - ③ This products to be used with cable clamp JR13WCC-*(73)
※ designate diameter of applicable cable.
 - ④ Rotation examples of ref. No. ⑥, ⑨ to ref. No. ① is shown.
 - ⑤ The cable pull and twisting strength, waterproof tightness and other characteristics may differ, depending on the cable structure.
Please confirm before the use.

6	BRASS	NICKEL PLATING	12	STAINLESS STEEL	
5	NITRIL BUTADIENE RUBBER	(GRAY)	11	POLYACETAL	(WHITE)
4	PPS	(BLACK) UL94V-0	10	NITRIL BUTADIENE RUBBER	(GRAY)
3	PPS	(BLACK) UL94V-0	9	BRASS	NICKEL PLATING
2	COPPER ALLOY	SURFACE : GOLD PLATING 0.2μm min. UNDER : NICKEL PLATING 3μm min.	8	BRASS	NICKEL PLATING
1	BRASS	NICKEL PLATING	7	PHOSPHOR BRONZE	NICKEL PLATING
NO.	MATERIAL	FINISH . REMARKS	NO.	MATERIAL	FINISH . REMARKS

UNITS mm		SCALE 2 : 1	COUNT 1	DESCRIPTION OF REVISIONS DIS-C-00003899	DESIGNED TY. SUZUKI	CHECKED HY. KOBAYASHI	DATE 20200324
HRS HIROSE ELECTRIC CO., LTD.		APPROVED : HY. KOBAYASHI 20180222	DRAWING NO. EDC-114785-32-00				
		CHECKED : HY. KOBAYASHI 20180222	PART NO. RM15WTL P-4S(32)				
		DESIGNED : HY. KISHI 20180222	CODE NO. CL109-1888-9-32				
		DRAWN : MK. INOUE 20180208			①/1		