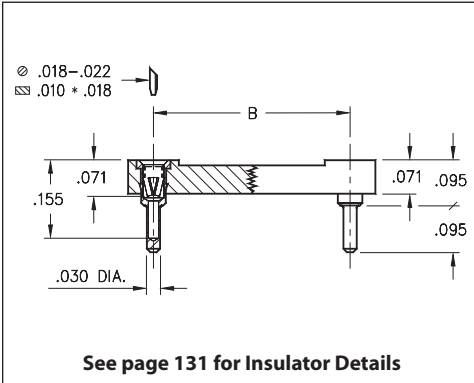
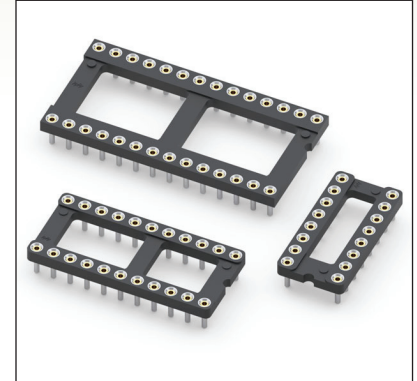


DUAL-IN-LINE SOCKETS

SERIES 115...003 • ULTRA LOW PROFILE • OPEN FRAME



- Our lowest profile DIP socket with an above PCB height of only .095"
- Special short Hi-Rel, 4-finger BeCu #12 contact is rated at 3 amps. See page 252 for details
- Series 115 uses MM #1534 pins. See page 161 for details
- Insulators are high temperature thermoplastic, suitable for all soldering operations
- For Electrical, Mechanical and Environmental Data, see page 264 for details



ORDERING INFORMATION

Total number of pins	Pin Spacing			Quantity per tube	Part Number
	A	B	C		
6	0.3	0.3	0.4	68	115-XX-306-41-003000
8	0.4	0.3	0.4	50	115-XX-308-41-003000
14	0.7	0.3	0.4	28	115-XX-314-41-003000
16	0.8	0.3	0.4	25	115-XX-316-41-003000
18	0.9	0.3	0.4	22	115-XX-318-41-003000
20	1.0	0.3	0.4	20	115-XX-320-41-003000
22	1.1	0.3	0.4	18	115-XX-322-41-003000
24	1.2	0.3	0.4	16	115-XX-324-41-003000
28	1.4	0.3	0.4	14	115-XX-328-41-003000
20	1.0	0.4	0.5	20	115-XX-420-41-003000
22	1.1	0.4	0.5	18	115-XX-422-41-003000
24	1.2	0.4	0.5	16	115-XX-424-41-003000
28	1.4	0.4	0.5	14	115-XX-428-41-003000
24	1.2	0.6	0.7	16	115-XX-624-41-003000
28	1.4	0.6	0.7	14	115-XX-628-41-003000
32	1.6	0.6	0.7	12	115-XX-632-41-003000
36	1.8	0.6	0.7	11	115-XX-636-41-003000
40	2.0	0.6	0.7	10	115-XX-640-41-003000
48	2.4	0.6	0.7	8	115-XX-648-41-003000
50	2.5	0.6	0.7	8	115-XX-650-41-003000

XX=Plating Code
See Below



SPECIFY PLATING CODE XX =	91	93	41	43	44	47
Sleeve (Pin)	200 μ" Sn/Pb	200 μ" Sn/Pb	200 μ" Sn	200 μ" Sn	200 μ" Sn	200 μ" Sn
Contact (Clip)	10 μ" Au	30 μ" Au	10 μ" Au	30 μ" Au	100 μ" Sn	Au Flash