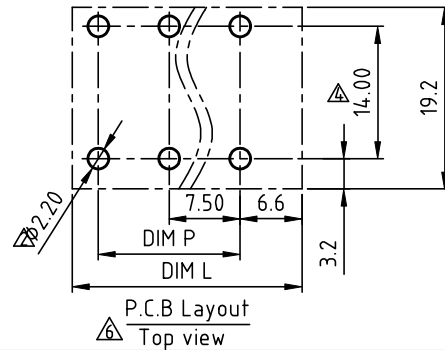
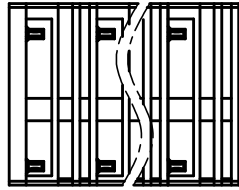
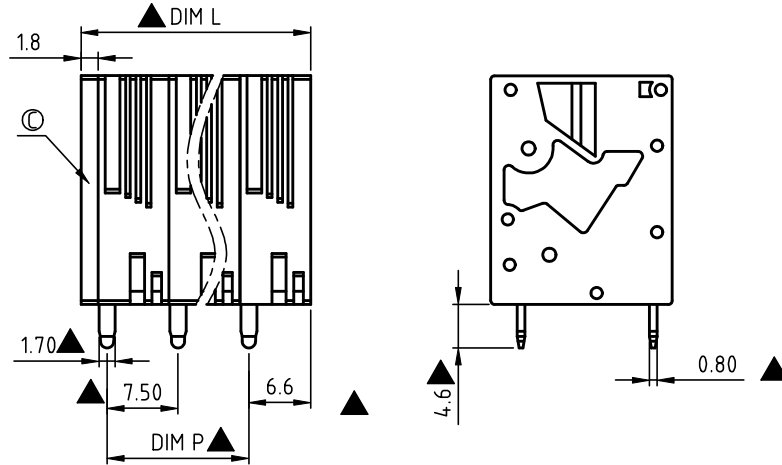
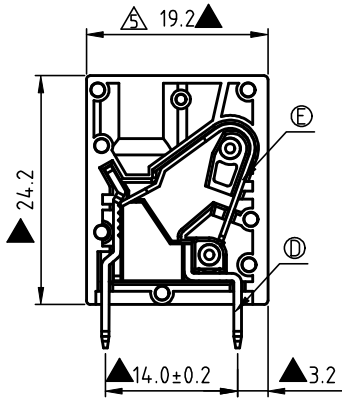
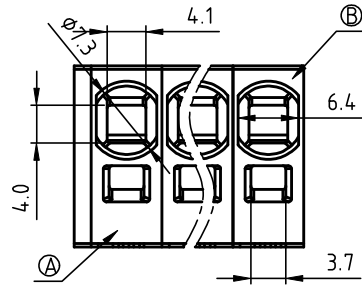


RoHS Compliance



N=NUMBER OF POLES

DIM	TOL			
	1P--6P	7P--12P	13P--16P	
Dim P	(N-1)×7.5	±0.15	±0.25	±0.35
Dim L	N×7.5+1.8	±0.15	±0.25	±0.35

REV.	SIGN	DATE	DESCRIPTION	APPROVER
B	△	09/15`11	The color is changed from RAL7035/D to RAL7004/P	Runner
B	△	09/15`11	The dimension is changed from 2.1 to 2.2	Runner
B	△	09/15`11	The Material is changed	Runner
B	△	09/15`11	The tolerance is changed	Runner
C	△	09/25`13	change the dimension from 18.6&2.6 to 19.2&3.2	Da cheng
C	△	09/25`13	change the electrical specification	Da cheng
D	△	11/21`22	Add Safety Approval TUV	Johnson

THIS IS CAD DRAWING, DO NOT REVISE MANUALLY!!!

Material:

- Item A Terminal body: Thermoplastic (UL94V-0)
 - Item B Terminal side body: Thermoplastic (UL94V-0)
 - Item C Terminal cover: Thermoplastic (UL94V-0)
 - △ ● Item D Contact pin : Copper, Tin Plated.
 - Item E Spring clamp : Stainless steel
- △ △ Electrical: cULus TUV(EN/IEC60998-2-2)
- Voltage rating: 300 V 450 V
 - Current rating(Sol): 30 A 41 A
 - Current rating(Str): 35 A 41 A
 - Solid wire(AWG): 10-24 0.2mm²-10mm² (IEC)
 - Stranded wire(AWG): 8-24 0.2mm²-6mm² (IEC)
 - Wire strip length: 15- 16 mm
 - Withstanding Voltage: 1.6KV 2.5KV
 - Operating temperature: -40°C to +120°C
 - Soldering temperature: 260°C±5°C/5 Sec
 - Safety Approval:
 - Critical dimension:

NK xx A 0 x 0 xxxx G

End Stackable
01: 1 POLES
02: 2 POLES
:
16: 16 POLES

- △ Body Color
- 0 Black (RAL9005)
 - 2 Red (RAL3001/D)
 - 3 Orange(RAL2011/P)
 - 4 Yellow(RAL1018/A)
 - 5 Green(RAL6018/T)
 - 6 Blue (RAL5015/A)
 - △ 8 Grey(RAL7004/P)
 - 9 White(RAL1102)
 - C Multiple colors

RoHS compliant (lead<4%)
In copper Alloy
0000: "@ " Logo (Standard)
000A: "ANYTEK" Mark
Any special item by customer request.
please contact sales department.

Amphenol ANYTEK

CUSTOMER COPY

ALL RIGHTS RESERVED. REPRODUCTION OR ISSUE TO THIRD PARTIES IN ANY FORM WHATSOEVER IS NOT PERMITTED WITHOUT WRITTEN AUTHORITY FROM THE PROPRIETOR. PROPERTY OF ANYTEK TECHNOLOGY CO., LTD

TITLE				NK 7.5mm Series Vertical (Double tail A type)(平行脚)			
PART NO.		NKxxA0x0xxxxG		DWG NO.		BNK0001	
APPROVED	CHECKED	DESIGNED	DRAWN	CUST NO.		Tolerance	
		Johnson	Johnson			X.	±0.50
		2022.12.21	2022.12.21			X.X	±0.30
				SHEET: 01/01		UNIT: mm	X.XX ±0.10
				REV.: D		SCALE: NONE	X° ±1°