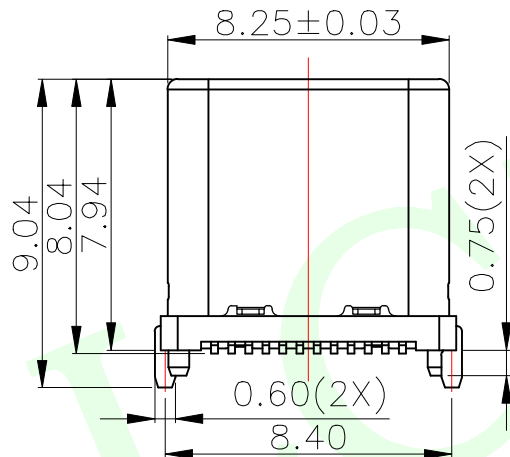
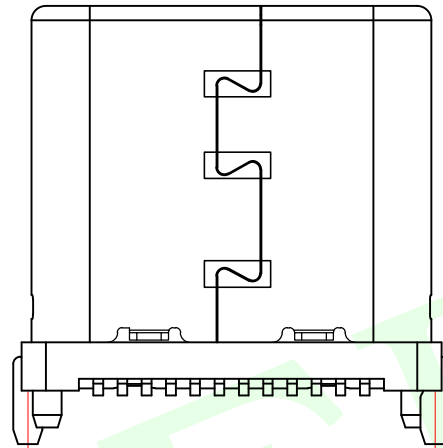
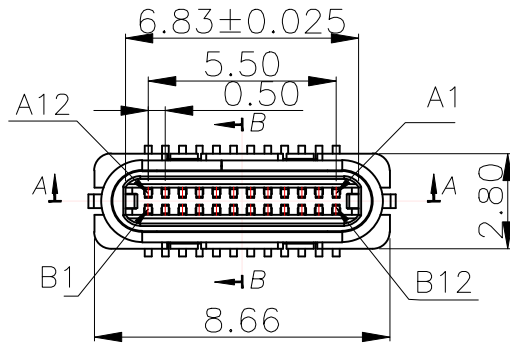
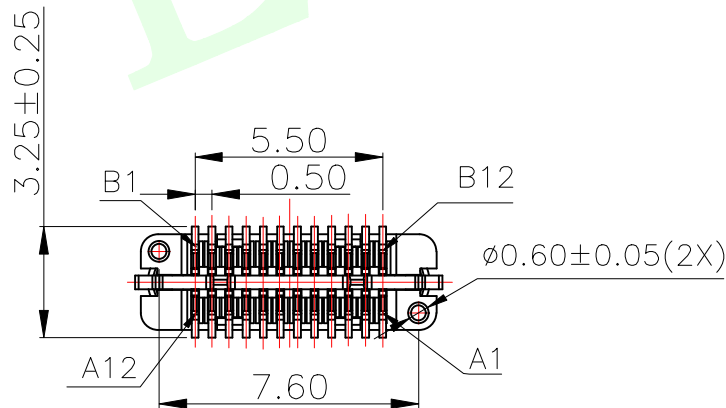
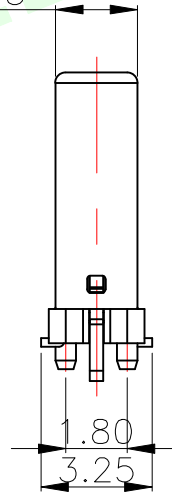


RoHS Compliant

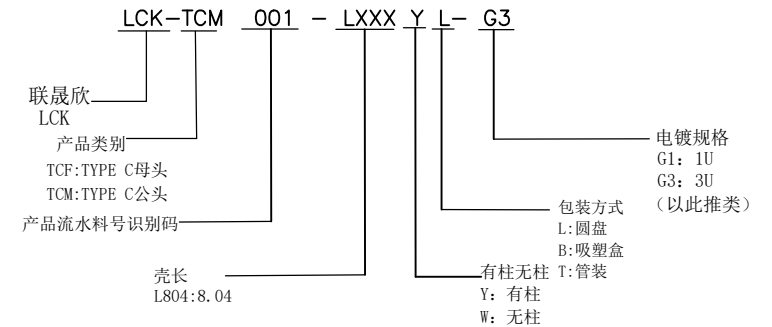


2.40±0.03



NOTE:

- 1.MATERIAL SPECIFICATION:
 - 1.HOUSING&PICKUP COVER:HIGH TEMPERATURE RESISTANT PLASTIC,UL94 V-0.
 - 2.CONTACTS: COPPER ALLOY
 - 3.LATCH: STAINLESS STEEL
 - 4.SPRING: STAINLESS STEEL
 - 5.FRONT SHELL: STAINLESS STEEL
- 2.PLATING SPECIFICATION:
 - 2-1.CONTACTS:
 - Ni 50u" MIN. UNDER PLATED OVER ALL.
 - Au PLATED ON THE FUNCTIONAL AREA OF CONTACT.
 - (GOLD PLATING THICKNESS FOLLOW THE P/N)
 - PLATING SPECIFICATIONS OF THE SOLDER AREA FOLLOW THE P/N
 - 2-2.LATCH:
 - Ni 30u" MIN. UNDER PLATED OVER ALL.
 - 2-3.SPRING:
 - CLEAR ONLY
- 3.MECHANICAL PERFORMANCE,
 - 3-1.INSERTION FORCE: 0.5~2.0kgf.
 - 3-2.REMOVAL FORCE: 0.8kgf~2.0kgf.
 - 3-3.DURABILITY: 10000 CYCLES.
- 4.ELECTRICAL PERFORMANCE,
 - 4-1. CURRENT RATING:3.0A
VOLTAGE RATING:5.0V
 - 4-2. LLCR:
 - VBUS & GND PINS AND OTHER PINS: 40mA/PIN MAX.
 - SHIELD: 50mA/MAX.
 - LLCR MAX. CHANGE OF ALL PINS: 10mA.
 - 4-3.INSULATION RESISTANCE: 100MΩ MIN
 - 4-4.DIELECTRIC WITHSTAND VOLTAGE,AC 100V FOR 1 MINUTE.
5. ENVIRONMENTAL PERFORMANCE:
 - OPERATING TEMPERATURE: -25°C~+85°C.
- 6.IR REFLOW:
 - THE PEAK TEMPERATURE ON THE BOARD SHALL BE MAINTAINED FOR 10 SECONDS AT 260°C.

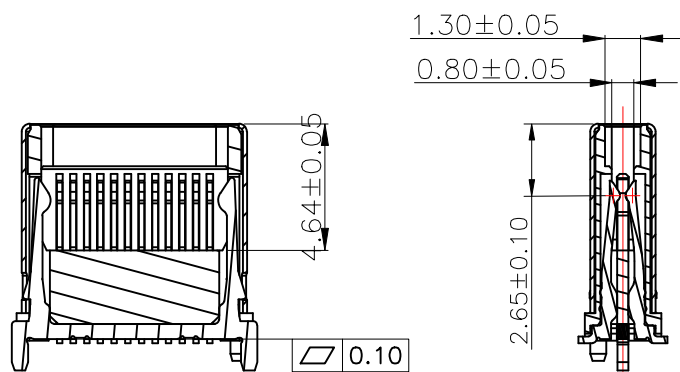


QUADRANT POINT	QP	联晟欣连接器（深圳）有限公司 Lianshengxin Connector (Shenzhen) Co., Ltd					
TANGENCY POINT	TP						
INTERSECTION POINT	IP						
UNLESS OTHERWISE SPECIFIED, TOLERANCE:		DESIGN	Andy	DATE	2014.12.24	TITLE:	USB CM VERTICAL TYPE C
X.	±0.25	CHECKED		DATE			直立插PIN式H=8.04
X.x	±0.20	APPROVED		DATE			
X.xx	±0.15	PART NO:	LCK-TCM001-LB04YL-G3	REV:	04	SCALE:	1:1
ANGULAR	±3°	DRAWING NO:	102022003	SIZE:	A4	SHEET:	1/1

RoHS Compliant

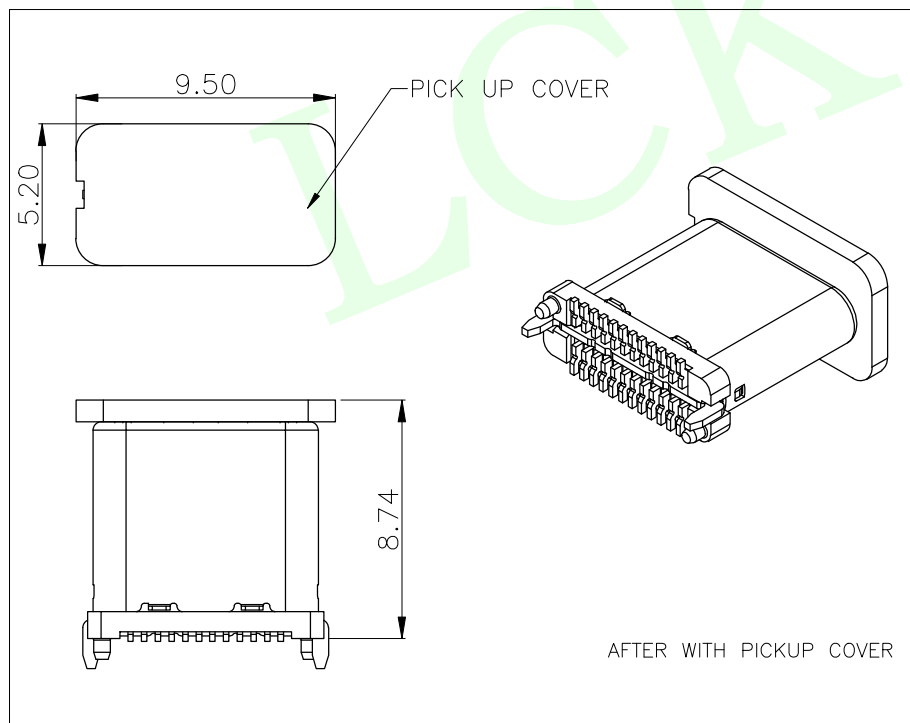
USB TYPE-C PIN ASSIGNMENTS

PIN NUMBER	SIGNAL NAME	PIN NUMBER	SIGNAL NAME
A1	GND	B12	GND
A2	SSTXp1	B11	SSRXp1
A3	SSTXn1	B10	SSRXn1
A4	Vbus	B9	Vbus
A5	CC1	B8	SBU2
A6	Dp1	B7	Dn2
A7	Dn1	B6	Dp2
A8	SBU1	B5	CC2
A9	Vbus	B4	Vbus
A10	SSRXn2	B3	SSTXn2
A11	SSRXp2	B2	SSTXp2
A12	GND	B1	GND

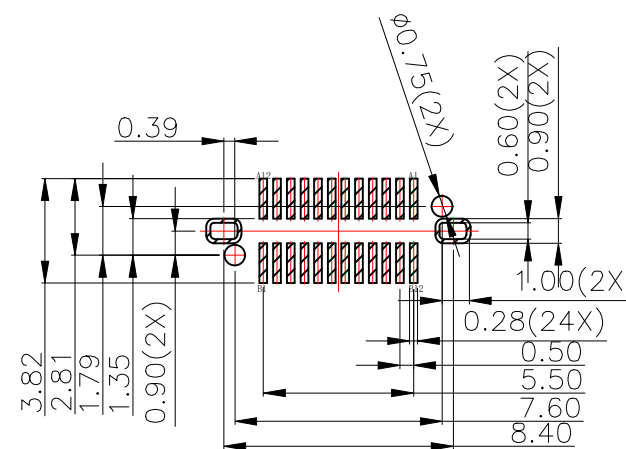


SECTION:A-A

SECTION:B-B



AFTER WITH PICKUP COVER



RECOMMENDED PCB LAYOUT(TOP VIEW)

DEFAULT TOLERANCE:±0.05

<p>QUADRANT POINT </p> <p>TANGENCY POINT </p> <p>INTERSECTION POINT </p> <p>UNLESS OTHERWISE SPECIFIED,TOLERANCE:</p> <p>X. ±0.25</p> <p>X.x ±0.20</p> <p>X.xx ±0.15</p> <p>ANGULAR ±3°</p>	<p>联晟欣连接器（深圳）有限公司</p> <p>Lianshengxin Connector (Shenzhen) Co., Ltd</p>
<p>DESIGN Andy DATE 2014.12.24 TITLE: USB CM VERTICAL TYPE C</p> <p>CHECKED DATE TITLE: 直立插PIN式H=8.04</p> <p>APPROVED DATE</p>	<p>PART NO: LCK-TCM001-LB04YL-G3 REV: 04 SCALE: 1:1 UNIT: mm</p> <p>DRAWING NO: 102022003 SIZE: A4 SHEET: 1/1</p>