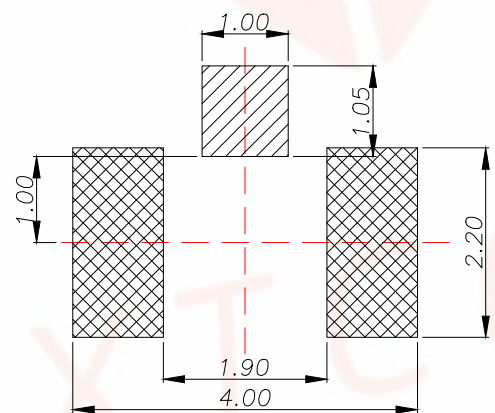
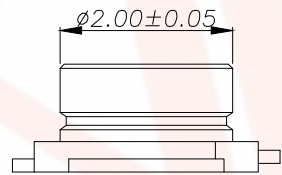
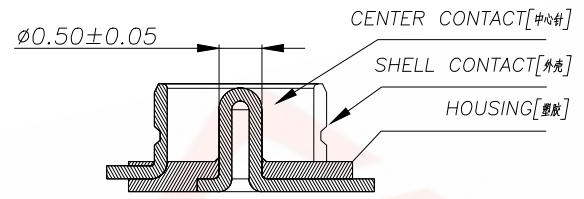
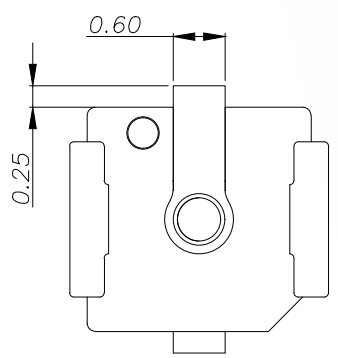
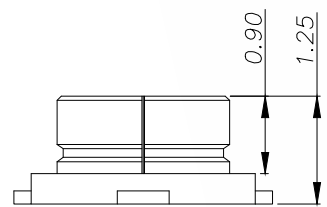
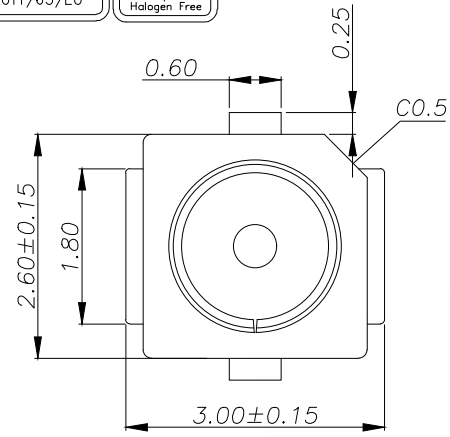
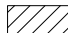




REV.	ECN NO.	DESCRIPTION	DATE	DESIGN




RECOMMENDED PCB LAYOUT
(TOLERANCE: ±0.05)

 CENTER CONTACT
 GROUND CONTACT

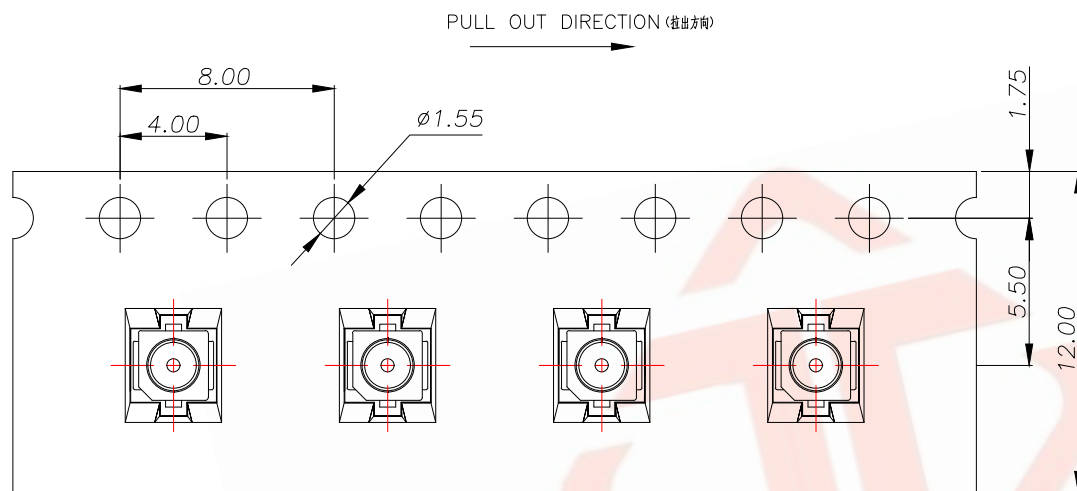
NOTES

- 1.0. RATING (额定值)
 - 1.1. VOLTAGE (电压): 60 VAC (R.M.S.)
 - 1.2. NOMINAL CHARACTERISTIC IMPEDANCE (特性阻抗): 50 Ohm
 - 1.3. APPLICABLE FREQUENCY (适用频率): DC~6GHz
 - 1.4. VSWR (电压驻波比): 1.3 MAX. (DC~3GHz), 1.5 MAX. (3~6GHz)
 - 1.5. TEMPERATURE (适用温度): -40°C TO +85°C
 - 1.6. APPLIED TO IR SOLDERING PROCESS (适用回流焊接方式)
- 2.0. MATERIAL SEE BILL OF MATERIAL (材料清单):
 - 2.1. HOUSING (塑胶): THERMOPLASTIC LCP, UL94V-0 (LCPUL94V-0)
 - 2.2. CENTER CONTACT: COPPER ALLOY C5191
 - 2.3. SHELL CONTACT (外壳): COPPER ALLOY C5191 (铜合金 C5191)

TOLERANCE		 深圳聚兴泰电子科技有限公司 Shenzhen Juxingtai Electronic Technology Co., Ltd	
X.X:±0.15	X':±2'	PART NO. AIPEX-1	TITLE: MICRO RF 1 BAORD SMT 3 PADS TYPE
X.XX:±0.05	X.X':±1'		
X.XXX:±0.05		DESIGN: Ethan	MANUFACTURE DWG
UNITS	mm	CHED: Olvia	
MATERILA	---	APPD: Ava	 SCALE N:A
FINISH	---		SHEET 1/1

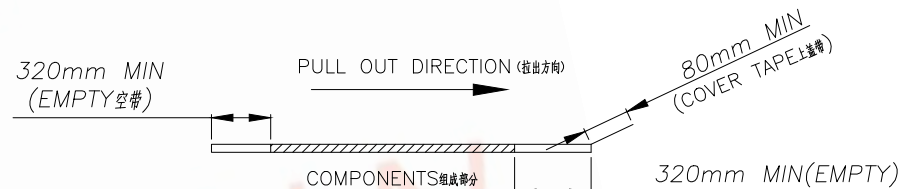
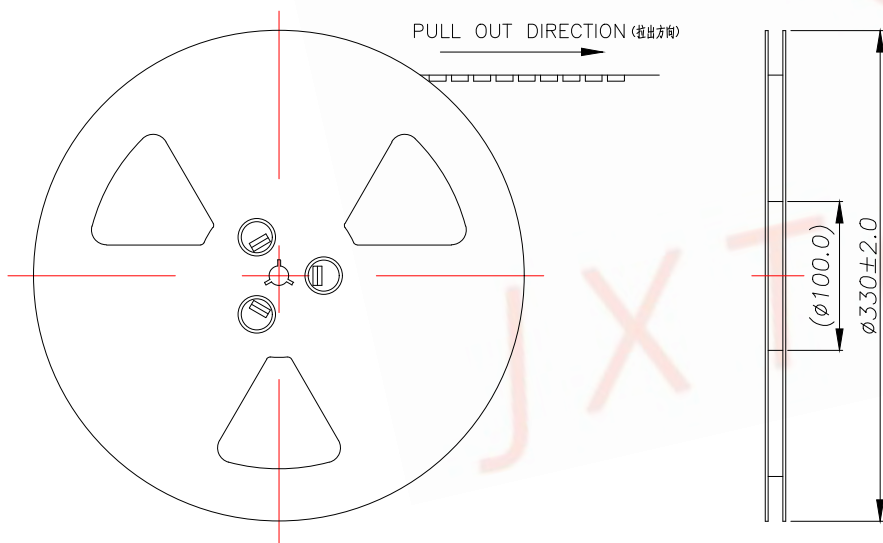


REV.	ECN NO.	DESCRIPTION	DATE	DESIGN



NOTES(备注):

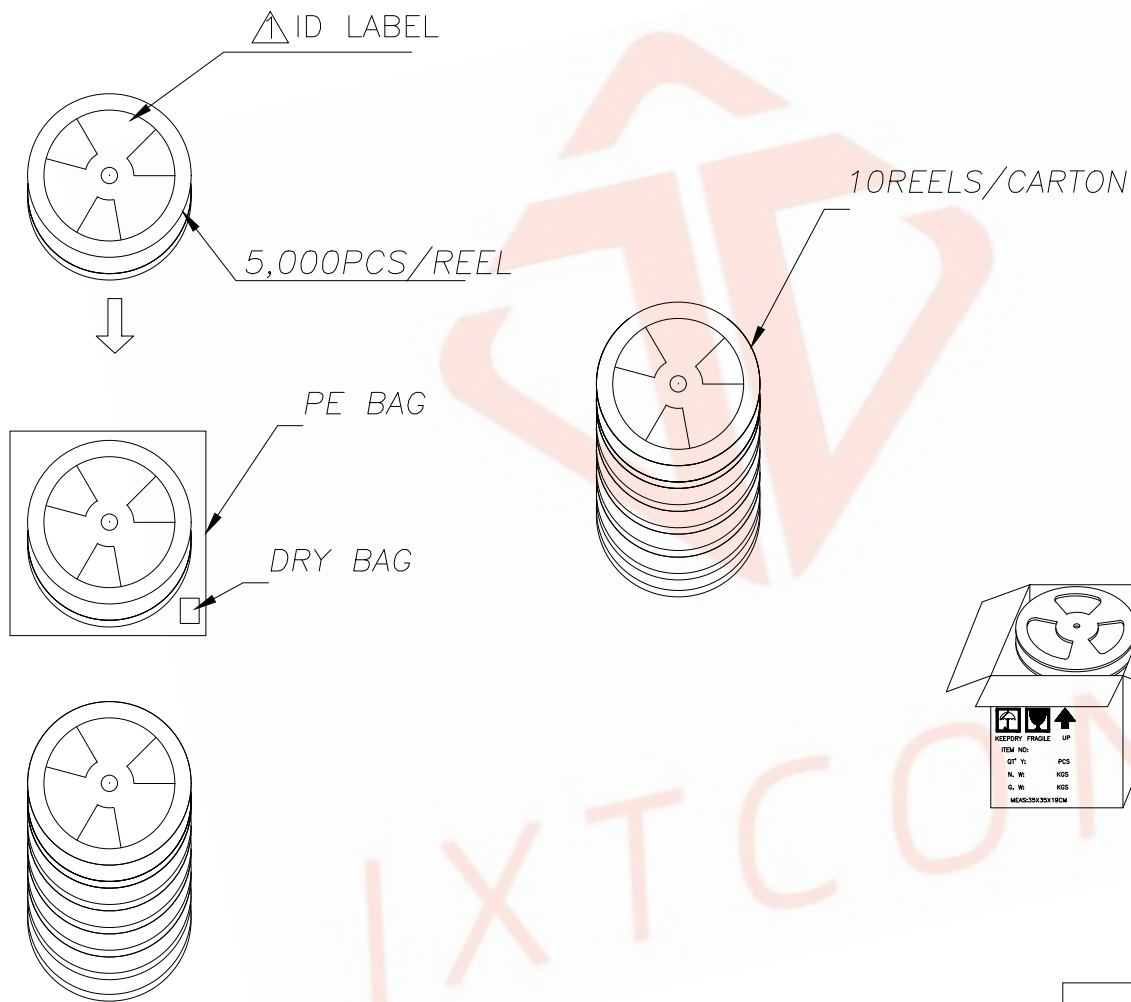
- MATERIAL(材料):
 - EMBOSSED CARRIER(载带): PET
 - COVER TAPE(盖带): PET
 - REEL(卷盘): PS
 - SHIPPING CARTON(包装箱): CORRUGATED FIBER(多层瓦楞纸)
- DIMENSION(尺寸):
 - REEL(卷盘): W=12.5
 - SHIPPING CARTON(包装箱): L=350, W=350, H=190
- QUANTITY(数量):
 - PRIMARY PACKING(基本包装): 5000PCS/REEL
 - CRITERION PACKING(标准包装): 10REELS/CARTON(10卷/箱50000PCS)
- WEIGHT(重量):
 - NET WEIGHT(净重): 0.50KG/REEL.
 - GROSS WEIGHT(总重): 0.50KG/REEL, 5.5KG/CARTON.
- PEELING RESISTANCE(盖带剥离力): 10gf~130gf.



TOLERANCE		深圳聚兴泰电子科技有限公司 Shenzhen Juxingtai Electronic Technology Co., Ltd		
X.X:±0.15	X':±2'	PART NO. AIPEX-1	TITLE: MICRO RF 1 BAORD SMT 3 PADS TYPE	
X.XX:±0.05	X.X':±1'			
X.XXX:±0.05		DESIGN: Ethan	MANUFACTURE DWG	
UNITS	mm	CHED: Olvia		
MATERILA	---	APPD: Ava		
FINISH	---		SCALE N:A	SHEET 1/1



REV.	ECN NO.	DESCRIPTION	DATE	DESIGN



品名 NAME: _____

料号 PART No.: _____

客户料号 CLIENT P/N: _____

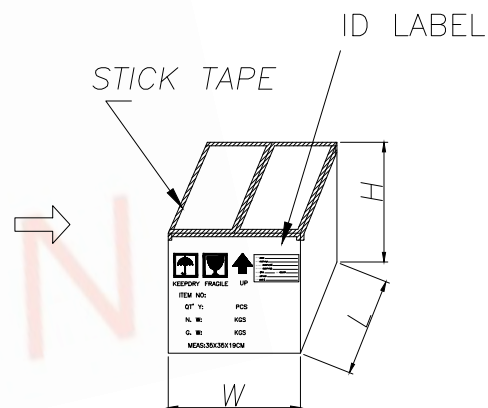
客户订单 CLIENT PO#: _____

数量 Q'TY: _____ 重量 WEIGHT: _____

批次 LOT No.: _____

日期 DATE : _____

ID LABEL



TOLERANCE		深圳聚兴泰电子科技有限公司 Shenzhen Juxingtai Electronic Technology Co., Ltd	
X.X:±0.15	X':±2"	PART NO. AIPEX-1	TITLE: MICRO RF 1 BAORD SMT 3 PADS TYPE
X.XX:±0.05	X.X':±1"		
X.XXX:±0.05		DESIGN: Ethan	MANUFACTURE DWG
UNITS	mm	CHED: Olvia	
MATERILA	---	APPD: Ava	
FINISH	---		SCALE N:A SHEET 1/1