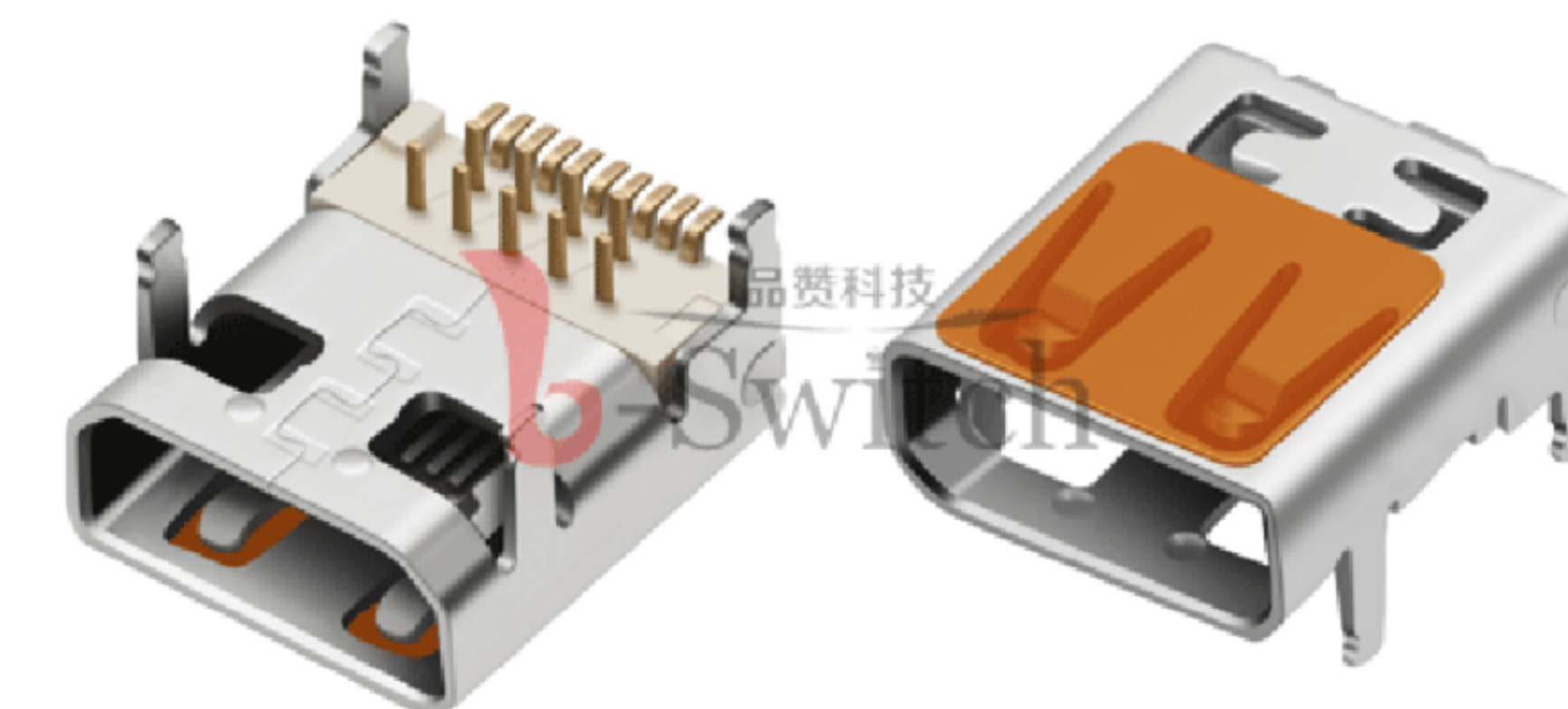
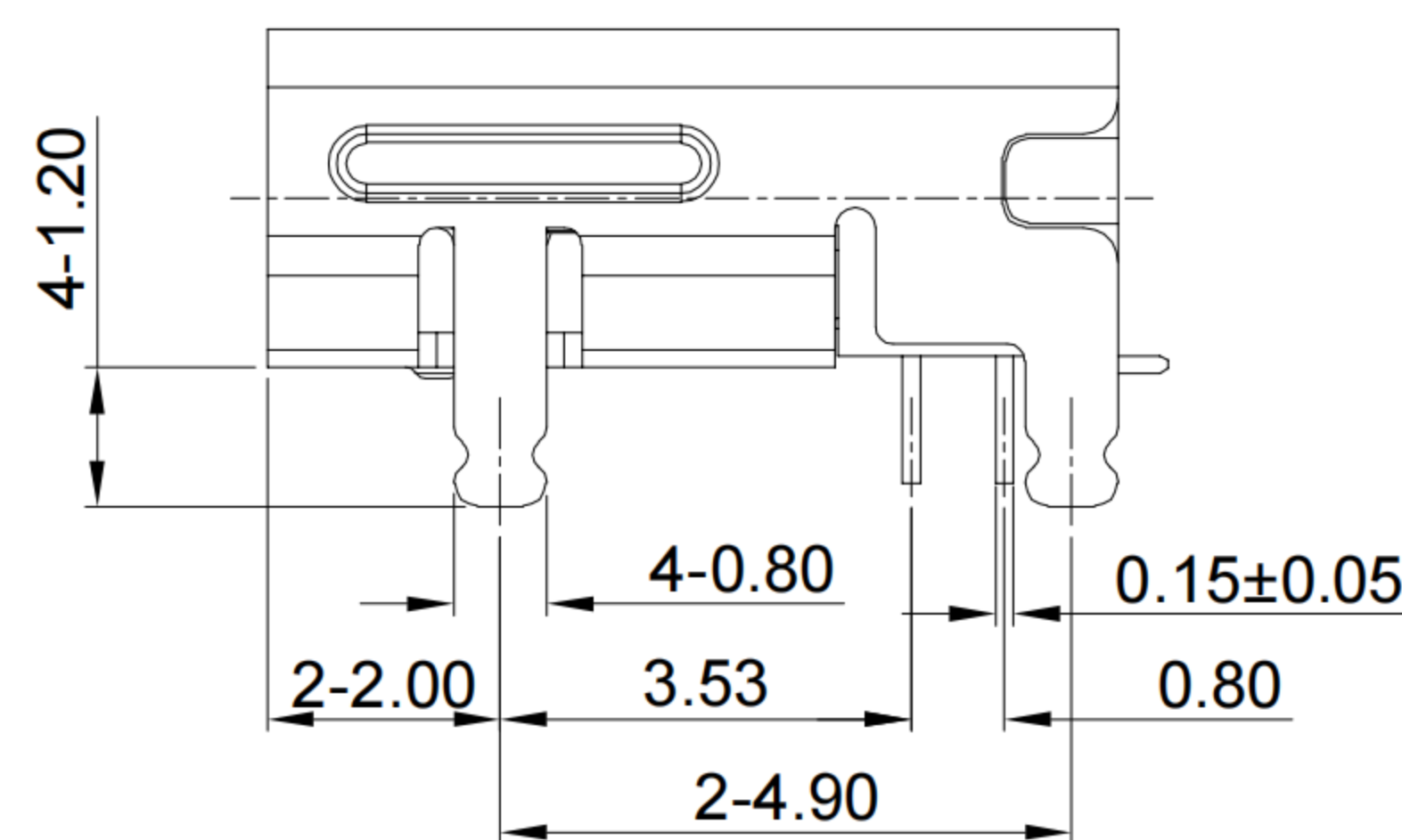


RECOMMENDED PCB LAYOUT
TOLERANCE:±0.05



GT-HD004B-X X X GX

DETAIL

A=19pin DF
Double stickers on the board
B=19pin DF
Insert front and stick back

Shell Material

C=Copper alloy
F=Ferroalloy
S=Stainless

Shell Plating

N=Ni
G=Gold

Housing Colour

W=White
N=Black

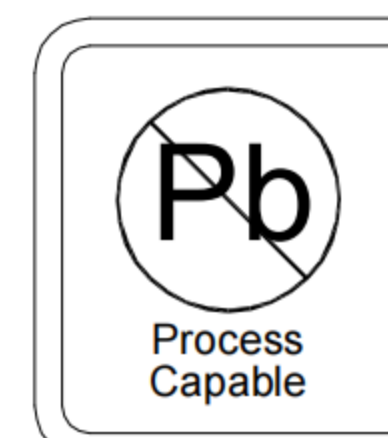
Terminal Plating

G0=G/F
G1=1u
G3=3u
G15=15u
G30=30u

G-Switch HDMI Specification:

- 1.Current rated: 1.0A Voltage rating: 24V AC
- 2.Withstanding voltage: 500V AC/minute
- 3.Contact resistance: 30mΩ Max
- 4.Insulation resistance: 100MΩ Min
- 5.Operating temperature: -40°C ~ +85°C
- 6.Mating force: 44.1N
- 7.Unmating force: 9.8N~39.2N,After durability: 3N~25N
- 8.Durability cycle:5,000 cycles

NO.	PARTS	MATERIAL	REMARKS
1	SHELL	SUS304	Ni PLATED
2	HOUSING	HIGH TEMPERATURE PLASTIC	LCP+30%G/F BLACK UL 94 V-0
3	TERMINALS	COPPER ALLOY(C5191)	Au PLATING ON CONTACT AREA



SCALE: UNIT: mm

SIZE: A4

Unless otherwise General Tolerance:

X: ±0.35
X.x: 1:1±0.25
X.xx: ±0.15
X°: ±2°

Title: Horizontal HDMI 19P Female
SMT CH=1.50 L=7.30mm

Molde Code: GT-HD0004B-XXXGX

DRAWN CHECKED APPROVED DATE

Jiang Xia Chen 2023.02.01



REV: A0 SHEET: 1/1