

A

B

C

D

E

F

A

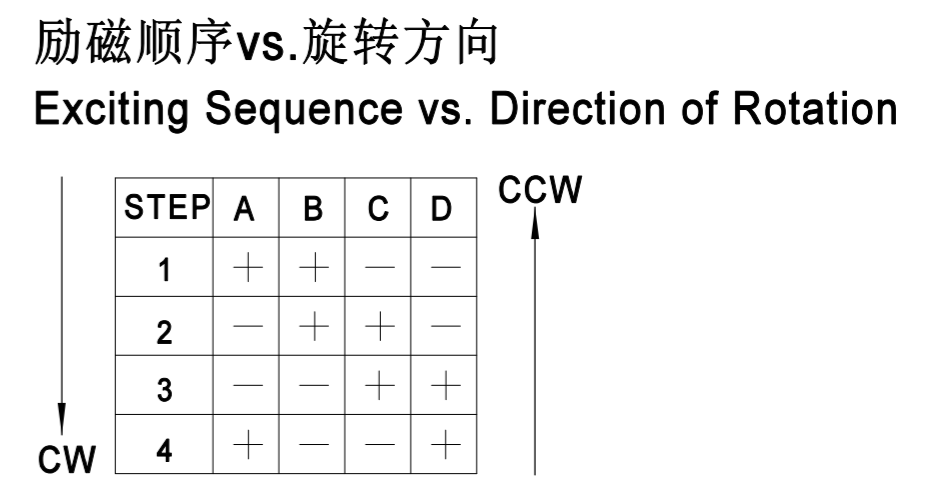
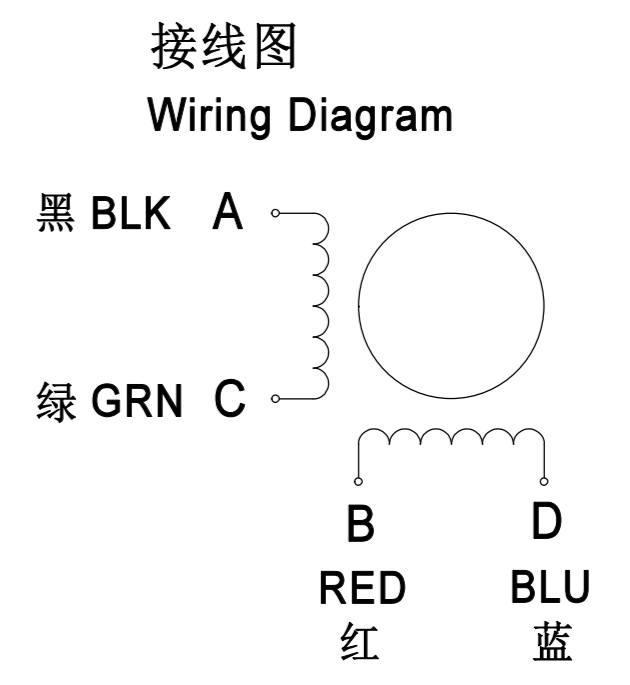
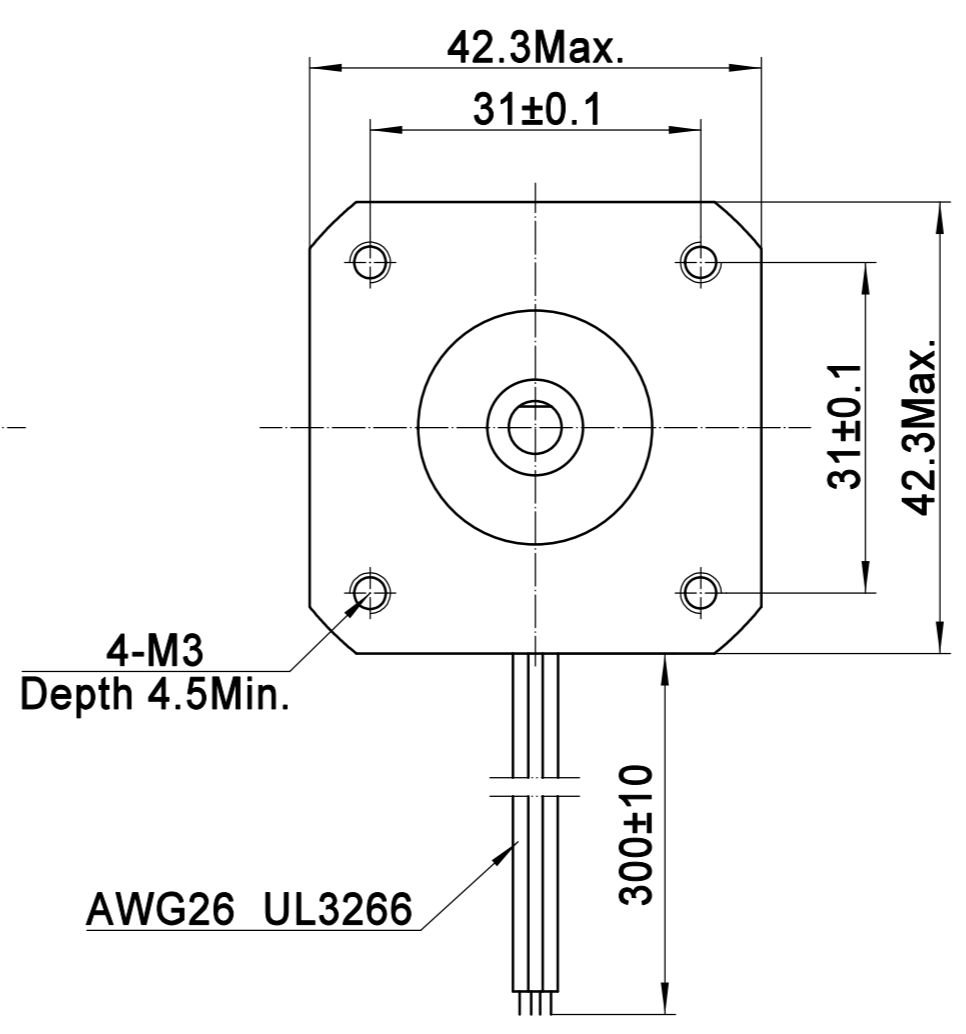
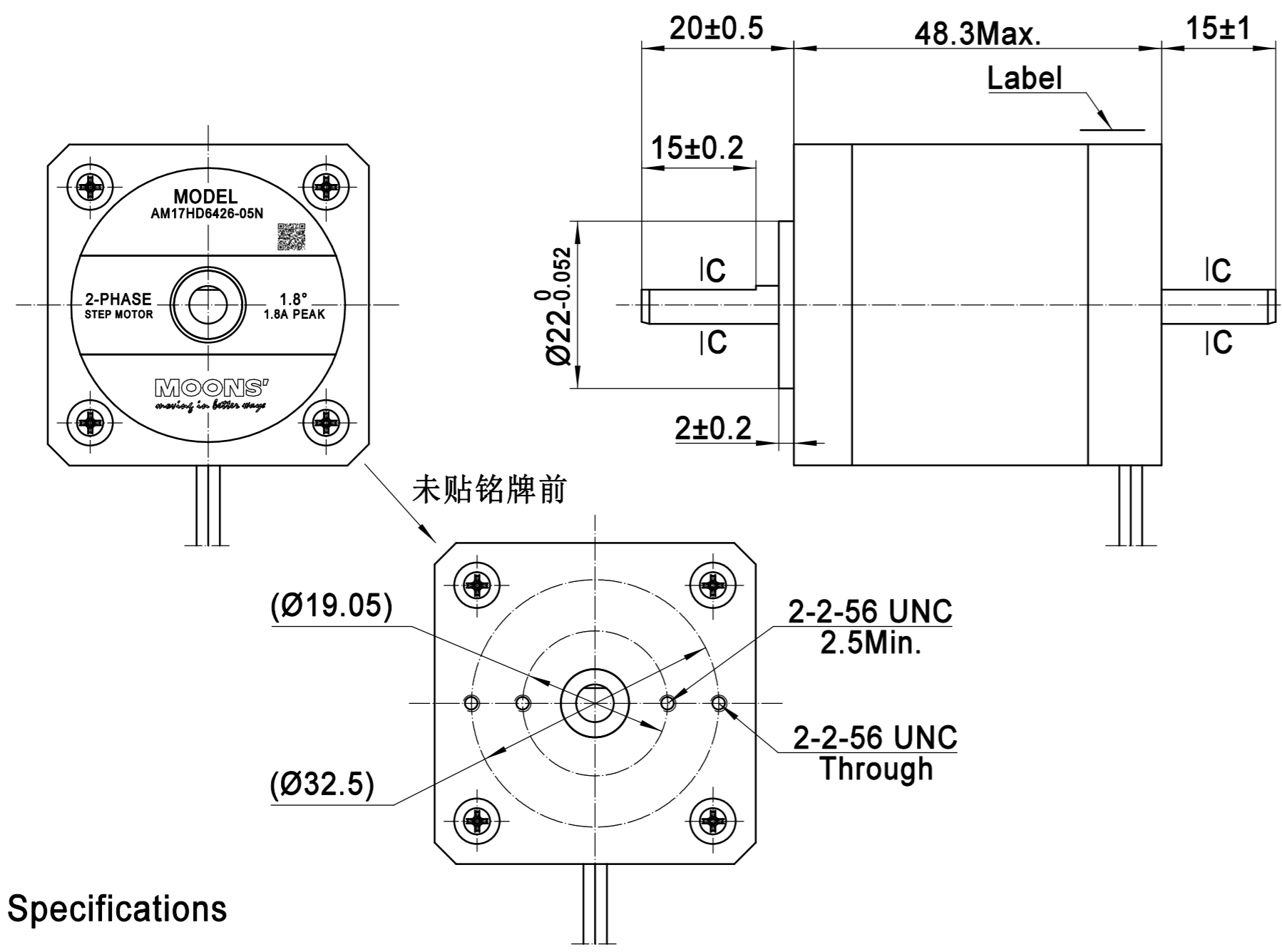
B

C

D

E

F



规格 Specifications

1. 相数 Number of Phase	2
2. 步距角 Step Angle	1.8°
3. 额定电压 Rated Voltage	3.45V DC
4. 额定电流 Rated Current	1.5Amp
5. 保持力矩 Holding Torque	0.59N.m Typ.(Two phase on/rated current)
6. 相电阻 Phase Resistance	2.3ohm±10%(20°C)
7. 相电感 Phase Inductance	4.1mH±20%(1kHz 1V rms)
8. 转子惯量 Rotor Inertia	82g.cm ²
9. 电机重量 Motor Weight	360g
10. 绝缘等级 Insulation Class	B(130°C)

从安装面看为顺时针方向
Clockwise view from mounting side

标签 Label Detail
前8位XXXXXXXX--work order 加工单号
后4位XXXX--serial number 流水号



		Unit: mm 第一角画法 FIRST ANGLE METHOD 未注线性与角度尺寸公差 Tolerances for linear and angular dimensions without individual tolerance indications GB/T 1804-m eqv ISO 2768-1 : m 未注形状与位置尺寸公差 Geometrical tolerance for features without individual tolerance indications GB/T 1184-K eqv ISO 2768-2 : K		批准 Approve		Hybrid Stepping Motor SHANGHAI AMP & MOONS' AUTOMATION CO.,LTD This document is released for information only. Its reproduction in whole or in part or its dissemination to third parties is prohibited. All trademarks and registered trademarks appearing on this document are the property of their respective owners.
				标准化 Standard		
				工艺 Technology		
				审核 Check		
原始版本 Original revision				设计 Design		Type: AM17HD6426-05N Rev.A SCALE 1:1 Sheet 1 of 1
REV.	版本记录 REVISION RECORD	DATE	UNLESS OTHERWISE SPECIFIED	NAMES	SIGNATURE	