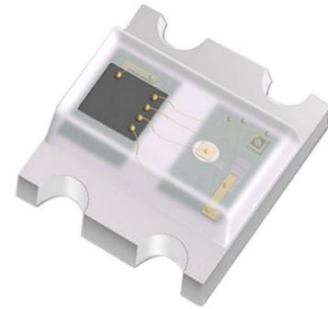


## 1615 幻彩 贴片式发光二极管

### 特点 (Characteristics) :

- \* 外观尺寸 (L/W/H) :1.6\*1.5\*0.6 mm  
outline Dimensions (L / w / h): 1.6\*1.5\*0.6 mm
- \* 发光颜色及胶体:RGB/透明胶体  
Luminous color and colloid:RGB/ transparent colloid
- \* 环保工艺符合 ROHS 要求  
Environmental protection products Complied With ROHS Directive
- \* 湿气敏感性等级 (MSL) :5a 级  
Moisture sensitivity level (MSL) : 5a levels
- \* EIA 规范标准包装  
EIA standard packaging
- \* 适用于 SMT 贴片自动化生产  
Suitable for SMT automatic production
- \* 适用于红外线回流焊制程  
Suitable for infrared reflow soldering process



### 应用领域 (Product application) :

- \* LED 全彩发光字灯串  
Led full-color luminous word lamp string,
- \* LED 全彩模组  
led full-color module
- \* LED 幻彩软硬灯条, LED 护栏管  
Led magic color soft and hard light strip, LED guardrail tube
- \* LED 外观, 情景照明  
Led appearance, scene lighting
- \* LED 异性屏  
Led heterosexual screen
- \* 各种电子产品, 电器设备跑马灯  
All kinds of electronic products, electrical equipment, runninglights



**WS2812b 功能特点/**ws2812b Functional characteristics:

1. 灯珠内部集成高质量外控单线级联恒流 IC 和优质 RGB LED 芯片，体积小，外围简单。

The ball interior integrates high-quality external single-line cascade IC and high-quality RGB LED chips, which are small in size and simple on the periphery.

2. 内置 IC 恒流精度高，内部 RGB 芯片预先分光处理。发光高度一致，白光效果纯正。

BUILT-IN IC constant current high precision, internal RGB chip pre-optical processing. High Degree of uniformity of light, white light effect pure.

3. 整形转发强化技术，单线数据传输，可无限级联。

Plastic forwarding enhancement technology, single-line data transmission, can be cascaded.

4. 数据传输频率 800Kbps/秒，可实现画面刷新速率 30 帧 / 秒时，不小于 1024 点。

The data transmission frequency is 800Kbps per second, and the screen refresh rate can be achieved at 30 frames per second, not less than 1024 points.

5. 输出端口 PWM 控制能够实现 256 级灰度调节，端口扫描频率 1.5KHz / s。

The output port PWM control can achieve 256 levels of grayscale adjustment, and the port scan frequency is 1.5 KHz / S.

6. 采用优化预置 12mA/通道恒流模式，低压驱动级联数量最大化。高恒流精度，片内误差 < 1.5%，片间误差 < 3%。Optimized preset 12mA / channel constant current mode is adopted to maximize the number of low-voltage drive cascades. High constant current accuracy, intraslice error < 1.5 %, interslice error < 3 %.

7. 内置低压强化模块，VDD 在 4.5-5.5V 以上 100%正常工作。

With the built-in low-pressure reinforcement module, VDD is 100 % functional above 4.5-5.5 V.

8. 超强数据整形能力：接受完本单元数据自动将后续数据整形输出。

Super data shaping ability: accept this unit data automatically will follow the data shaping output.

---

**目录**

---

**Catalogue**

|  |    |
|--|----|
| <b>电性参数</b>                                |    |
| Electrical Characteristics.....            | 4  |
| <b>电气参数</b>                                |    |
| Electrical parameters .....                | 5  |
| <b>开关特性</b>                                |    |
| Switching characteristics.....             | 6  |
| <b>应用线路图</b>                               |    |
| Application circuit diagram.....           | 9  |
| <b>可靠性实验</b>                               |    |
| Reliability Test Items And Conditions..... | 10 |
| <b>外形尺寸</b>                                |    |
| Outline Dimensions.....                    | 11 |
| <b>包装</b>                                  |    |
| Packaging.....                             | 12 |
| <b>焊接指导</b>                                |    |
| Guideline for Soldering.....               | 13 |
| <b>使用注意事项</b>                              |    |
| Precautions.....                           | 14 |

## 电性参数

## Electrical Characteristics

## 极限参数 (Ta=25℃) Absolute Maximum Rating (ta=25 °C)

| 电气参数<br>Electrical parameters           | 符号<br>Symbol     | 极限范围<br>limit range | 单位<br>Unit |
|---|------------------|---------------------|------------|
| 供电电压<br>Supply Voltage                  | VDD              | 5±0.5V              | V          |
| 逻辑输入电压<br>Logic input Voltage           | VDI              | 4.0 -5.0            | V          |
| 输出端口耐压<br>Output port withstand voltage | V <sub>OUT</sub> | 10                  | V          |
| 工作温度<br>Operating Temperature           | Topr             | -40 ~ +85℃          |            |
| 存储温度<br>Storage Temperature             | Tstg             | -40 ~ +85℃          |            |
| 回流焊温度<br>Circle solder Temperature      | Tsol             | 260℃ For 6 Seconds  |            |
| 抗静电能力<br>ESD Sensitivity                | ESD              | 3000V HBM           |            |

## 光电特性参数 (Ta=25℃) Optical-electrical parameter (ta=25 °C)

| 参数名称<br>Parameter         | 颜色<br>Colour | 符号<br>Symbol | 测试条件<br>Test conditions | 最小值<br>Min | 典型值<br>Typ | 最大值<br>Max | 单位<br>Unit |
|---------------------------|--------------|--------------|-------------------------|------------|------------|------------|------------|
| 光强<br>light intensity     | 红 red        | IV           | IF=20mA                 | -          | 150        | -          | mcd        |
|                           | 绿 green      |              |                         | -          | 800        | -          |            |
|                           | 蓝 blue       |              |                         | -          | 180        | -          |            |
| 主波长<br>Main wavelength    | 红 red        | D            |                         | 620        | -          | 630        | nm         |
|                           | 绿 green      |              |                         | 520        | -          | 530        |            |
|                           | 蓝 blue       |              |                         | 465        | -          | 475        |            |
| 峰值波长<br>Peak wavelength   | 红 red        | λP           |                         | -          | 625        | -          | nm         |
|                           | 绿 green      |              |                         | -          | 525        | -          |            |
|                           | 蓝 blue       |              |                         | -          | 470        | -          |            |
| 半光强视角<br>Half light angle | -            | 2θ1/2        | -                       | 120        | -          | Deg        |            |

电气参数 : Electrical parameters (ta=25 °C):

| 参数<br>Parameter                               | 符号<br>Symbol                    | 最小<br>Min            | 典型<br>Typ. | 最大<br>Max           | 单位<br>Unit | 测试条件<br>Test conditions                           |
|---|---------------------------------|----------------------|------------|---------------------|------------|---|
| 芯片电源电压<br>Chip power supply voltage           | V <sub>DD</sub>                 | 4.0                  | -          | 5.0                 | V          | -   |
| 静态电流<br>Static current                        | I <sub>DD</sub>                 | -                    | 0.35       | -                   | mA         | V <sub>DD</sub> =5V, I <sub>out</sub> “OFF”       |
| 输入信号阈值电压<br>Input signal threshold voltage    | V <sub>IH</sub>                 | 0.55 V <sub>DD</sub> | -          | -                   | V          | DIN 输入高电平   |
|   | V <sub>IL</sub>                 | -                    | -          | 0.3 V <sub>DD</sub> | V          | DIN 输入低电平   |
| DOUT 输出电流<br>DOUT output current              | I <sub>OH</sub>                 | -                    | 15         | -                   | mA         | DOUT 输出高, 串接 10Ω电阻至 GND                           |
| DOUT 灌电流<br>DOUT current injection            | I <sub>OL</sub>                 | -                    | 17         | -                   | mA         | DOUT 输出低, 电源对 DOUT 灌电流                            |
| OUT R/G/B 输出电流<br>Output current              | I <sub>OUT</sub>                | -                    | 5.5        | -                   | mA         | V <sub>DD</sub> =5, V <sub>OUT</sub> =1.5V        |
| OUT R/G/B 输出电流变化量<br>output current variation | %V <sub>S.V</sub> <sub>DS</sub> | -                    | 0.5        | -                   | %          | I <sub>OUT</sub> =5.5mA V <sub>DS</sub> =1.0-3.0V |
|   | %V <sub>S.V</sub> <sub>DD</sub> | -                    | 5.0        | -                   | %          | I <sub>OUT</sub> =5.5mA V <sub>DD</sub> =4.5-5.5V |
|   | %V <sub>S.V</sub> <sub>TA</sub> | -                    | 5.0        | -                   | %          | I <sub>OUT</sub> =5.5mA TA =-40°C~ +85°C          |

注：电气工作参数定义了器件在工作范围内并且在保证特定性能指标的测试条件下的直流和交流电参数。对于未给定上下限值的参数，该规范不予保证其精度，但其典型值合理反映了器件性能，规格书的最小、最大参数范围由测试保证，典型值由设计、测试或统计分析保证

**Electrical operating parameters define the DC and AC parameters of a device within its operating range and under testing conditions that ensure specific performance indicators. For parameters without given upper and lower limits, this specification does not guarantee their accuracy, but their typical values reasonably reflect device performance. The minimum and maximum parameter ranges in the specification are guaranteed by testing, and the typical values are guaranteed by design, testing, or statistical analysis**

开关特性 : Switching characteristics ( $t_a = -40 \sim +85 \text{ }^\circ\text{C}$ ):

| 参数<br>Parameter                           | 符号<br>Symbol | 最小<br>Min | 典型<br>Typ | 最大<br>Max | 单位<br>Unit | 测试条件<br>Test conditions  |
|---|--------------|-----------|-----------|-----------|------------|--|
| OUT/RGB 输出 PWM 频率<br>Output PWM frequency | $F_{pwm}$    | -         | 4.5       | -         | KHz        | $I_{out} = 5\text{mA}$ , OUT 端口串 200Ω 电阻至 VDD                          |
| 信号传输延迟 (注 4)<br>Signal transmission delay | $t_{PLH}$    | -         | 80        | -         | ns         | DOUT 端口对地负载电容 30pF, DIN 至 DOUT 的信号传输延迟                                 |
|   | $t_{PHL}$    | -         | 80        | -         | ns         |  |
| DOUT 转换时间(注 5)<br>Conversion time         | $t_{TLH}$    | -         | 12        | -         | ns         | DOUT 端口对地负载电容 30pF   |
|   | $t_{THL}$    | -         | 10        | -         | ns         |  |
| OUT R/G/B 转换时间(注 6)<br>Conversion time    | $t_r$        | -         | 500       | -         | ns         | $I_{OUT\ R/G/B} = 5\text{MA}$ OUT R/G/B 端口串接 200Ω 电阻至 VDD, 对地负载电容 30pF |
|   | $t_f$        | -         | 500       | -         | ns         |  |

注 4、注 5、注 6: 如下图所示

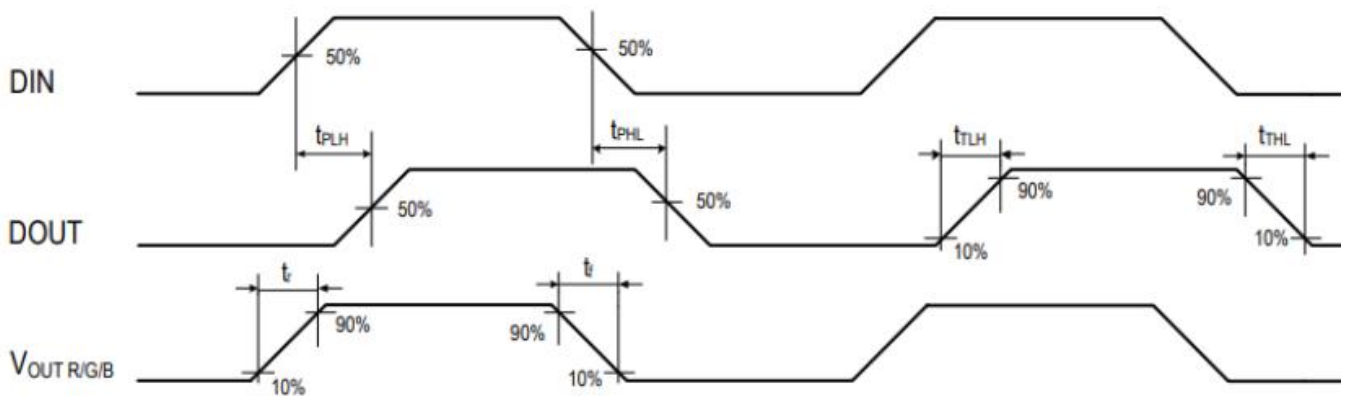
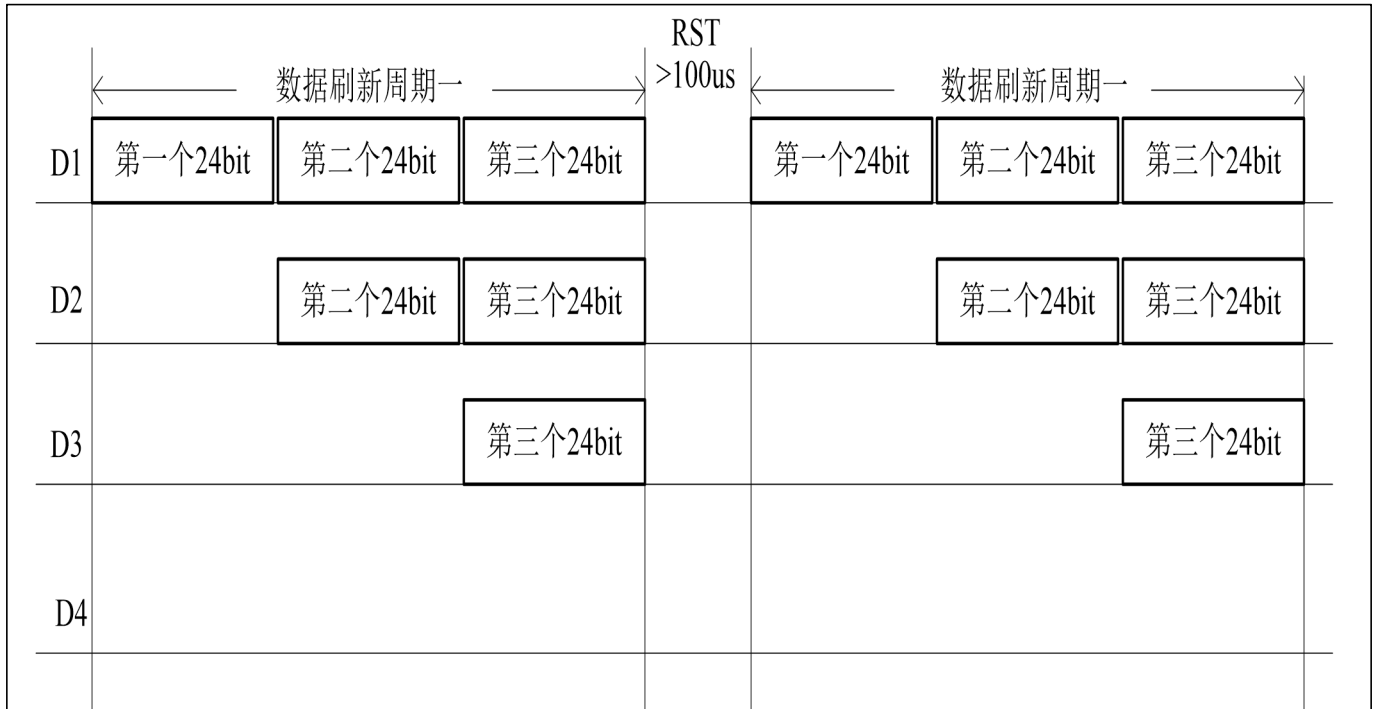


Fig. 动态参数测试示意图

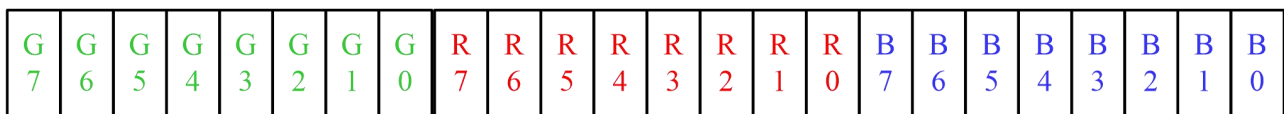
## 数据传输方式: Date transmission mode



注: 其中 D1 为 MCU 端发送的数据, D2、D3、D4 为级联电路自动整形转发的数据

Note: D1 refers to the data sent by MCU, and D2, D3 and D4 refer to the data automatically shaped and forwarded by cascade circuit

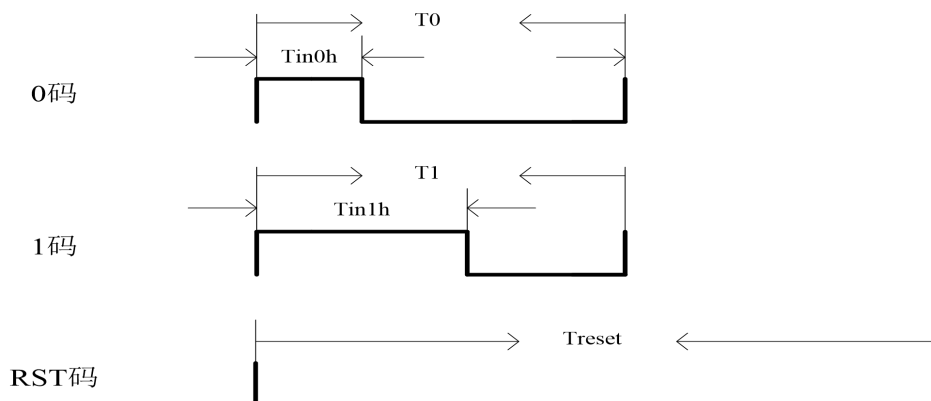
## 24bit 数据结构: 24bit data structure:



注: 高位先发, 按照 GRB 的顺序发送数据

Note: high order first send, send data in the order of GrB

## 数据时序波形图: Time sequence waveform:



## 数据传输定义:Signal transmission definition

| 参数<br>Parameter                             | 符号<br>Symbol | 最小值<br>Min | 典型<br>Typ | 最大值<br>Max | 单位<br>Unit |
|---|--------------|------------|-----------|------------|------------|
| 输入 0 码高电平时间<br>Input 0 code high level time | Tin0h        | 0.3        | -         | -          | us         |
| 输入 1 码高电平时间<br>Input 1 code high level time | Tinlh        | 0.9        | -         | -          | us         |
| 输入 0 码低电平时间<br>Input 0 code low level time  | T0L          | 0.9        | -         | -          | us         |
| 输入 1 码低电平时间<br>Input 1 code low level time  | T1L          | 0.3        | -         | -          | us         |
| 0 码/1 码周期<br>0 code /1 code cycle           | T0/T1        | 1.2        | -         | -          | us         |
| RESET 码低电平时间<br>Reset code low level time   | reset        | 30         | 150       | -          | us         |

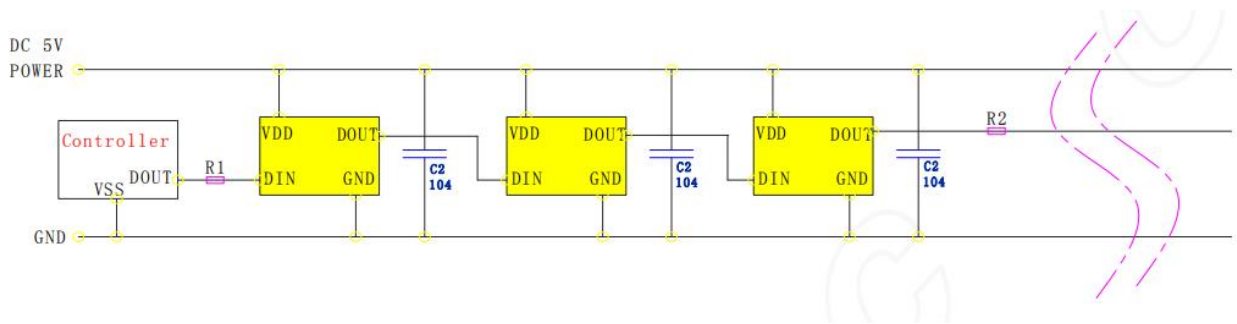
注/Note:

a: LED 灯珠主要根据高电平时间判断“0”码和“1”码。高电平时间介于 200ns~410ns, IC 判断为“0”码, 高电平时间介于 640ns~1000ns, 判断为“1”码。“0”码和“1”码的低电平代表此码结束, 准备接收下一数据码。 a: LED is mainly based on high-voltage flat time to determine “0” code and “1” code. The high power level time is between 200ns ~ 410ns, IC is judged to be “0” code, high power level time is between 640ns ~ 1000ns, and it is judged to be “1” code. The low levels of the “0” code and the “1” code represent the end of this code and are ready to receive the next data code.

b: 低电平复位时间最小为 100us, 为了留有余度, 一帧数据传输过程中(包括 24bit 和 24bit 之间、bit 和 bit 之间)不要中断超过 35us, 否则可能会被 IC 认为是 RESET。中断时间在 35us 之内, 控制器可以进行正常数据传输等其他操作。 b: The low flat reset time is a minimum of 100us. In order to leave a margin, do not interrupt more than 35us during a frame data transmission(including between 24bit and 24bit, between bit and bit), otherwise it may be considered by IC as RESET. The interrupt time is within 35us, and the controller can perform other operations such as normal data transmission.



应用线路图: Application circuit diagram:



产品应用中驱控灯珠级联数量及控制器参数配置、驱动电源品质均有较大差异,故请在批量使用产品前,客户方务必自行验证产品兼容性,我司不承诺满足客户所有应用需求.

In the application of the product, there are great differences in the cascade number of drive control light beads, the parameter configuration of the controller and the quality of the drive power supply. Therefore, before using the product in batch, the customer must verify the compatibility of the product by himself. Our company does not promise to meet all the application needs of the customer

## 可靠性试验

### Reliability Test Items And Conditions

#### \*可靠性实验项目 Reliability Test Project

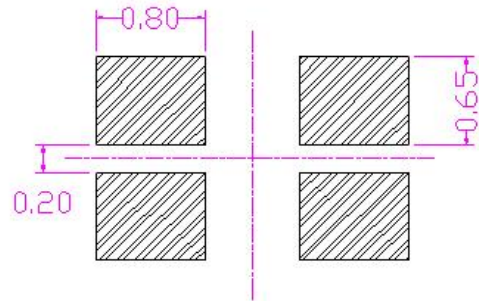
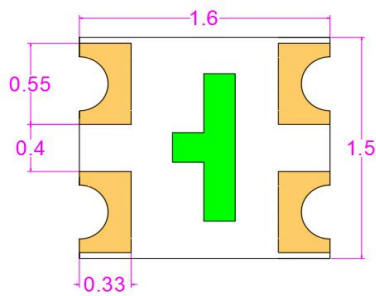
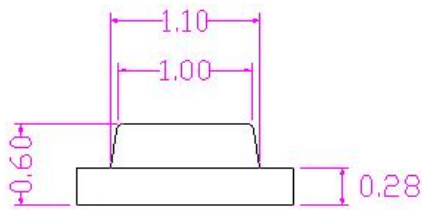
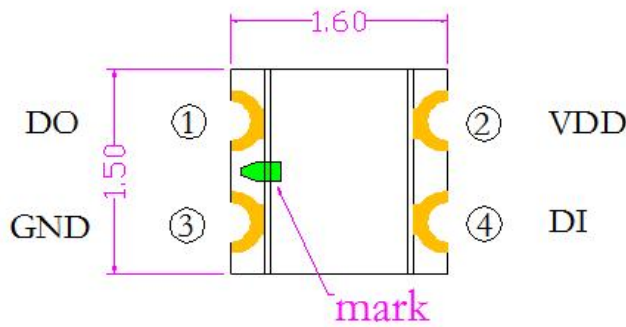
| 描述<br>Description     | 项目<br>Item                                   | 测试标准<br>Test criterion                              | 测试条件<br>Test condition  | 测试时间<br>Testtime | 数量<br>Qty | 失效数量<br>Fail qty |
|-----------------------|--|---|---|------------------|-----------|------------------|
| 寿命测试<br>Life test     | 常温寿命测试<br>Life test(room temperature)        | JIS7021:B4  | Ta=25°C±5°C, IF=20mA  | 1000Hrs          | 22        | 0                |
| 环境测试<br>Ambience test | 高温存储<br>High temperature store               | JIS7021:B10<br>MIL-STD-202:210A<br>MIL-STD-750:2031 | Ta=85°C±5°C   | 1000Hrs          | 22        | 0                |
|                       | 低温存储<br>Low temperature store                | JIS7021:B12   | Ta=-35°C±5°C  | 1000Hrs          | 22        | 0                |
|                       | 高温高湿测试<br>High temperature/<br>humidity test | JIS7021:B11<br>MIL-STD-202:103D                     | Ta=85°C±5°C<br>RH=85%   | 1000Hrs          | 22        | 0                |
|                       | 冷热冲击测试<br>Cold / Heat strike test            | JIS7021::B4<br>MIL-STD-202:107D<br>MIL-STD-750:1026 | 30min<br>-10°C±5°C ↔ 100°C±5°C<br>5min 5min                             | 50Cycles         | 22        | 0                |
|                       | 冷热循环测试<br>Cold and heat cycle test           | JIS7021:A3<br>MIL-STD-202:107D<br>MIL-STD-705:105E  | 5min 5min 5min<br>-35°C~25°C~85°C~<br>-35°C<br>30min 5min 30min<br>5min | 50Cycles         | 22        | 0                |

#### \*判断标准 Judging criterion:

| 项目<br>Item                 | 符号<br>Symbol | 实验条件<br>Experiment condition | 判断标准<br>Criteria |                  |
|----------------------------|--------------|------------------------------|------------------|------------------|
|                            |              |                              | Min.             | Max.             |
| Forward Voltage<br>正向电压    | VF           | IF=20mA                      | ----             | Initial Datex1.1 |
| Reverse Current<br>反向电流    | IR           | VR=5V                        | ----             | 5 μ A            |
| Luminous Intensity<br>发光强度 | IV           | IF=20mA                      | Initial Datex0.7 | ----             |

外形尺寸

Outline Dimension



建议焊盘尺寸：  
Recommended Soldering Pattern

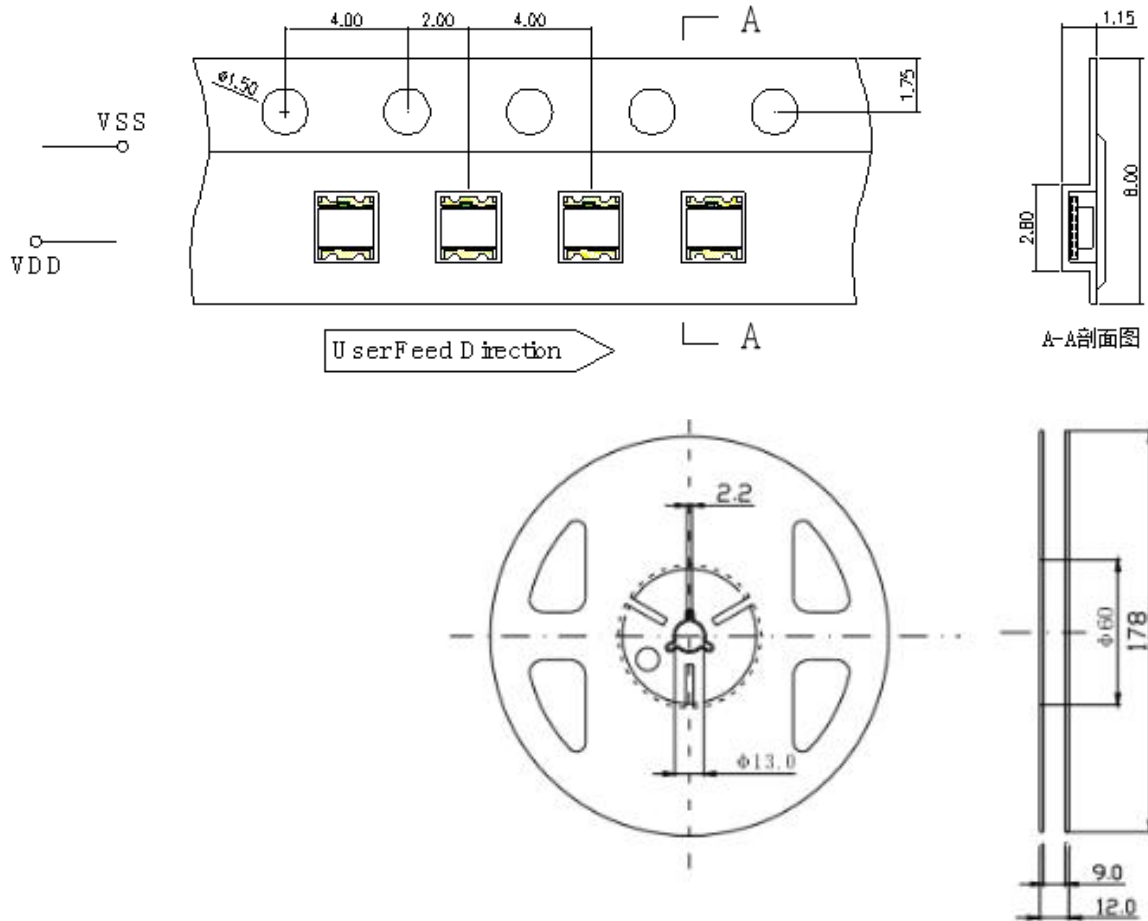
引脚电路图及引脚功能：

| 序号<br>Serial number | 符号<br>Symbol | 功能描述<br>Function description                                 |
|---------------------|--------------|--|
| 1                   | DO           | 显示数据级联输出<br>Display data cascade output                      |
| 2                   | VDD          | 内部IC电源正及RGB正极<br>Internal IC power positive and RGB positive |
| 3                   | GND          | 信号地及电源地<br>Signal ground and power ground                    |
| 4                   | DI           | 显示数据输入<br>Display data input                                 |

## 包装 (1)

### Packaging (1)

#### 载带与圆盘尺寸 Belt and disk dimensions



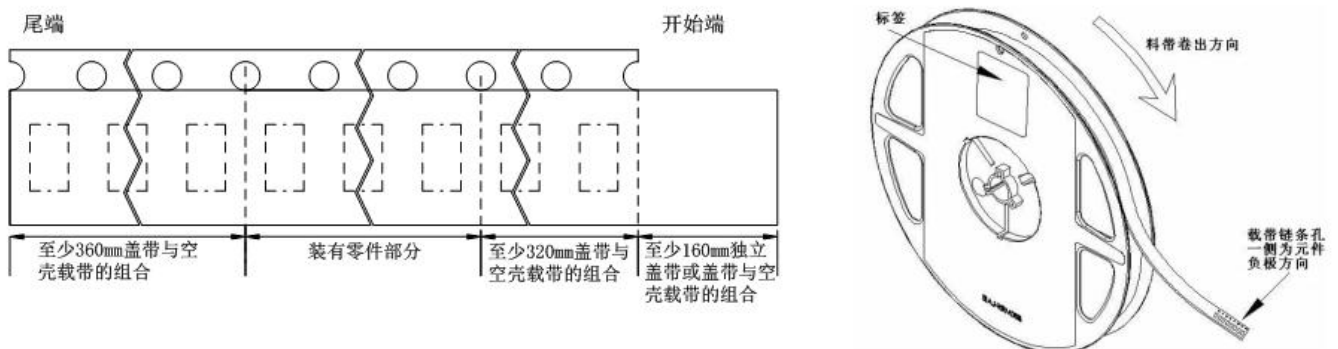
备注： 1. 以上尺寸单位均为 mm

Remarks: All dimensions are in millimeters.

2. 未特别标注公差尺寸公差均为  $\pm 0.25\text{mm}$

Tolerance is  $\pm 0.25\text{mm}$  unless otherwise noted

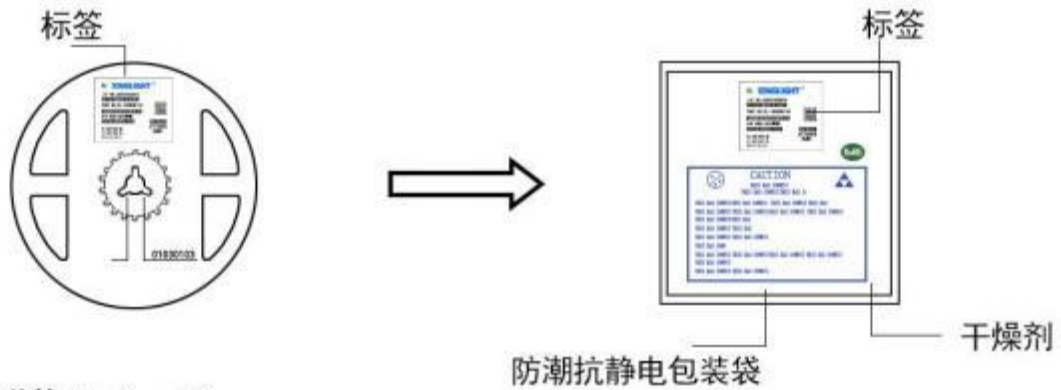
#### ◇ 圆盘及载带卷出方向及空穴规格 Disk and carrier belt direction of roll and hole dimensions



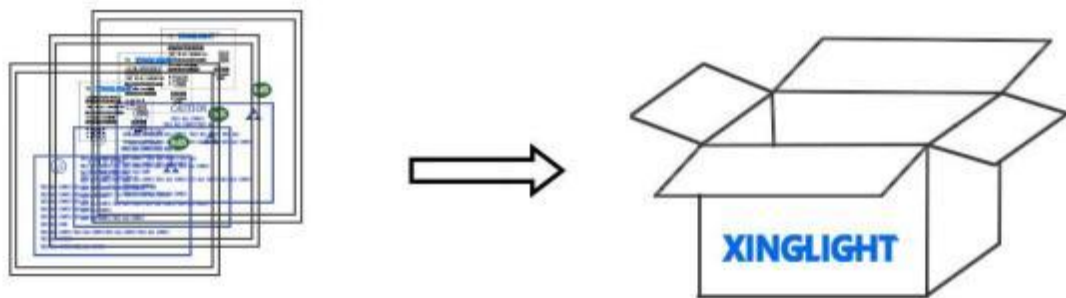
## 包装 (2)

### Packaging (2)

#### ◇ 防潮防静电包装 Moisture Proof and Anti-Electrostatic Foil Bag



#### ◇ 外包装箱 Cardboard Box



Capacity 5 or 10 reels per box (内箱容量: 50或100卷)

#### ◇ 标签说明: Label Explanation

- LOT NO: 批次信息
- PART NO: 产品型号
- BIN CODE: 产品名称
- WL: 波长范围
- IV: 光强范围
- VF: 电压范围



## 焊接指导 (1)

### Guideline for Soldering (I)

#### 1. 使用烙铁人手焊接

##### Hand Soldering

只建议在修理和重工的情况下使用手工焊接；推荐使用功率低于 30 W 的烙铁，焊接时烙铁的温度必须保持在 300°C 以下，且每个电极只能进行一次焊接，每次焊接的持续时间不得超过 3 秒。

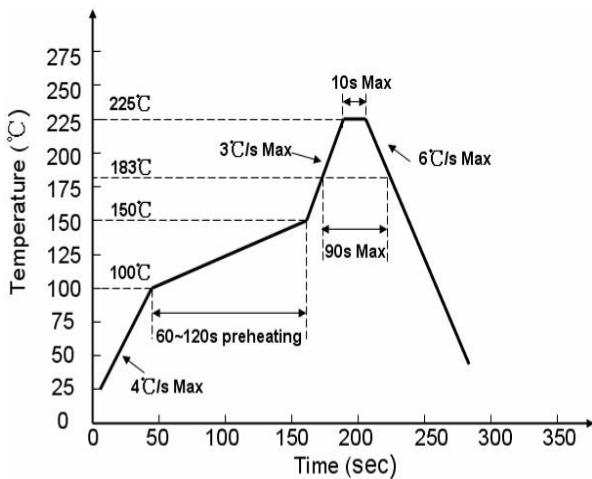
人手焊接过程中的不慎操作易引起 LED 产品的损坏，应当小心谨慎。

Manual welding is recommended only for repair and heavy industry situations. A soldering iron of less than 30W is recommended to be used in Hand Soldering. Please keep the temperature of the soldering iron under 300°C while soldering. Each terminal of the LED is to go for less than 3 second and for one time only.

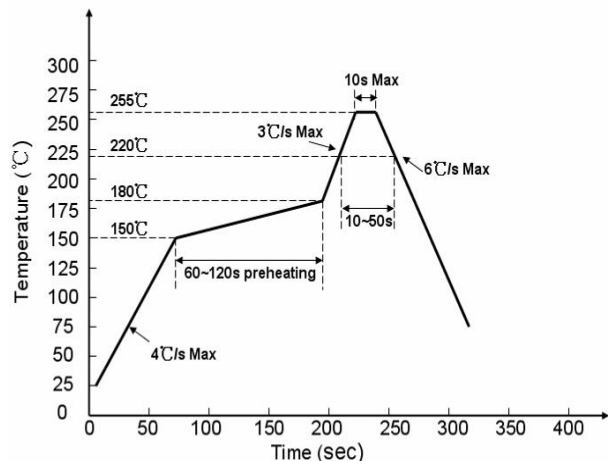
Be careful because the damage of the product is often started at the time of the hand soldering.

#### 2. 回流焊接： 推荐使用以下无铅回流焊接温度图进行。

**Reflow Soldering:** Use the conditions shown in the under Figure of Pb -Free Reflow Soldering.



有铅制程 Lead process



无铅制程 lead free

回流焊接最多只能进行两次。

Reflow soldering should not be done more than two times.

在回流焊接升温过程中，请不要对 LED 施加任何压力。

Stress on the LEDs should be avoided during heating in soldering process.

在焊接完成后，待产品温度下降到室温之后，再进行其他处理。

After soldering, do not deal with the product before its temperature drop down to room temperature.

---

## 焊接指导 (2)

---

### Guideline for Soldering (2)

#### 3. 清洗:

##### Cleaning

在焊接后推荐使用酒精进行清洗，在温度不高于 30°C 的条件下持续 3 分钟，不高于 50°C 的条件下持续 30 秒。

使用其他类似溶剂清洗前，请先确认使用的溶剂不会对 LED 的封装和环氧树脂部分造成损伤。超声波清洗也是有效的方法，一般最大功率不应超过 300W，否则可能对 LED 造成损伤。请根据具体的情况预先测试清洗条件是否会对 LED 造成损伤。

It is recommended that alcohol be used as a solvent for cleaning after soldering. Cleaning is to go under 30°C for 3 minutes or 50°C for 30 seconds. When using other solvents, it should be confirmed beforehand whether the solvents will dissolve the package and the resin or not.

Ultrasonic cleaning is also an effective way for cleaning. But the influence of Ultrasonic cleaning on LED depends on factors such as ultrasonic power. Generally, the ultrasonic power should not be higher than 300W. Before cleaning, a pretest should be done to confirm whether any damage to LEDs will occur.

**\* 注意：** 此一般指导原则并不适用于所有 PCB 设计和焊接设备的配置。具体工艺受到诸多因素的影响，请根据特定的 PCB 设计和焊接设备来确定焊接方案。

**\* Note:** This general guideline may not apply to all PCB designs and configurations of all soldering equipment. The technics in practise is influenced by many factors, it should be specialized base on the PCB designs and configurations of the soldering equipment..



---

## 使用注意事项 (1)

---

### Precautions (1)

#### 1. 贮存:

##### Storage

- 本产品使用密封防潮抗静电袋包装，并附有干燥剂，未开封的产品有一年的保存时间。

Moisture proof and anti-electrostatic package with moisture absorbent material is used, to keep moisture to a minimum.

- 开封前，产品须存放在温度不高于 30℃，湿度不高于 60%RH 的环境中。

Before opening the package, the product should be kept at 30℃ or less and umidity less than 60% RH, and be used within a year.

- 开封后，产品须存放在温度不高于 30℃，湿度不高于 10%RH 的环境中，且应该在 168 小时（7 天）内使用完。建议工作环境为温度不高于 30℃，湿度不高于 60%RH。

After opening the package, the product should be stored at 30℃ or less and humidity less than 10%RH, and be soldered within 168 hours (7 days). It is recommended that the product be operated at the workshop condition of 30℃ or less and humidity less than 60%RH.

- 对于尚未焊接的 LED，如果吸湿剂或包装失效，或者产品没有符合以上有效存储条件，烘焙可以起到一定的性能恢复效果。烘焙条件：60±5) °C，持续24 小时。

If the moisture absorbent material has fade away or the LEDs have exceeded the storage time, baking treatment should be performed based on the following condition: (60±5)°C for 24 hours.

#### 2. 静电:

##### Static Electricity

静电和电涌会导致产品特性发生改变，例如正向电压降低等，如果情况严重甚至会损毁产品。所以在使用时必须采取有效的防静电措施。所有相关的设备和机器都应该正确接地，同时必须采取其他防止静电和电涌的措施。使用防静电手环，防静电垫子，防静电工作服、工作鞋、手套，防静电容器，都是有效的防止静电和电涌的措施。

Static electricity or surge voltage damages the LEDs. Damaged LEDs will show some unusual characteristic such as the forward voltage becomes lower, or the LEDs do not light at the low current. even not light.

All devices, equipment and machinery must be properly grounded. At the same time, it is recommended that wrist bands or anti-electrostatic gloves, anti-electrostatic containers be used when dealing with the LEDs.

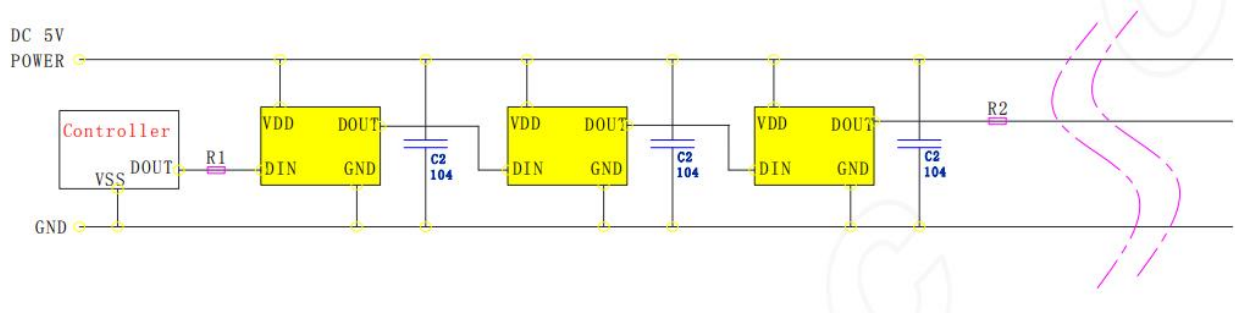


## 使用注意事项 (2)

### Precautions (2)

#### 3. 设计建议:

##### Design Consideration



在实际应用电路中,为防止产品在测试时带电插拔产生的瞬间高压损伤 IC 内部电源及 信号输入输出脚,应在信号输入及输出端串接保护电阻。此外,为了使各 IC 芯片间更 稳定工作,各灯珠间的退偶电容则必不可少;

1. 产品两端所并的退偶电容一般不建议省略;
2. 产品的信号输入及输出端必需串接保护电阻 R1/R2,因线材及传输距离不同,在信号线两端串接的保护电阻会略有不同; R1/R2 的大小取决于级联灯珠的数量,级联数量越多,则 R1/R2 越小,灯珠间传输距离长,一般建议在 20-2K  $\Omega$  之间取值,建议通常建议取值 在 500 欧左右;以实际使用情况定,R2 可接地。

In practical application circuits,To prevent instantaneous high voltage generated by live plugging during product testing Damage to IC internal power supply and signal input/output pins Protective resistors should be connected in series at the signal input and output terminals .In addition, in order to ensure more stable operation between IC chips The decoupling capacitance between each lamp bead is essential:

- 1、 It is generally not recommended to omit the decoupling capacitors connected at both ends of the pr... ;
- 2、 The signal input and output terminals of the product must be connected in series with protective r...; Due to differences in wire material and transmission distance; The size of r1/r2 depends on the number of cascaded lamp beads , The more cascades, the smaller r1/r2 ; Long transmission distance between lamp beads , Generally recommended between 20-2k  $\omega$  Value between , The recommended value is usually around 500 euros; Based on actual usage,R2 can be grounded .

## 使用注意事项 (3)

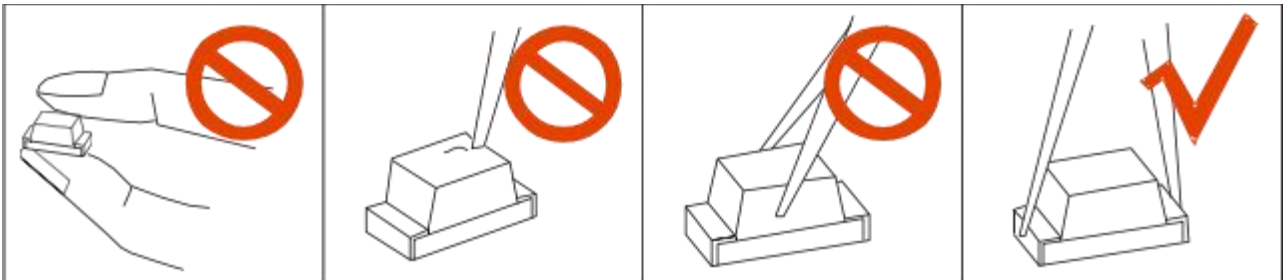
### Precautions (3)

#### 4. 其他事项:

##### Others

直接用手拿取产品不但会污染封装树脂表面,也可能由于静电等因素导致产品性能的改变。过度的压力也可能直接影响封装内部的管芯和金线,因此请勿对产品施加过度压力,特别当产品处于高温状态下,例如在回流焊接过程中。

When handling the product, touching the encapsulant with bare hands will not only contaminate its surface, but also affect on its optical characteristics. Excessive force to the encapsulant might result in catastrophic failure of the LEDs due to die breakage or wire deformation. For this reason, please do not put excessive stress on LEDs, especially when the LEDs are heated such as during Reflow Soldering.



LED 的环氧树脂封装部分相当脆弱,请勿用坚硬、尖锐的物体刮、擦封装树脂部分。在用镊子夹取的时候也应当小心注意。

The epoxy resin of encapsulant is fragile, so please avoid scratch or friction over the epoxy resin surface.

While handling the product with tweezers, do not hold by the epoxy resin, be careful.

#### 5. 眼睛保护忠告:

##### Safety Advice For Human Eyes

LED 发光时,请勿直视发光光源,特别是对于一些光强较高的 LED,强光可能伤害你的眼睛。

Viewing direct to the light emitting center of the LEDs, especially those of great Luminous Intensity, will cause great hazard to human eyes. Please be careful.