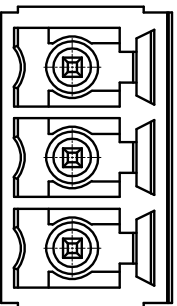
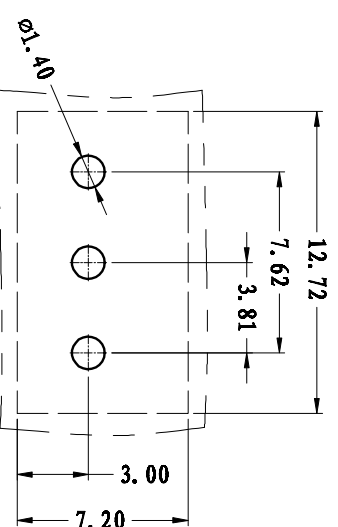
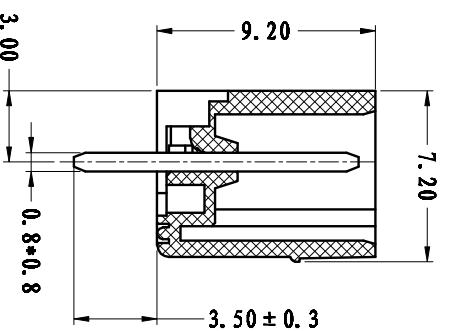
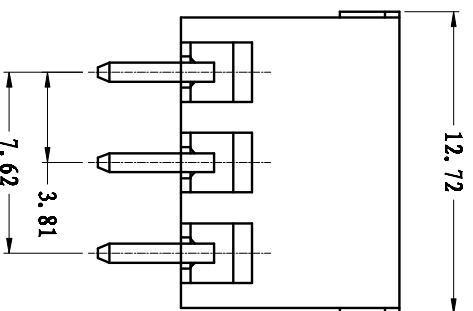


REVISION RECORD		REV.	CONTENT	MOD.	DATE
		1	初版发行		



NOTES:
 Pitch : 3.81mm
 Rated Voltage : 300V
 Rated Current : 8 A
 Withstand Voltage :
 AC2500V for 1 minute
 Insulation Resistance :
 500M Ω / DC500V
 Using Temperature Range :
 -40 $^{\circ}$ C ~ + 105 $^{\circ}$ C

技术要求:
 间距: 3.81mm
 额定电压: 300V
 额定电流: 8A
 耐受电压: AC2500V/min
 绝缘阻抗: 500M Ω /DC500V
 使用条件: -40 $^{\circ}$ C~+105 $^{\circ}$ C



Tolerance	pitch dimension			Nominal dimension					
	over	to	under	over	to	under	over	to	under
±0.1	0	to	6	6	to	10	10	to	24
±0.15	0	to	6	30	to	60	60	to	100
±0.25	0	to	10	30	to	60	100	to	150
±0.2	0	to	30	60	to	100	150		

2	LZ1-3.81-直杆	1003B001AY	P	黄铜	数量
1	LZ1-3.81-本体	1003A07XAY	1	PA66	
NO.	NAME OF PART	NO. OF PART	Q'TY	MATERIAL	NOTES
DES.	DATE	DATE	UNITS	MM	THIRD ANGLE PROJECTION
CHK.	DATE	DATE	SIZE	A4	SHEET
APP.	DATE	DATE	SCALE	1:1	1 of 1
				DWG NO.	SP-2-1003003
				TITLE	LZ1V-3.81-3P-1Y-00A
					LZ1V-3.81-成品



上海联捷电气有限公司
 Shanghai Blizard Electric Co., Ltd