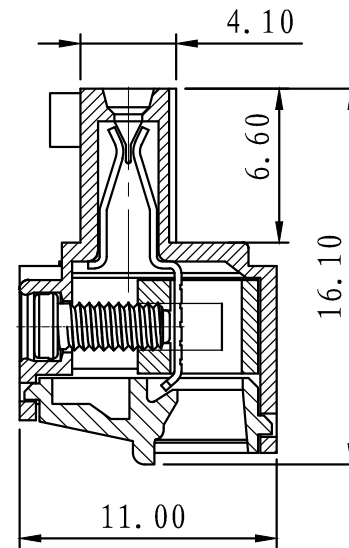
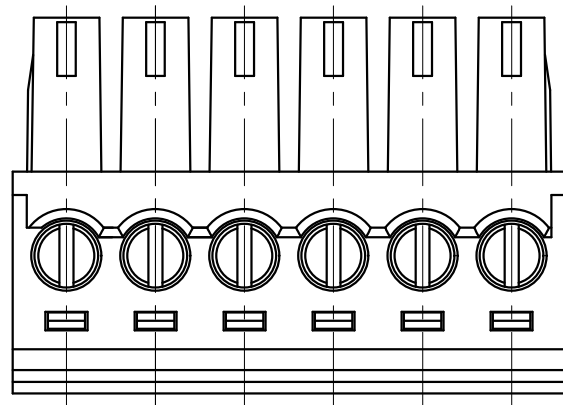
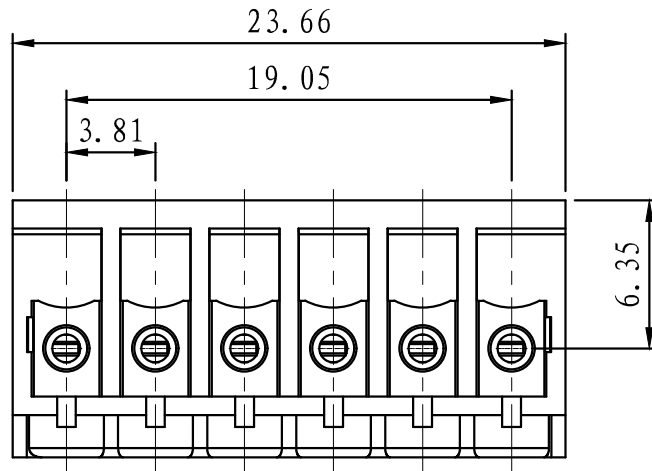


| REVISION RECORD | | | |
|-----------------|---------|------|------|
| REV. | CONTENT | MOD. | DATE |
| △ | 新发行 | | |



NOTES:

1. Voltage Rating: 300V, Current Rating: 8A
2. PITCH: 3.81mm
3. Insulation Withstands Voltage: AC2500V/min
4. Using Temperature Range: $-40^{\circ}\text{C} - +105^{\circ}\text{C}$
5. Suitable Electric Wire: 28-16AWG
6. Screw Torque Value: 0.2Nm

技术要求:

1. 额定电压: 300V, 额定电流: 8A
2. 间距: 3.81mm
3. 耐电压值: AC 2500V/min
4. 使用条件: $-40^{\circ} - +105^{\circ}$
5. 适用线规: 28-16AWG
6. 螺丝扭力: 0.2Nm

| variable range | pitch dimension | | | Nominal dimension | | | | | — / |
|----------------|-----------------|-----------------|------------------|-------------------|------------------|-------------------|--------------------|-----------|---------|
| | over 0 to 6 | over 6 to 10 | over 10 to 24 | over 0 to 30 | over 30 to 60 | over 60 to 100 | over 100 to 150 | over 150 | |
| Tolerance | ± 0.1 | ± 0.15 | ± 0.25 | ± 0.2 | ± 0.3 | ± 0.5 | ± 0.7 | ± 1.0 | 0.05/10 |

| 5 | LC1-3.81-螺丝 | SPOYA204801V | 5 | 碳钢 | 三价铬钝化彩锌 |
|--|--------------|--------------|----------|----------|-----------------------------------|
| 4 | LC1-3.81-夹子 | 1002B0001AV | 5 | 磷青铜 | 镀锡 |
| 3 | LC1-3.81-铜方块 | F1A0BLC3813V | 5 | 黄铜 | 镀镍 |
| 2 | LC1-3.81-盖子 | 1002C0YXXAV | 1 | PA66-V0 | |
| 1 | LC1-3.81-本体 | 1002A0YXXAV | 1 | PA66-V0 | |
| NO. | NAME OF PART | NO. OF PART | Q'TY | MATERIAL | NOTES |
| DES. | ARKINE | DATE | 2010/5/8 | UNITS | mm |
| CHK. | | DATE | | SIZE | A4 |
| APP. | | DATE | | SCALE | 1:1 |
| | | | | DWG NO. | SP-2-1002002 |
| | | | | REV: | V0 |
| 上海联捷电气有限公司 Shanghai Elinker Electric CO., LTD | | | | TITLE | LC1-3.81-6P-1Y-00A LC1-3.81-成品 |