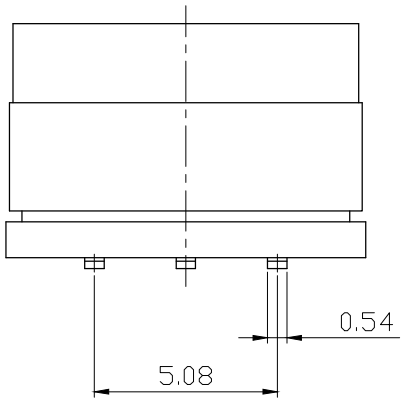
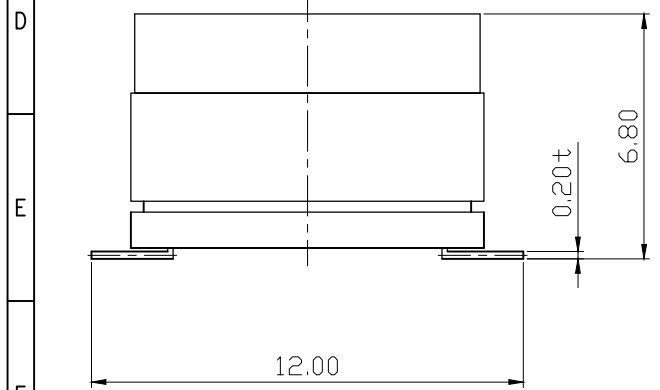


### SPECIFICATION

1. Rating : 150mA, 42V DC (Switching)  
200mA, 42V DC (None-Switching)
2. Contact Resistance : 80mΩ Max
3. Insulation Resistance : 100MΩ Min
4. Operating Force : 700gf Max
5. Life cycle : 10,000 steps
6. Sealing : IP67



P.C.B DIMENSION (TOP VIEW)

		Real Code				
		C	1	2	4	8
10 P o s i t i o n	0	●				
	1	●	●			
	2	●		●		
	3	●	●			
	4	●			●	
	5	●	●		●	
	6	●		●	●	
	7	●	●			●
	8	●				●
	9	●	●			●
16 P o s i t i o n	A	●	●			●
	B	●		●		●
	C	●			●	●
	D	●	●		●	●
	E	●		●	●	●
	F	●	●	●	●	●

△			
△			
△			
△			
△			
SYM	DISCRIPTION	DATE	APPROVED
1			
2			
3			



蘇州寰立電子有限公司  
HUANLI ELECTRONICS CO., LTD.

TOLERANCES UNLESS OTHERWISE SPECIFIED LINEAR: ±0.30 ANGULAR: ±3'	SIGNATURES		DATE	TITLE ROTARY SW
	DRAWN	Alvin	2016.08.18	
	CHK'D	Weiwei	2016.08.18	
REVISIONS A	SCALE 5/1	APPV'D Gavin	2016.08.18	NO. RS05-DR-10S-H004