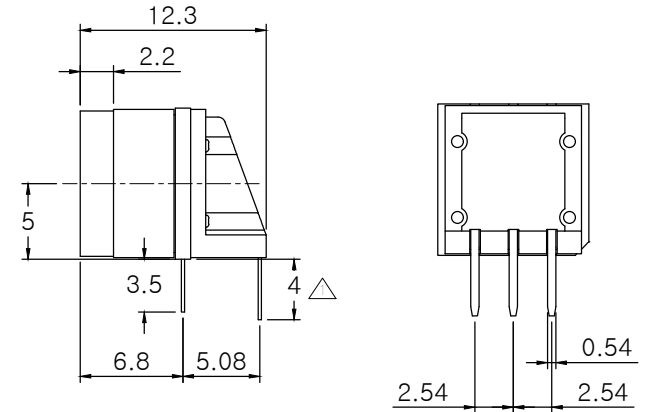
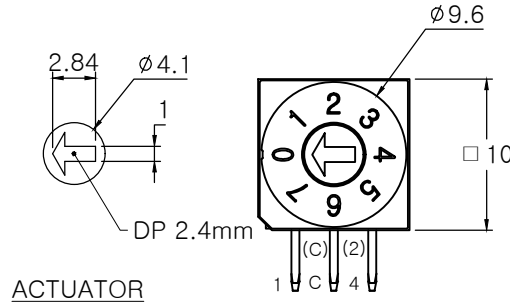
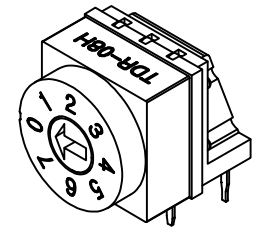
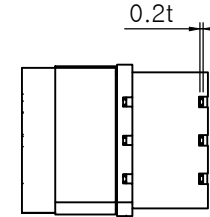
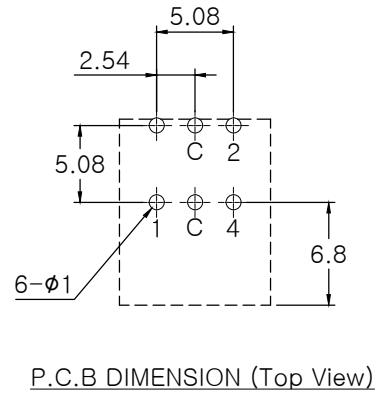


SPECIFICATION

1. Rating : 150mA, DC 42V (Switchin
200mA, DC 42V (None-Switching))
2. Contact Resistance : 80mΩ M
3. Insulation Resistance : 100MΩ Min at DC 25
4. Operating Force : 700gf M
5. Life cycle : 10,000 ste
6. Sealing : IP67 (Dust & Water proo)
7. Packing : 50pcs Tu



		Real Coded				
		C	1	2	4	
08 P o s i t i o n	0	●				0
	1	●	●			1
	2	●		●		2
	3	●	●	●		3
	4	●			●	4
	5	●	●		●	5
	6	●		●	●	6
	7	●	●	●	●	7



△			
△			
△			
△			
△			
SYM	DISCIPTION	DATE	APPROVED



蘇州寰立電子有限公司
HUANLI ELECTRONICS CO., LTD.

TOLERANCES UNLESS OTHERWISE SPECIFIED LINEAR: ±0.30 ANGULAR: ±3'		SIGNATURES		DATE	TITLE
DRAWN		Alvin		2016.08.18	ROTARY SW
CHK'D		Weiwei		2016.08.18	
APPV'D		Gavin		2016.08.18	
REVISIONS	SCALE	NO.		RS05-DR-08H-H004	
A	5/1				