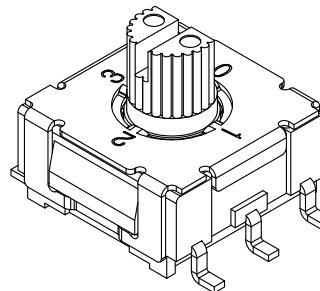
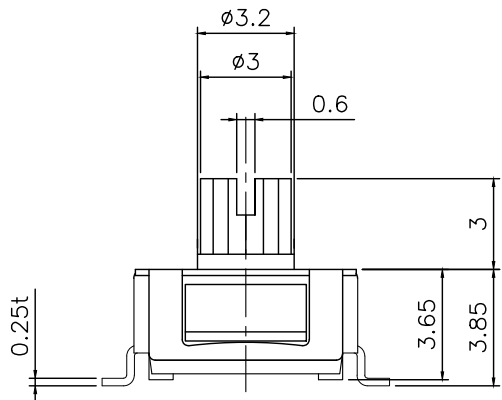
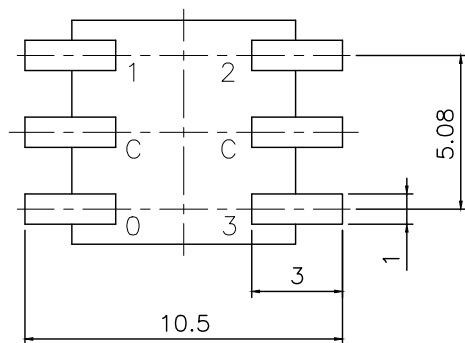


SPECIFICATION

- Operating Voltage : 42V
(None-Switching : 400mA)
(Switching : 100mA)
- Contact Resistance : 80mΩ Max
- Insulation Resistance : 100MΩ Min
- Operating Force : 120gf.cm ±30 Max
- Life Cycle : 25,000 steps
- Sealing : Comparable IP67



		Coded			
	C	0	1	2	3
0	●	●			
1	●		●		
2	●			●	
3	●				●



P.C.B DIMENSION

△			
△			
△			
△			
△			
SYM	DISCIPTION	DATE	APPROVED



寰立
HUANLI

蘇州寰立電子有限公司
HUANLI ELECTRONICS CO., LTD.

TOLERANCES UNLESS OTHERWISE SPECIFIED LINEAR: ±0.30 ANGULAR: ±3'		SIGNATURES		DATE	TITLE
		DRAWN Alvin		2016.08.18	ROTARY SW
		CHK'D Weiwei		2016.08.18	NO. RS01-MM-04S-H004
		APPV'D Gavin		2016.08.18	
REVISIONS	SCALE				
A	5/1				