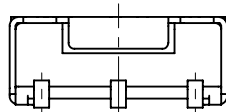
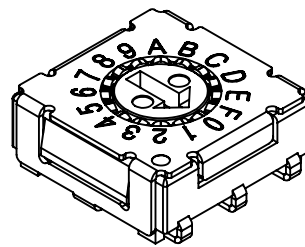
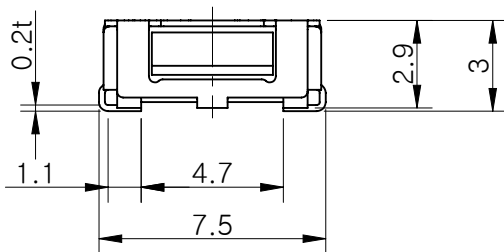
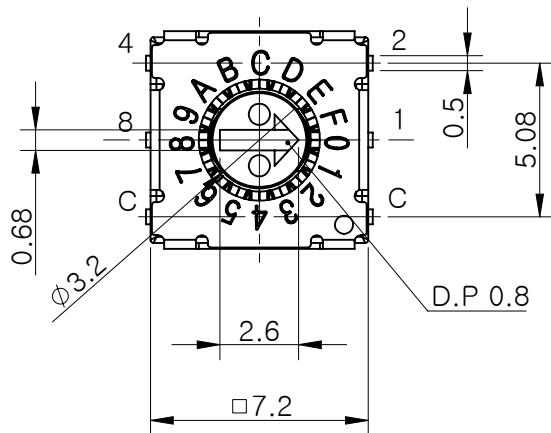


P.C.B DIMENSION



Specification

- Operating Voltage : 42V
(None-Switching : 100mA, DC50V)
(Switching : 100mA, DC5V)
- Contact Resistance : 100mΩ Max
- Insulation Resistance : 100MΩ Min
- Operating Force : 200gf.cm Max
- Life cycle : 10,000 steps
- Sealing : Comparable IP67

| | | Real Code | | | | |
|--|---|-----------|---|---|---|---|
| | | C | 1 | 2 | 4 | 8 |
| 10 P o s i t i o n | 0 | ● | | | | |
| | 1 | ● | ● | | | |
| | 2 | ● | | ● | | |
| | 3 | ● | ● | ● | | |
| | 4 | ● | | | ● | |
| | 5 | ● | ● | | ● | |
| | 6 | ● | | ● | ● | |
| | 7 | ● | ● | ● | ● | |
| | 8 | ● | | | | ● |
| | 9 | ● | ● | | | ● |
| 16 P o s i t i o n | A | ● | | ● | | ● |
| | B | ● | ● | ● | | ● |
| | C | ● | | | ● | ● |
| | D | ● | ● | | ● | ● |
| | E | ● | | ● | ● | ● |
| | F | ● | ● | ● | ● | ● |

STANDARD LAYOUT

| | | | |
|-----|------------|------|----------|
| △ | | | |
| △ | | | |
| △ | | | |
| △ | | | |
| △ | | | |
| SYM | DISCIPTION | DATE | APPROVED |



蘇州寰立電子有限公司
HUANLI ELECTRONICS CO., LTD.

| | | | | | |
|---|--|--------------|--|------------|----------------------|
| TOLERANCES UNLESS OTHERWISE SPECIFIED LINEAR: ±0.30 ANGULAR: ±3' | | SIGNATURES | | DATE | TITLE |
| | | DRAWN Alvin | | 2016.08.18 | ROTARY SW |
| REVISIONS | | CHK'D Weiwei | | 2016.08.18 | NO. RS10-DR-16J-H004 |
| A | | APPV'D Gavin | | 2016.08.18 | |
| | | SCALE | | | |
| | | 5/1 | | | |