

1 2 3 4 5 6 7 8 9 10

A

B

C

D

E

F

G

H

A

B

C

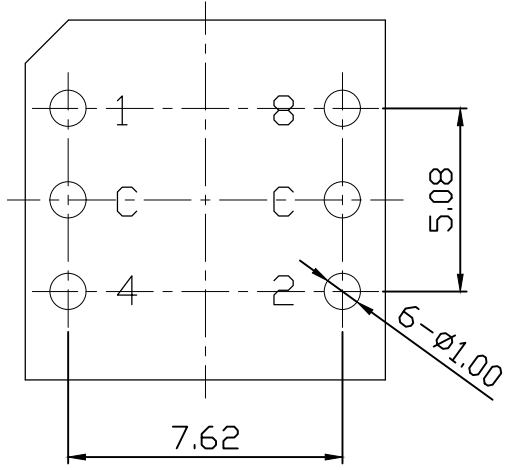
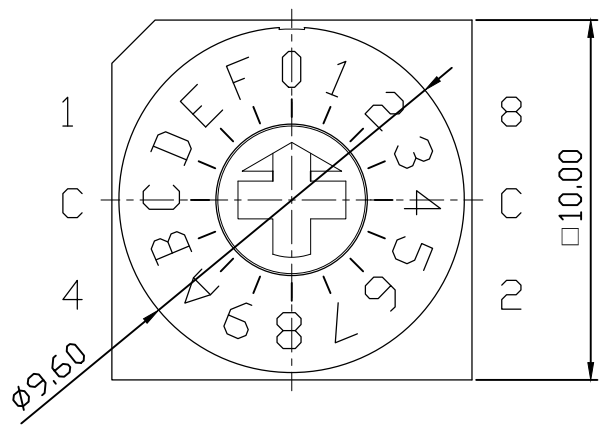
D

E

F

G

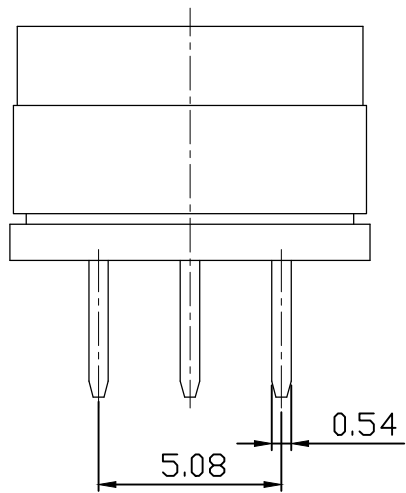
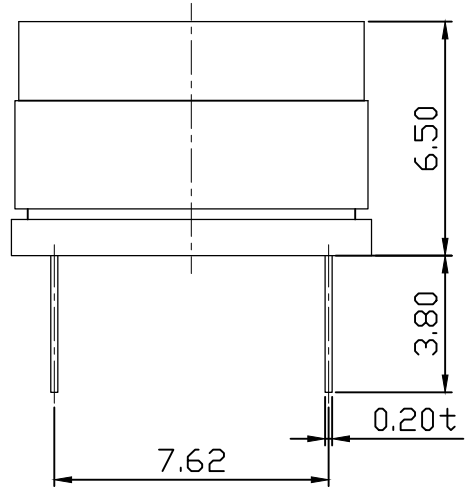
H



P.C.B DIMENSION(TOP VIEW)

SPECIFICATION

1. Rating : 150mA, 42V DC (Switching)
200mA, 42V DC (None-Switching)
2. Contact Resistance : 80mΩ Max
3. Insulation Resistance : 100MΩ Min
4. Operating Force : 700gf Max
5. Life cycle : 10,000 steps



		Real Code				
		C	1	2	4	8
10 P o s i t i o n	0	●				
	1	●	●			
	2	●		●		
	3	●	●	●		
	4	●			●	
	5	●	●		●	
	6	●		●	●	
	7	●	●	●	●	
	8	●				●
	9	●	●			●
16 P o s i t i o n	A	●		●		●
	B	●	●	●		●
	C	●			●	
	D	●	●		●	●
	E	●		●	●	●
	F	●	●	●	●	●

△			
△			
△			
△			
△			
SYM	DISCRIPTION	DATE	APPROVED
1			
2			
3			



蘇州寰立電子有限公司
HUANLI ELECTRONICS CO., LTD.

TOLERANCES UNLESS OTHERWISE SPECIFIED LINEAR: ±0.30 ANGULAR: ±3'		SIGNATURES		DATE	TITLE
		DRAWN Alvin		2016.08.18	ROTARY SW
		CHK'D Weiwei		2016.08.18	NO. RS05-ER-16-H004
		APPV'D Gavin		2016.08.18	
REVISIONS	SCALE				
A	5/1				

1 2 3 4 5 6 7 8 9 10