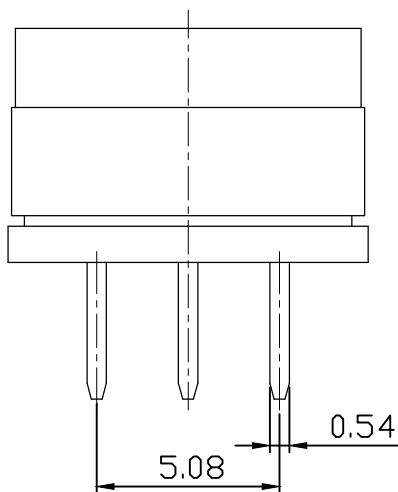
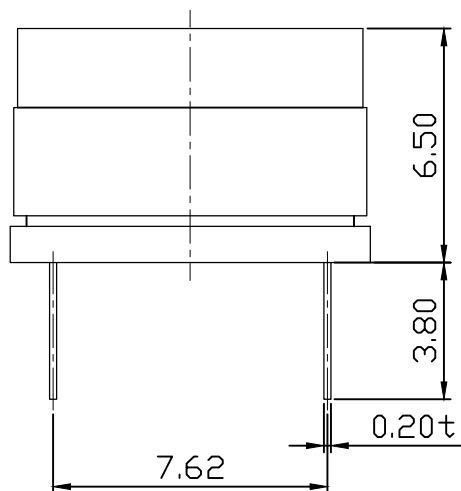


### SPECIFICATION

1. Rating : 150mA, 42V DC (Switching)  
200mA, 42V DC (None-Switching)
2. Contact Resistance : 80mΩ Max
3. Insulation Resistance : 100MΩ Min
4. Operating Force : 700gf Max
5. Life cycle : 10,000 steps

### P.C.B DIMENSION(TOP VIEW)



		Real Code				
		C	1	2	4	8
10 P o s i t i o n	0	●				
	1	●	●			
	2	●		●		
	3	●	●	●		
	4	●			●	
	5	●	●		●	
	6	●		●	●	
	7	●	●	●	●	
	8	●				●
	9	●	●			●
16 P o s i t i o n	A	●		●		●
	B	●	●	●		●
	C	●			●	●
	D	●	●		●	●
	E	●		●	●	●
	F	●	●	●	●	●

△			
△			
△			
△			
△			
SYM	DISCIPTION	DATE	APPROVED



蘇州寰立電子有限公司  
HUANLI ELECTRONICS CO., LTD.

TOLERANCES UNLESS OTHERWISE SPECIFIED LINEAR: ±0.30 ANGULAR: ±3'	SIGNATURES		DATE	TITLE ROTARY SW
	DRAWN	Alvin	2016.08.18	
	REVISIONS A	SCALE 5/1	CHK'D Weiwei	2016.08.18
		APPV'D Gavin	2016.08.18	