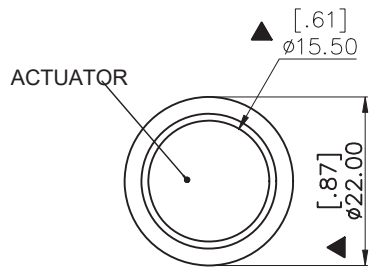


MPB19-XXXXXX-XX

MATERIAL:
 BUSHING: Aluminum alloy.
 BASE: PBT(UL 94-V0) ; PC(UL 94-V2)
 ACTUATOR: Aluminum alloy.
 INNER ASSEMBLY: POM / PA66.
 SPRING: Spring steel.
 SEALING: Silicone.
 O-Ring: Silicone.
 TERMINAL: Brass, silver plated.
 HEX NUT: Nickel plated brass.
 RoHS



Body type

D0	Stainless (Natural SUS),Flat
F3	Al alloy (Black Anodized),Flat
FA	Al alloy (Silver Anodized),Flat

Button type

F	Flat
---	------

Terminal plating

Q	Silver
R	Gold

Terminal shape

J	Solder Terminal
---	-----------------

Light type

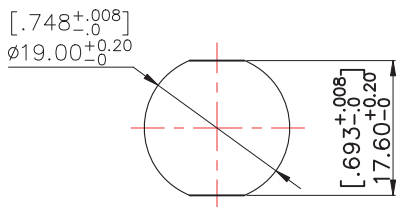
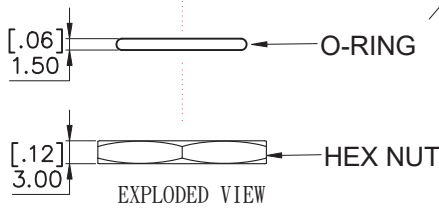
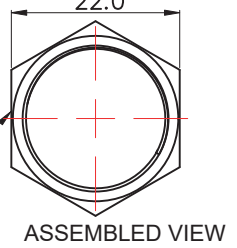
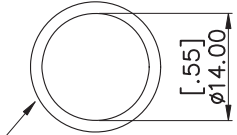
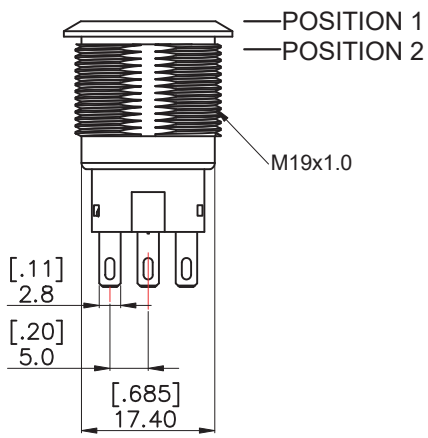
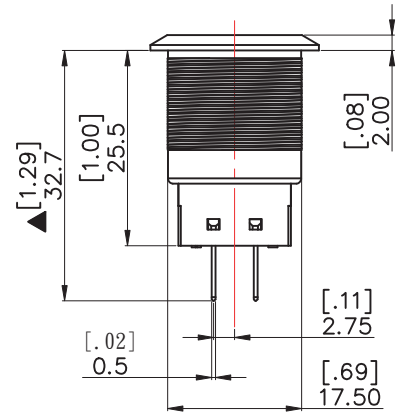
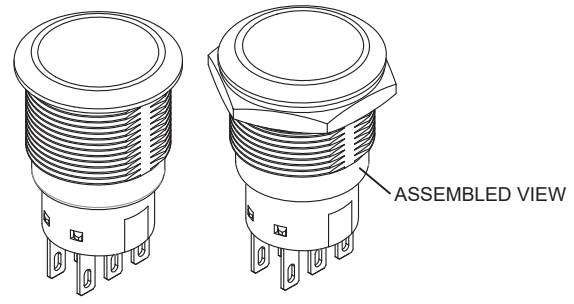
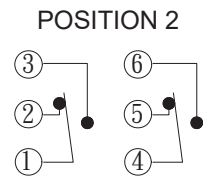
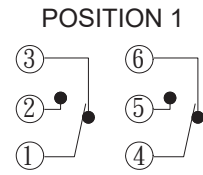
0	Without LED
---	-------------

Contact Configuration

1	1NO 1NC
2	2NO 2NC

Operating type

0	Momentary
1	LOCK



SPECIFICATIONS

- CONTACT MATERIAL: Brass, coin silver, silver plated.
- RATING: 1th 5A/250VAC. resistive load 3A/250VAC.
- ELECTRICAL LIFE: 50,000 MAKE-AND-BREAK CYCLES AT FULL LOAD.
- MECHANICAL LIFE: SELF-LOCK 500,000.
- INSULATION RESISTANCE: 1,000MΩ MIN AT 500VDC .
- DIELECTRIC STRENGTH: 2,000V RMS@sea level.
- CONTACT RESISTANCE: 50mΩ MAX.@1A 12VDC(initial value).
- OPERATING TEMPERATURE: -20°C to 55°C .
- TRAVEL: ABOUT 3.2mm.
- OPERATION PRESSURE: 1Pole 2.5±1N. / 2Pole 3.5±1N.
- INGRESS PROTECTION: IP67.
- TORQUE: 5~14Nm.

△			
△			
△			
△			
△			
SYM	DISCRIPTION	DATE	APPROVED



蘇州寰立電子有限公司
 HUANLI ELECTRONICS CO., LTD.

TOLERANCES UNLESS OTHERWISE SPECIFIED LINEAR: ±0.30 ANGULAR: ±3'		SIGNATURES		DATE	TITLE
DRAWN		Alvin	2024.03.28	METAL PUSHBUTTON SWITCH	
CHK'D		Weiwei	2024.03.28	NO.	
APPV'D		Gavin	2024.03.28	MPB19-FAF210-JQ	
REVISIONS	SCALE				
A	5/1				

