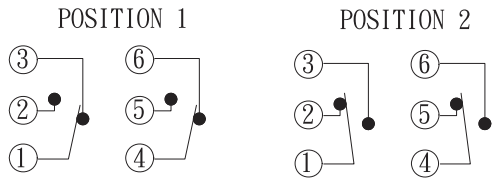


MPB19-XXXXXX-JQ



Body type

A0	Stainless (Natural)
B1	Brass (Mirror Chrome Plated)
B2	Brass (Nikel Plated)
C3	Al alloy (Black Anodized)
CA	Al alloy (Silver Anodized)

Button type
F Flat

Contact Configuration

1	1NO 1NC
2	2NO 2NC

Operating type

0	Momentary
1	LOCK

Terminal plating

Q	Silver
R	Gold

Terminal shape

J	Solder Terminal
---	-----------------

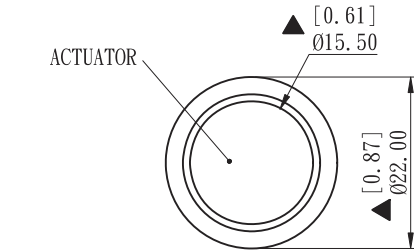
Light type

0	Without LED
R	Ring (Fixed)
D	Spot
E	Ring (Moveable)

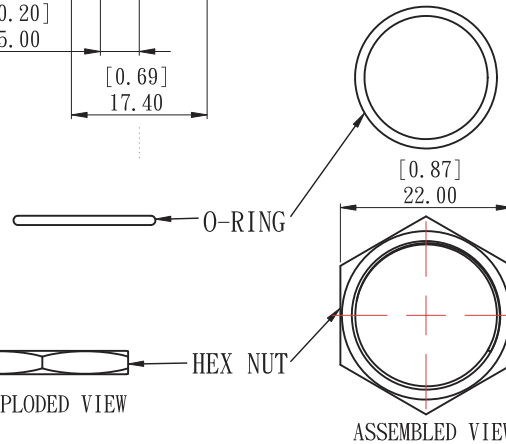
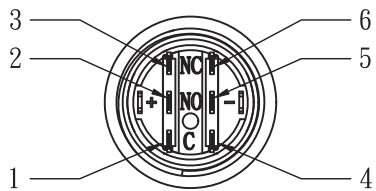
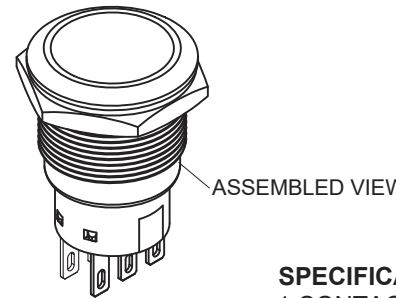
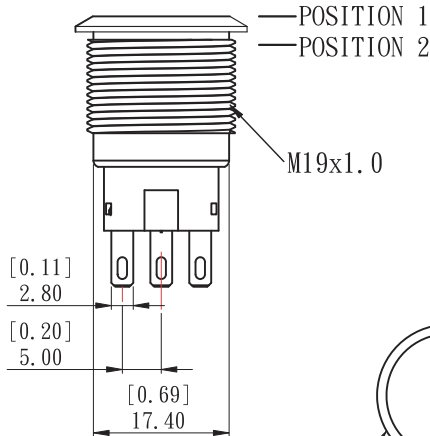
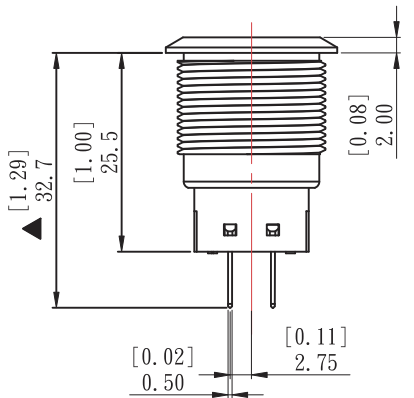
MATERIAL:
 BUSHING: Aluminum alloy.
 BASE: PBT(UL 94-V0) , PC(UL 94-V2)
 ACTUATOR: PC ; Aluminum alloy.
 INNER ASSEMBLY: POM/PA66.
 SPRING: Spring steel.
 SEALING: Silicone.
 O-Ring: Silicone.
 TERMINAL: Brass ,Silver plated.
 HEX NUT: Nickel plated brass.
 RoHS

SPECIFICATIONS

- CONTACT MATERIAL: SILVER.
- RATING: 1th 5A/250VAC. resistive load 3A/250VAC.
- ELECTRICAL LIFE: 50,000 MAKE-AND-BREAK CYCLES AT FULL LOAD.
- MECHANICAL LIFE: SELF-LOCK 500,000.
- INSULATION RESISTANCE: 1,000MΩ MIN AT 500VDC .
- DELECTRIC STRENGTH: 2,000V RMS@sea level.
- CONTACT RESISTANCE: 50mΩ MAX.@1A 12VDC(initial value).
- OPERATING TEMPERATURE: -20°C to 55°C .
- TRAVEL: ABOUT 3.2mm.
- OPERATION PRESSURE: 1Pole 2.5±1N. / 2Pole 3.5±1N.
- INGRESS PROTECTION: IP67



PANEL CUTOUT
 MAX. PANEL THICKNESS: 10.0mm[0.394]



蘇州寰立電子有限公司
 HUANLI ELECTRONICS CO., LTD.

△			
△			
△			
△			
△			
△			
SYM	DISCIPTION	DATE	APPROVED

TOLERANCES UNLESS OTHERWISE SPECIFIED LINEAR: ±0.30 ANGULAR: ±3°	SIGNATURES		DATE	TITLE
	DRAWN	Alvin	2010.12.05	METAL PUSHBUTTON SWITCH
	CHK'D	Weiwei	2010.12.05	NO.
REVISIONS A	SCALE 5/1	APPV'D Gavin	2010.12.05	MPB19-CAF210-JQ