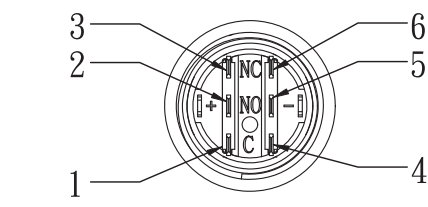
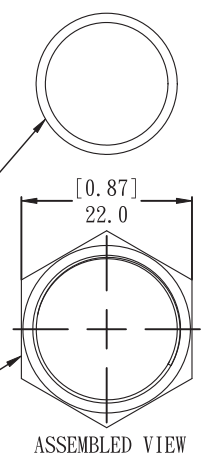
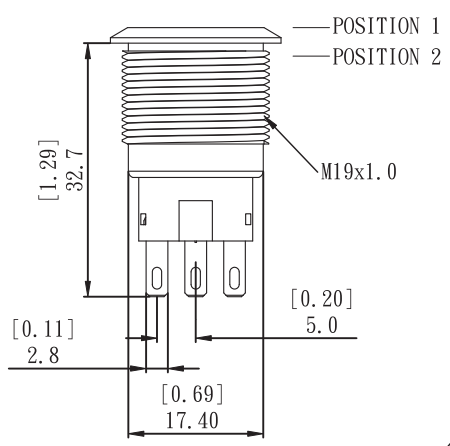
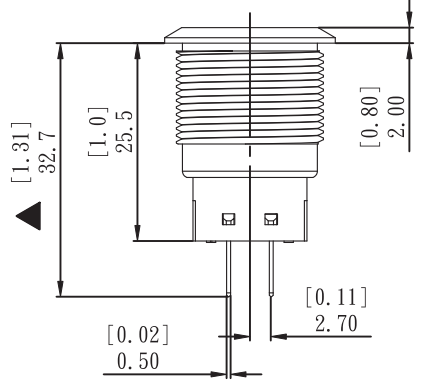
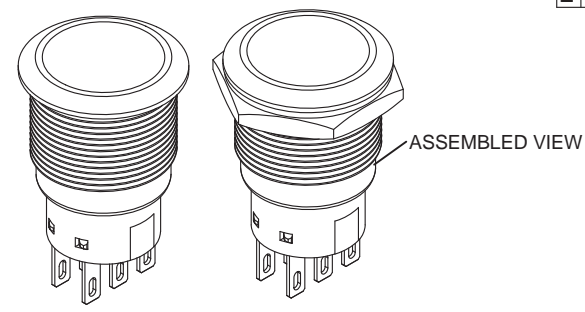
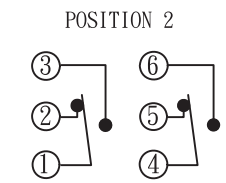
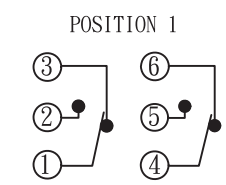
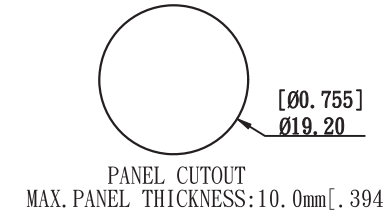
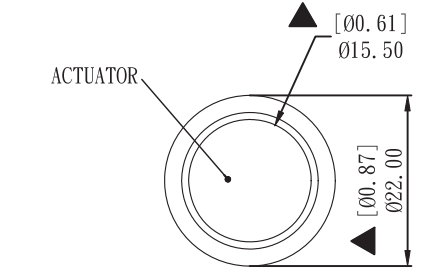
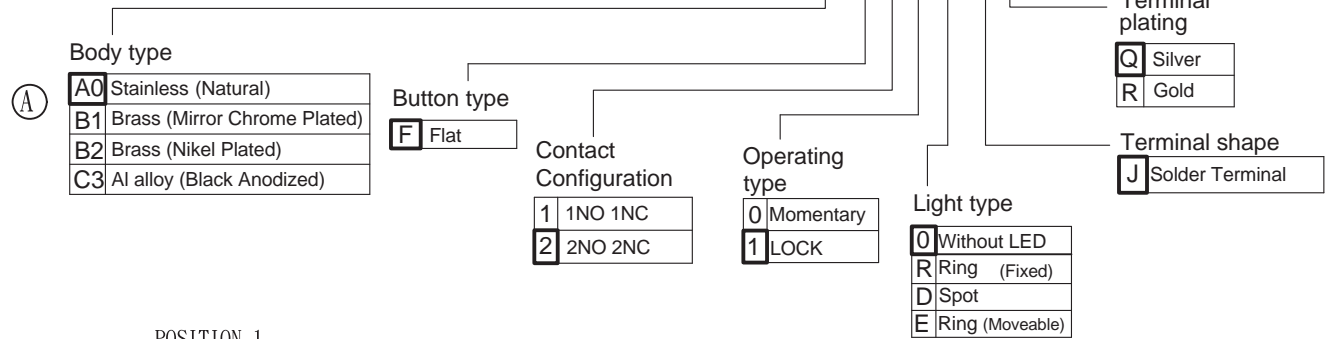


# MPB19-XXXXXR-JQ

MATERIAL: Stainless Steel.  
 BUSHING: Stainless Steel.  
 BASE: PBT(UL 94-V0) , PC(UL 94-V2)  
 ACTUATOR: PC ; Stainless Steel.  
 INNER ASSEMBLY: POM/PA66.  
 SPRING: Spring steel.  
 SEALING: Sillicone.  
 O-Ring: Sillicone.  
 TERMINAL/CONTACT: Copper ,Silver plated.  
 HEX NUT: Nickel plated brass.  
 RoHS



## SPECIFICATIONS

- 1.ALL DIMENSIONS IN mm[INCH].
- 2.CONTACT MATERIAL: SILVER.
- 3.RATING: lth 5A/250VAC. resistive load 3A/250VAC.
- 4.ELECTRICAL LIFE: 50,000 MAKE-AND-BREAK CYCLES AT FULL LOAD.
- 5.MECHANICAL LIFE: SELF-LOCK 500,000.
- 6.INSULATION RESISTANCE:1,000MΩ MIN AT 500VDC .
- 7.DELECTRIC STRENGTH: 2,000V RMS@sea level.
- 8.CONTACT RESISTANCE: 50mΩ MAX.@1A 12VDC(initial value).
- 9.OPERATING TEMPERATURE: -20°C to 55°C .
- 10.TRAVEL: ABOUT 3.2mm.
- 11.OPERATION PRESSURE:1Pole 2.5±1N. / 2Pole 3.5±1N.
- 12.INGRESS PROTECTION: IP67,IK10(Stainless).
- 13.TORQUE: 5~14Nm.

**寰立 蘇州寰立電子有限公司**  
**HUANLI HUANLI ELECTRONICS CO., LTD.**

符號	原尺寸	修改後尺寸	變更日期
1 (A)	更新Body type編碼,取消電源符號選項		JUN-04-2015
2 (B)			
3 (C)			
4 (D)			
5 (E)			

**SCALE(比例): 1:1**

**TOLERANCE (公差):**  
 0.00 mm ± 0.25mm  
 0.0 mm ± 0.40mm  
**ANGULAR: ± 2°**  
**FILE NAME : MPB19-0032**

<b>TITLE</b> 圖名	METAL PUSHBUTTON SWITCH	<b>SIZE</b> 圖紙	A4
<b>DWG NO.</b> 圖號	MPB19-A0F210-JQ	<b>UNIT</b> 單位	inch mm
<b>REV.</b> 版本	B	<b>DATE</b> 日期	MAR - 03 - 2015
<b>CHECKED BY</b> 審核	RICHARD	<b>SHEET</b> 張數	1 of 1
<b>DRAWN BY</b> 製圖	IRENE		