

Features

- Power-On Reset Generator with Adjustable Delay Time: 1.25ms to 10s.
- Very Low Quiescent Current: 2.8 μ A Typical
- High Threshold Accuracy: 0.5% Typ.
- Fixed Threshold Voltages for Standard Voltage Rails from 0.9V to 5V and Adjustable Voltage Down to 0.4V are available.
- Manual Reset ($\overline{\text{MR}}$) Input.
- Open-Drain $\overline{\text{RESET}}$ Output.
- Temperature Range: -40°C to +125°C
- Package:
SOT23-6L (TPS3808G01DBVR-TP)

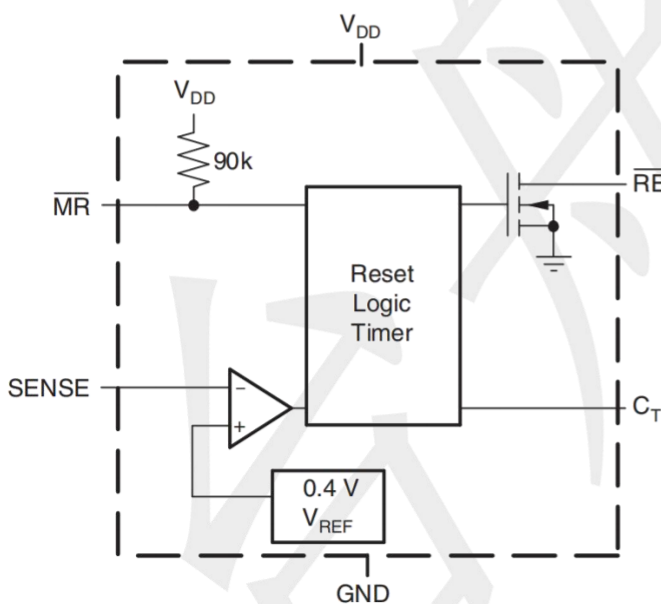
Description

The family of microprocessor supervisory circuits monitor system voltage from 0.4V to 5.0V, asserting an open-drain $\overline{\text{RESET}}$ signal when the SENSE voltage drops below a preset threshold or when the manual reset ($\overline{\text{MR}}$) pin drops to a logic low. The $\overline{\text{RESET}}$ output remains low for the user-adjustable delay time after the SENSE voltage and manual reset ($\overline{\text{MR}}$) return above the respective thresholds.

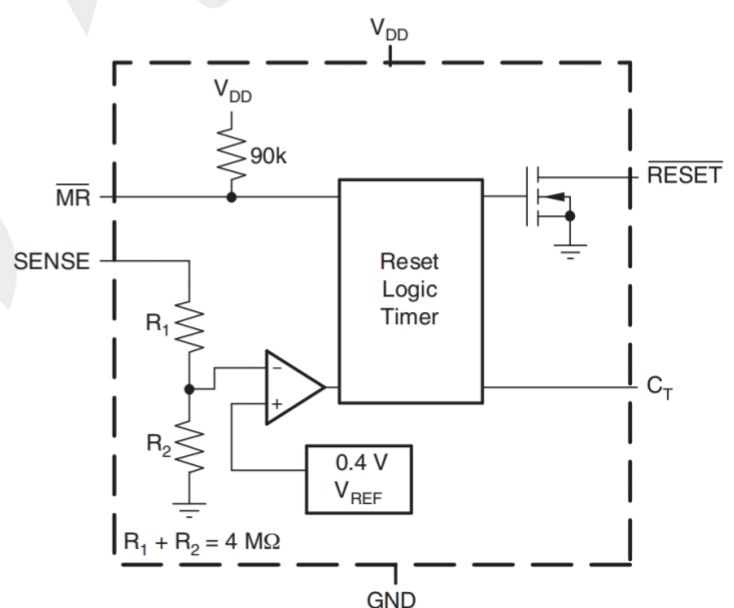
Applications

- DSP or Microcontroller Applications capacitor.
- Notebook/Desktop Computers
- FPGA/ASIC Applications
- Portable/Battery-Powered Products
- PDAs/Hand-Held Products
battery-powered applications.

Block Diagram

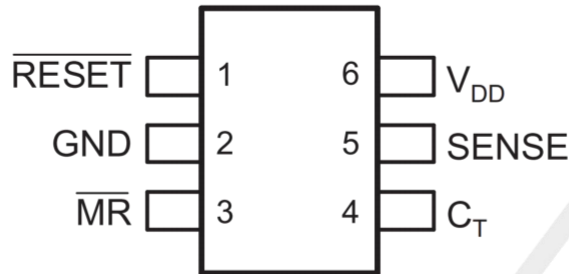


Adjustable-Voltage Version



Fixed-Voltage Version

Pin Definition



SOT23-6L

PIN CONFIGURATION

NAME	PIN		DESCRIPTION
	SOT-23-6L	I/O	
C_T	4	I	Reset period programming pin. Connecting this pin to V_{DD} through a 40-k Ω to 200-k Ω resistor or leaving it open results in fixed delay times (see Electrical Characteristics). Connecting this pin to a ground referenced capacitor ≥ 100 pF gives user-programmable delay time. See the Selecting the Reset Delay Time for more information.
GND	2	—	Ground
$\overline{\text{MR}}$	3	I	Manual reset. Driving this pin low asserts $\overline{\text{RESET}}$. $\overline{\text{MR}}$ is internally tied to V_{DD} by a 90-k Ω pullup resistor.
$\overline{\text{RESET}}$	1	O	Reset. This is an open-drain output that is driven to a low impedance state when $\overline{\text{RESET}}$ is asserted (either the SENSE input is lower than the threshold voltage (V_{IT}) or the $\overline{\text{MR}}$ pin is set to a logic low). $\overline{\text{RESET}}$ remains low (asserted) for the reset period after both SENSE is above V_{IT} and $\overline{\text{MR}}$ is set to a logic high. A pullup resistor from 10 k Ω to 1 M Ω must be used on this pin and allows the reset pin to attain voltages higher than V_{DD} .
SENSE	5	I	Voltage sense. This pin is connected to the voltage to be monitored. If the voltage at this terminal drops below the threshold voltage (V_{IT}), $\overline{\text{RESET}}$ is asserted.
V_{DD}	6	I	Supply voltage. It is good analog design practice to place a 0.1- μF ceramic capacitor close to this pin.
Thermal Pad	—	—	Thermal pad; connect to ground plan to enhance thermal performance of the package.

Absolute Maximum Ratings

over operating free-air temperature range (unless otherwise noted)

SYMBOL	PARAMETER	RATINGS	UNIT
V _{DD}	Input Voltage Range	-0.3 ~ +7V	V
V _{CT}	C _T Voltage Range	-0.3 ~ V _{DD} +0.3V	V
V _{RESET}	Other Voltage Range	-0.3 ~ +7V	V
V _{MR}	Other Voltage Range	-0.3 ~ +7V	V
V _{SENSE}	Other Voltage Range	-0.3 ~ +7V	V
I _{RESET}	RESET pin Current	5mA	mA
T _J	Operating Junction Temperature Range	-40 ~ +125	°C
T _{stg}	Storage temperature range	-65 ~ 150	°C

Note:

Stresses greater than those listed under MAXIMUM RATINGS may cause permanent damage to the device. This is a stress rating only and functional operation of the device at these or any other conditions above those indicated in the operational sections of this specification is not implied. Exposure to absolute maximum rating conditions for extended periods may affect reliability.

Recommended Operation Conditions

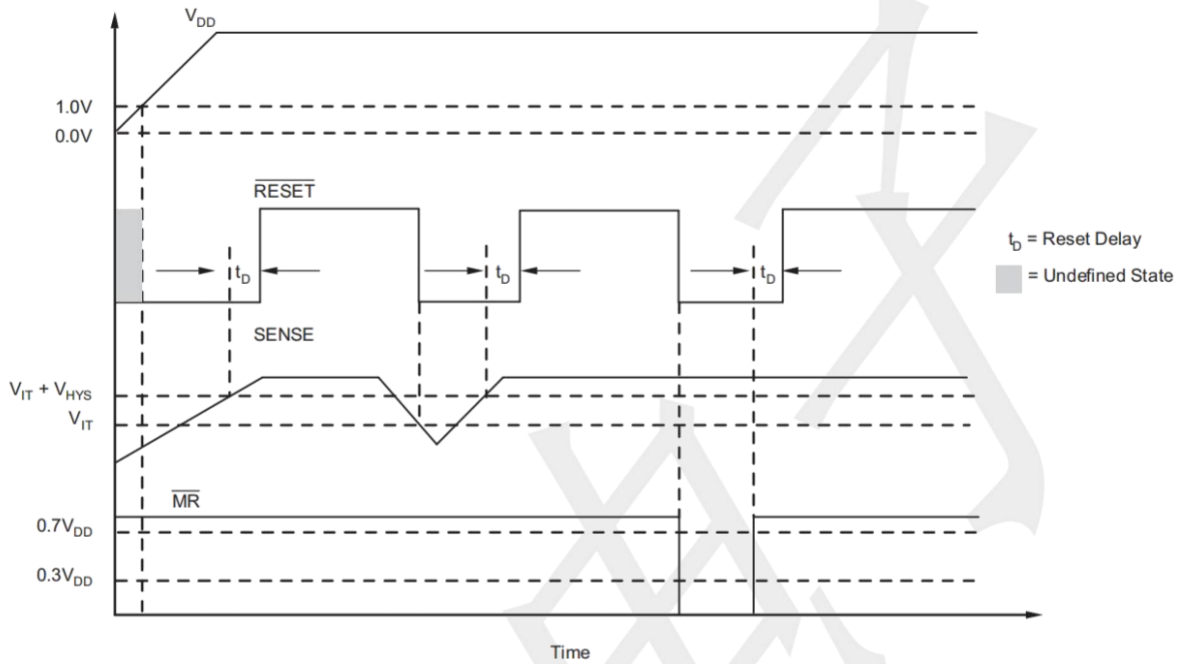
SYMBOL	PARAMETER	Test Conditions	Min.	Typ.	Max.	Unit
V _{DD}	Supply Voltage	--	1.7	--	6.5	V
V _{IH}	Input High Voltage MR	--	--	--	V _{DD}	V
	Input High Voltage for Open-drain RESET, SENSE	--	0	--	6.5	V
V _{IL}	Input Low Voltage MR.	--	--	--	V _{DD} +0.3	V
T _A	Operating Temperature	--	-40	--	125	°C

Electrical Characteristics

Unless otherwise specified, $-40^{\circ}\text{C} \leq T_A \leq 125^{\circ}\text{C}$, $1.7\text{V} \leq V_{\text{DD}} \leq 6.5\text{V}$, $R_{\text{RESET}} = 100\text{k}\Omega$, $C_{\text{RESET}} = 50\text{pF}$, Typical values are at $T_A = +25^{\circ}\text{C}$

PARAMETER		TEST CONDITIONS		MIN	TYP	MAX	UNIT
V_{DD}	Input supply range			1.7		6.5	V
I_{DD}	Supply current (into V_{DD} pin)	$V_{\text{DD}} = 3.3\text{V}$, RESET not asserted, MR, RESET, C_T open			2.8	5	μA
		$V_{\text{DD}} = 6.5\text{V}$, RESET not asserted, MR, RESET, C_T open			3.0	6	
V_{OL}	Low-level output voltage	$1.3\text{V} \leq V_{\text{DD}} < 1.8\text{V}$, $I_{\text{OL}} = 0.4\text{mA}$				0.3	V
		$1.3\text{V} \leq V_{\text{DD}} \leq 6.5\text{V}$, $I_{\text{OL}} = 1\text{mA}$				0.4	V
Power-up reset voltage ⁽¹⁾		$V_{\text{OL}}(\text{max}) = 0.2\text{V}$, $I_{\text{RESET}} = 15\mu\text{A}$				1.0	V
V_{IT}	Negative-going input threshold accuracy	TPAX3808G01		-2	± 1	2	%
		$V_{\text{IT}} \leq 3.3\text{V}$		-1.5	± 0.5	1.5	
		$3.3\text{V} < V_{\text{IT}} \leq 5\text{V}$		-2	± 1	2	
		$V_{\text{IT}} \leq 3.3\text{V}$	$-40^{\circ}\text{C} < T_J < 85^{\circ}\text{C}$	-1.25	± 0.5	1.25	
		$3.3\text{V} < V_{\text{IT}} \leq 5\text{V}$		-1.5	± 0.5	1.5	
V_{HYS}	Hysteresis on V_{IT} pin	TPAX3808G01			1.5		$\%V_{\text{IT}}$
		$-40^{\circ}\text{C} < T_J < 85^{\circ}\text{C}$			1	2	
R_{RM}	$\overline{\text{MR}}$ internal pullup resistance	$V_{\text{SENSE}} = V_{\text{IT}}$		70	90		$\text{k}\Omega$
I_{SENSE}	Input current at SENSE pin	TPAX3808G01		-25		25	nA
		$V_{\text{SENSE}} = 6.5\text{V}$			1.7		μA
I_{OH}	RESET leakage current	$V_{\text{RESET}} = 6.5\text{V}$, RESET not asserted				300	nA
C_{IN}	Input capacitance, any pin	C_T pin	$V_{\text{IN}} = 0\text{V to } V_{\text{DD}}$		5		pF
		Other pins	$V_{\text{IN}} = 0\text{V to } 6.5\text{V}$		5		
V_{IL}	$\overline{\text{MR}}$ logic low input			0		$0.3 V_{\text{DD}}$	V
V_{IH}	$\overline{\text{MR}}$ logic high input			$0.7 V_{\text{DD}}$		V_{DD}	V
t_d	RESET delay time	$C_T = \text{Open}$	See Timing Diagram	12	20	28	ms
		$C_T = V_{\text{DD}}$		180	300	420	
		$C_T = 100\text{pF}$		0.75	1.25	1.75	
		$C_T = 180\text{nF}$		0.7	1.2	1.7	
t_{pHL}	Propagation delay	MR to RESET	$V_{\text{IH}} = 0.7 V_{\text{DD}}$, $V_{\text{IL}} = 0.3 V_{\text{DD}}$		150		nS
	High-level to low-level RESET delay	SENSE to RESET	$V_{\text{IH}} = 1.05 V_{\text{IT}}$, $V_{\text{IL}} = 0.95 V_{\text{IT}}$		20		μS
t_w	Maximum transient duration	SENSE	$V_{\text{IH}} = 1.05 V_{\text{IT}}$, $V_{\text{IL}} = 0.95 V_{\text{IT}}$		20		μS
		MR	$V_{\text{IH}} = 0.7 V_{\text{DD}}$, $V_{\text{IL}} = 0.3 V_{\text{DD}}$		0.001		μS

Timing Diagram

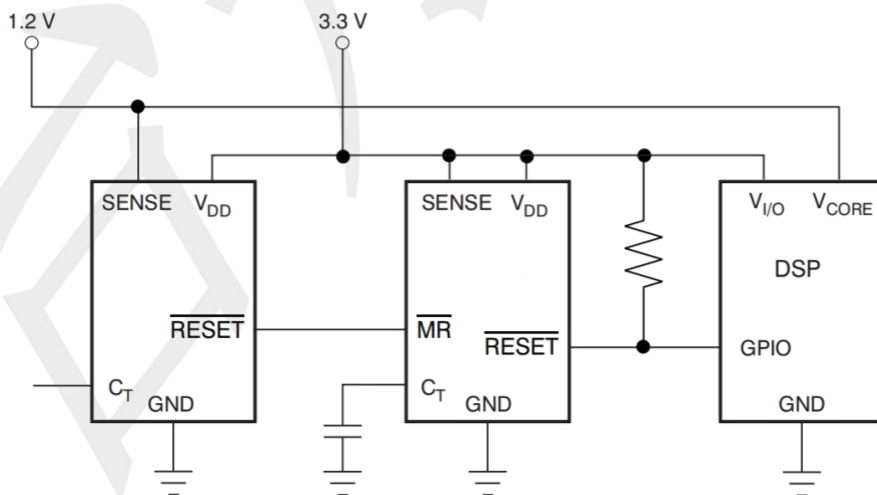


\overline{MR} and $SENSE$ Reset Timing Diagram

Truth Table

\overline{MR}	$SENSE > V_{IT}$	\overline{RESE}
L	0	L
L	1	L
H	0	L
H	1	H

Typical Application Schematic



Functional Description

The microprocessor supervisory product family is designed to assert a $\overline{\text{RESET}}$ signal when either the SENSE pin voltage drops below V_{IT} or the manual reset ($\overline{\text{MR}}$) is driven low. The $\overline{\text{RESET}}$ output remains asserted for a user-adjustable time after both the manual reset ($\overline{\text{MR}}$) and SENSE voltages return above the respective thresholds. A broad range of the voltage threshold and reset delay time adjustments are available, allowing these devices to be used in a wide array of applications. Reset threshold voltages can be factory-set from 0.82V to 3.3V or from 4.4V to 5.0V, while the can be set to any voltage above 0.405V using an external resistor divider. Two preset delay times are also user-selectable: connecting the C_T pin to V_{DD} results in a 300ms reset delay, while leaving the C_T pin open yields a 20ms reset delay. In addition, connecting a capacitor between C_T and GND allows the designer to select any reset delay period from 1.25ms to 10s.

RESET Output

The open-drain $\overline{\text{RESET}}$ output is typically connected to the $\overline{\text{RESET}}$ input of a microprocessor. A pull-up resistor must be used to hold this line high when $\overline{\text{RESET}}$ is not asserted. The $\overline{\text{RESET}}$ output is undefined for voltage below 1.0V, but this is normally not a problem since most microprocessors do not function below this voltage. $\overline{\text{RESET}}$ remains high (unasserted) as long as SENSE is above its threshold (V_{IT}) and the manual reset ($\overline{\text{MR}}$) is logic high. If either SENSE falls below V_{IT} or $\overline{\text{MR}}$ is driven low, $\overline{\text{RESET}}$ is asserted, driving the $\overline{\text{RESET}}$ pin to low impedance.

Once $\overline{\text{MR}}$ is again logic high and SENSE is above $V_{IT} + V_{HYS}$ (the threshold hysteresis), a delay circuit is enabled which holds $\overline{\text{RESET}}$ low for a specified reset delay period. Once the reset delay has expired, the $\overline{\text{RESET}}$ pin goes to a high impedance state. The pull-up resistor from the open-drain $\overline{\text{RESET}}$ to the supply line can be used to allow the reset signal for the microprocessor to have a voltage higher than V_{DD} (up to 6.5V). The pull-up resistor should be no smaller than 10k Ω as a result of the finite impedance of the $\overline{\text{RESET}}$ line.

SENSE Input

The SENSE input provides a pin at which any system voltage can be monitored. If the voltage on this pin drops below V_{IT} , then $\overline{\text{RESET}}$ is asserted. The comparator has a built-in hysteresis to ensure smooth $\overline{\text{RESET}}$ assertions and de-assertions. It is good analog design practice to put a 1nF to 10nF bypass capacitor on the SENSE input to reduce sensitivity to transients and layout parasitic.

The can be used to monitor any voltage rail down to 0.405V by resistor divider.

Manual Reset ($\overline{\text{MR}}$) Input

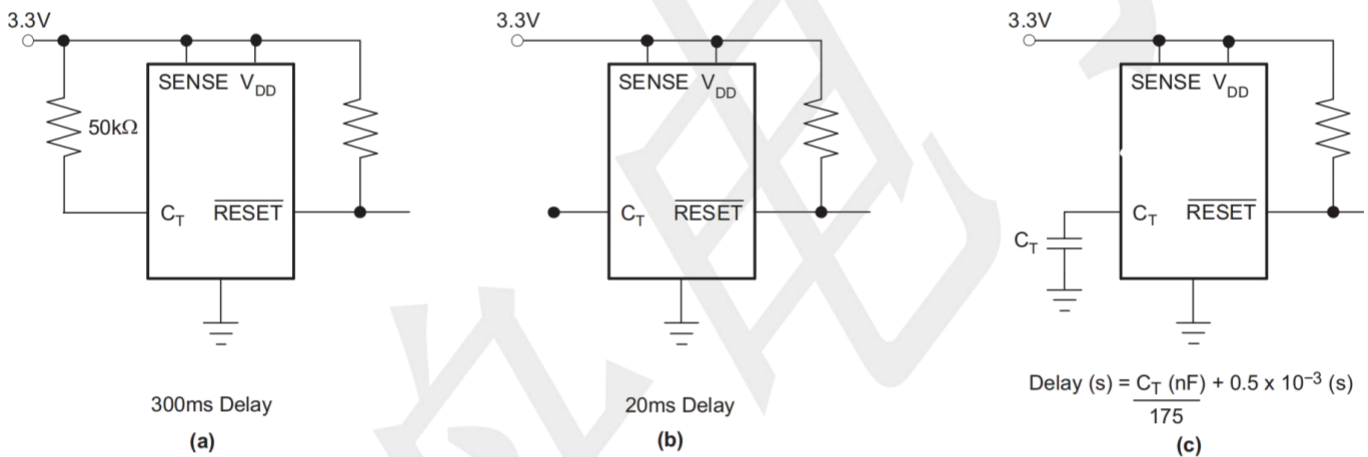
The manual reset ($\overline{\text{MR}}$) input allows a processor or other logic circuits to initiate a reset. A logic low ($0.3V_{DD}$) on $\overline{\text{MR}}$ will cause $\overline{\text{RESET}}$ to assert. After $\overline{\text{MR}}$ returns to a logic high and SENSE is above its reset threshold, $\overline{\text{RESET}}$ is de-asserted after the user defined reset delay expires. Note that $\overline{\text{MR}}$ is internally tied to V_{DD} using a 90k Ω resistor so this pin can be left unconnected if $\overline{\text{MR}}$ will not be used. Do not apply voltage level over V_{DD} .

Selecting the RESET Delay Time

The has three options for setting the $\overline{\text{RESET}}$ delay time.

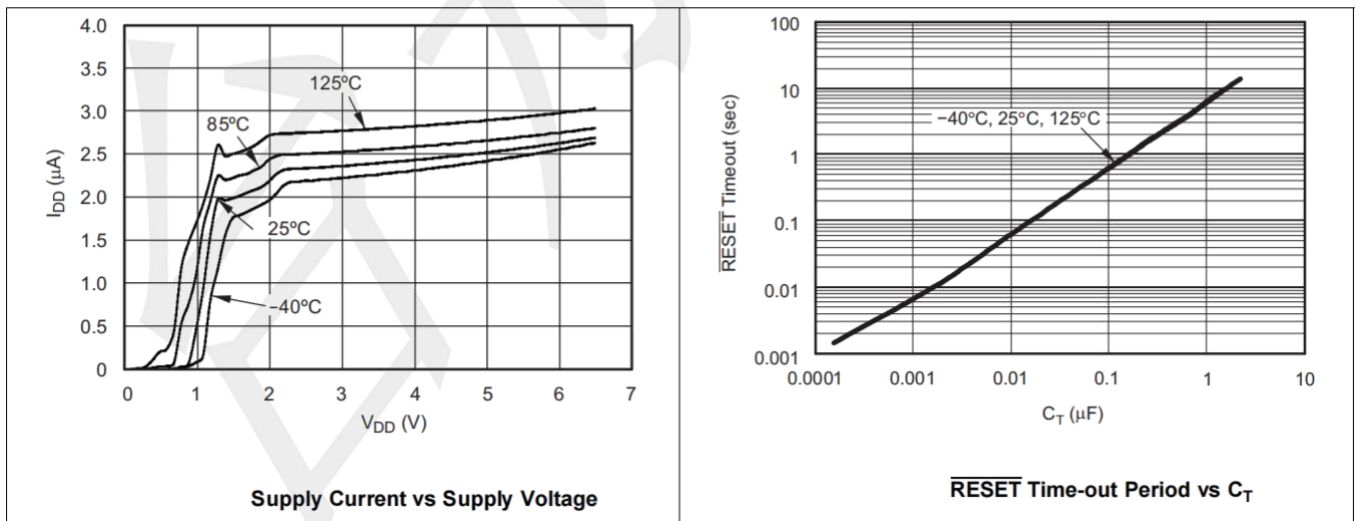
1. A fixed 300ms typical delay time by tying C_T to V_{DD} through a resistor from 40kΩ to 200kΩ. As below Figure (a) shown.
2. A fixed 20ms delay time by leaving the C_T pin open. As below Figure (b) shown.
3. A ground referenced capacitor connected to C_T for a user-defined program time between 1.25ms and 10s. The capacitor C_T should be $\geq 100\text{pF}$ nominal value in order for the to recognize that the capacitor is present. The capacitor value for a given delay time can be calculated using the following equation: $C_T(\text{nF}) = [t_D(\text{s}) - 0.5 \times 10^{-3}(\text{s})] \times 175$. As below Figure (c) shown.

The reset delay time is determined by the time it takes an on-chip precision 220nA current source to charge the external capacitor to 1.23V. When a $\overline{\text{RESET}}$ is asserted the capacitor is discharged. When the $\overline{\text{RESET}}$ conditions are cleared, the internal current source is enabled and begins to charge the external capacitor. When the voltage on this capacitor reaches 1.23V, $\overline{\text{RESET}}$ is de-asserted. Note that a low leakage type capacitor such as a ceramic should be used and the stray capacitance around this pin may cause errors in the reset delay time.



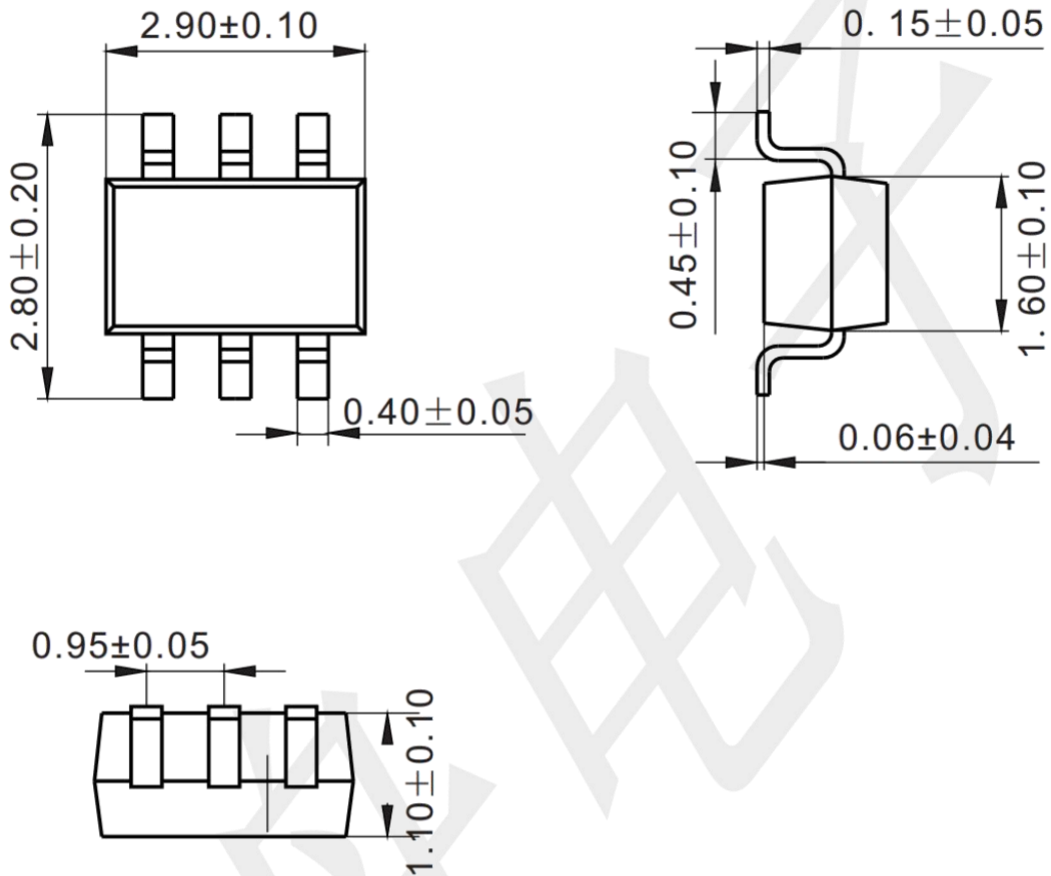
Configuration Used to Set the $\overline{\text{RESET}}$ Delay Time

Application Curves



Package Outline Dimensions (unit: mm)

SOT23-6L



Mounting Pad Layout (unit: mm)

