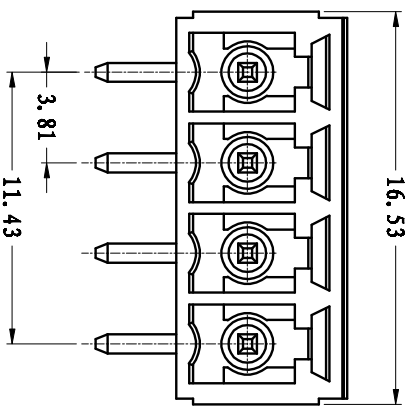
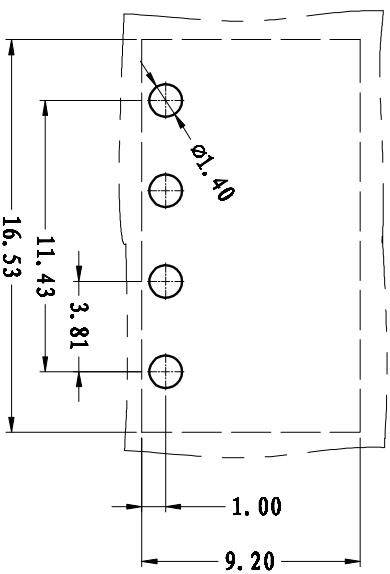
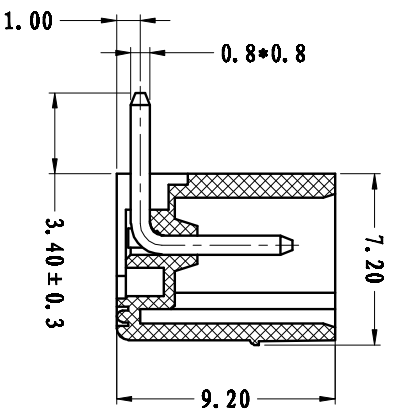
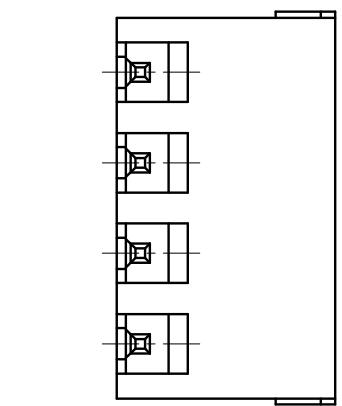


REV.	REVISION	RECORD	MOD.	DATE
①	CONTENT			
	初版发行			



**NOTES:**  
 Pitch : 3.81mm  
 Rated Voltage : 300V  
 Rated Current : 8 A  
 Withstand Voltage : AC2500V for 1 minute  
 Insulation Resistance : 500MΩ / DC500V  
 Using Temperature Range : -40°C ~ +105°C

**技术要求:**  
 间距: 3.81mm  
 额定电压: 300V  
 额定电流: 8A  
 耐压值: AC2500V/min  
 绝缘阻抗: 500MΩ/DC500V  
 使用条件: -40°C~+105°C



Tolerance	pitch dimension		Nominal dimension			
	over	to	over	to	over	to
±0.1	0	6	0	30	60	100
±0.15	6	10	0	30	60	100
±0.25	10	24	0	30	60	100
±0.2	24	30	0	60	100	150
±0.3	30	60	0	60	100	150
±0.5	60	100	0	100	150	150
±0.7	100	150	0	150	150	150
±1.0	150	150	0	150	150	150

2	LZ1-3-81-零件	1003B0002AV	P	黄铜	数量
1	LZ1-3-81-本体	1003A07XAV	1	P166	
NO.	NAME OF PART	NO. OF PART	Q'TY	MATERIAL	NOTES
DES.	DATE	DATE	DATE	DATE	DATE
CHK.	DATE	DATE	DATE	DATE	DATE
APP.	DATE	DATE	DATE	DATE	DATE
SCALE 1:1				DWG NO. SP-2-1003004	REV: Y0
TITILE				LZ1R-3-81-4P-1Y-00A	1 of 1
SHEET				LZ1R-3-81-4P-1Y-00A	REV: Y0
SHEET				LZ1R-3-81-成品	



**上海联捷电气有限公司**  
 Shanghai Blister Electric Co., Ltd