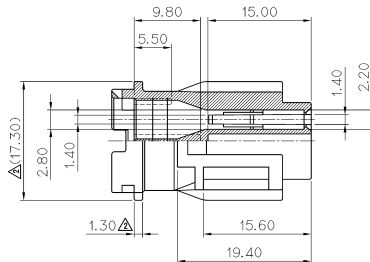
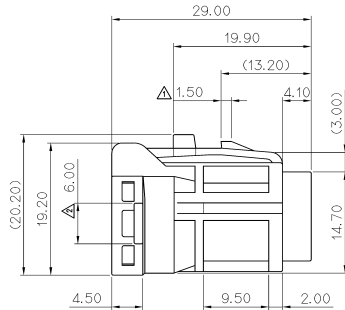
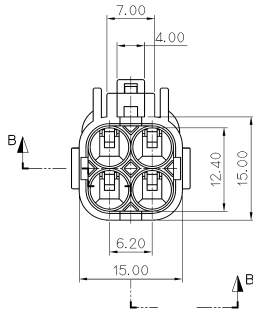
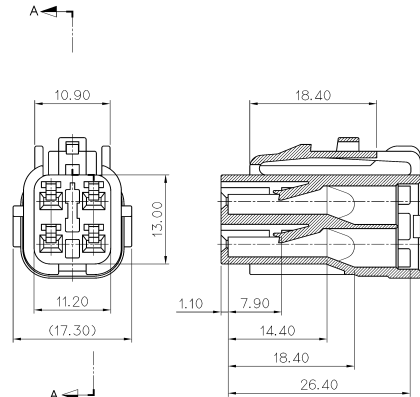


NO.	MATERIAL	COLOR
0	P B T:	NATURAL
1		RED
2		BLUE
3		YELLOW
4		GRAY
5		BLACK
6		W/GREEN
7		BROWN
8		GREEN



SECTION B-B



SECTION A-A

GENERAL TOLERANCE (HOUSING)					USED ON
10MAX	20MAX	45MAX	ANGLE	ECCENT	
±0.2	±0.25	±0.3	±30'	0.1	

주 기

- 제품기능상 유해한 BURR, 변형 및 WELDLINE 등이 없을것.
- 적용 TERMINAL : ST730495, 496
- 적용 HOUSING: MG640333



ISSUE MARK

		MATERIAL		SEE TABLE	KET KOREA ELECTRIC TERMINAL CO., LTD.
		FINISH		SEE TABLE	
REAR COVER LOCK 추가	LOCK* 항상반복	DR	APP	DATE	WIRE RANGE INSULATION TYPE
LTR	REVISION RECORD	CHK	APP	DATE	CLASS SWP TYPE 7123-7444 PART NO. MG610331
DR	KKJ 91.10.07	CHK	CHK	10.08	SCALE 2/1
CHK	S. W. K	APP	APP	10.08	PART NAME
					SWP 4P PLUG HOUSING