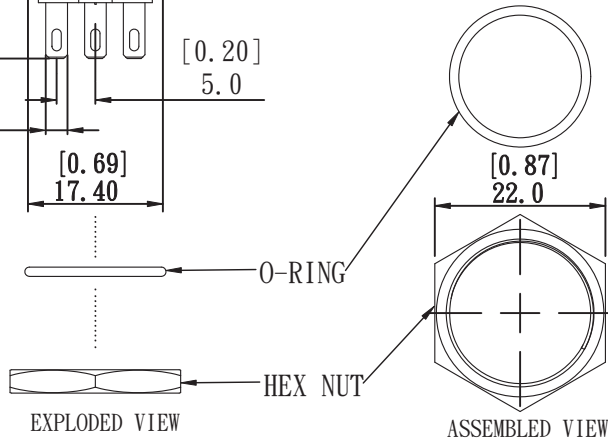
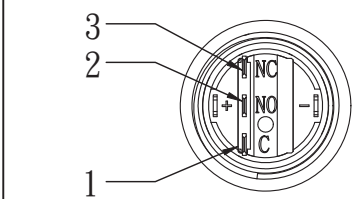
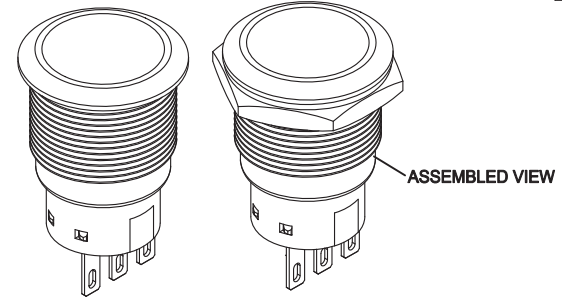
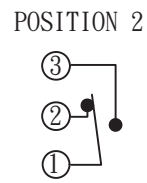
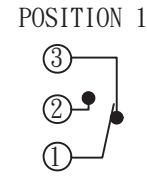
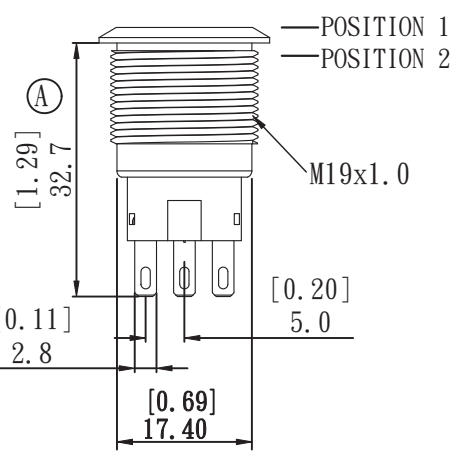
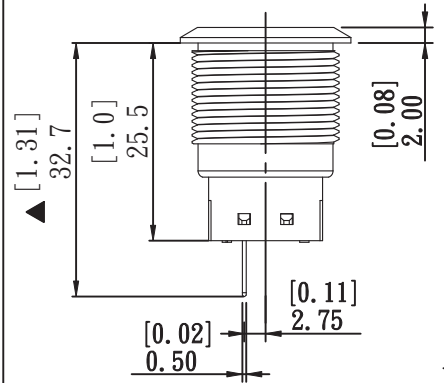
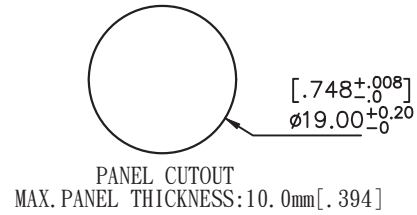
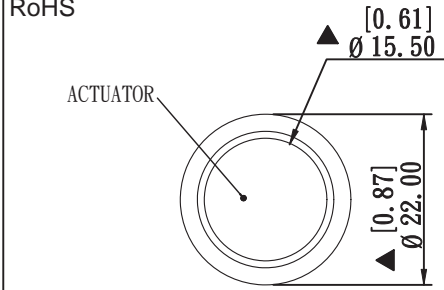
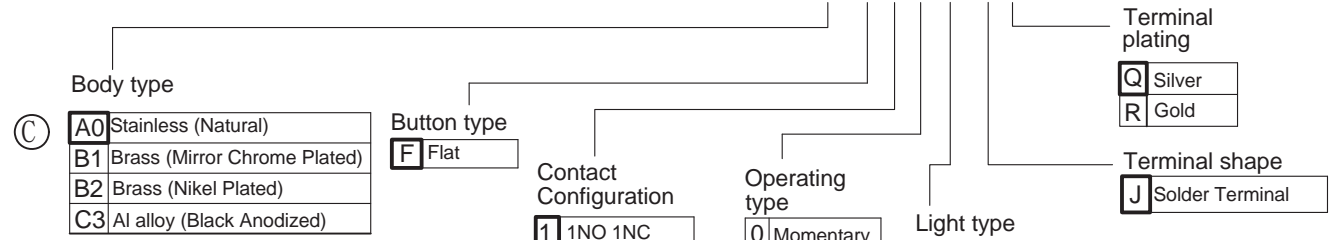


MATERIAL:
 BUSHING: Stainless Steel.
 BASE: PBT(UL 94-V0) , PC(UL 94-V2)
 ACTUATOR: PC ; Stainless Steel. (A)
 INNER ASSEMBLY: POM/PA66.
 SPRING: Spring steel.
 SEALING: Silicone.
 O-Ring: Silicone.
 TERMINAL/CONTACT: Copper , Silver plated.
 HEX NUT: Nickel plated brass.
 RoHS

MPB19-XXXXXR-JQ



ASPECIFICATIONS

- ALL DIMENSIONS IN mm [INCH].
- CONTACT MATERIAL: SILVER.
- RATING: 1th 5A/250VAC. resistive load 3A/250VAC.
- ELECTRICAL LIFE: 50,000 MAKE-AND-BREAK CYCLES AT FULL LOAD.
- MECHANICAL LIFE: SELF-LOCK 500,000A.
- INSULATION RESISTANCE: 1,000MΩ MIN AT 500VDC .
- DELECTRIC STRENGTH: 2,000V RMS@sea level.
- CONTACT RESISTANCE: 50mΩ MAX. @1A 12VDC (initial value).
- OPERATING TEMPERATURE: -20°C to 55°C .
- TRAVEL: ABOUT 3.2mm.
- OPERATION PRESSURE: 1Pole 2.5±1N. / 2Pole 3.5±1N.
- INGRESS PROTECTION: IP67, IK10 (Stainless).
- TORQUE: 5~14Nm.

蘇州寰立電子有限公司
 HUANLI ELECTRONICS CO., LTD.

符號	原尺寸	修改後尺寸	變更日期
1 (A)	MATERINL說明修正, 新增32.7尺寸		NOV-27-2014
2 (B)	OPERATION PRESSURE設變為1Pole 2.5±1N./2Pole 3.5±1N.		MAR-30-2015
3 (C)	更新Body type編碼,取消電源符號選項		MAY-25-2015
4 (D)			
5 (E)			

SCALE (比例): 1:1

TOLERANCE (公差):
 0.00 mm ± 0.25mm
 0.0 mm ± 0.40mm
 ANGULAR: ± 2°
 FILE NAME : MPB19-0009

TITLE 圖名	METAL PUSHBUTTON SWITCH	SIZE 圖紙	A4
DWG NO. 圖號	MPB19-A0F110-JQ	UNIT 單位	inch mm
REV. 版本	D DATE 日期	NOV - 25 - 2014	SHEET 張數
CHECKED BY 審核	RICHARD	DRAWN BY 製圖	IRENE