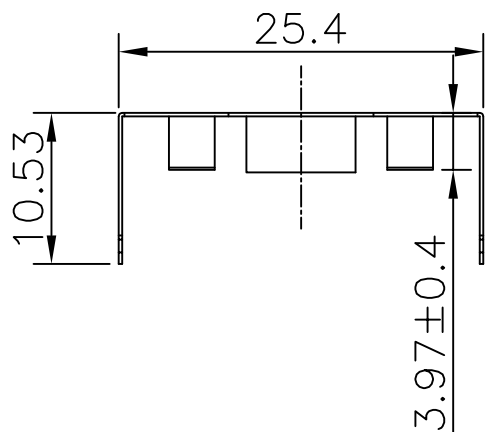
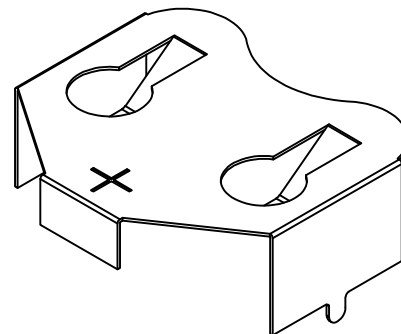
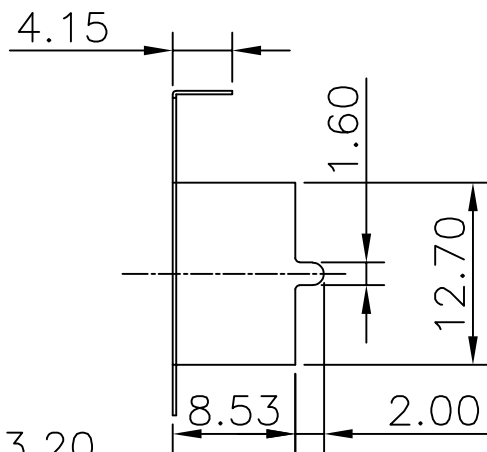
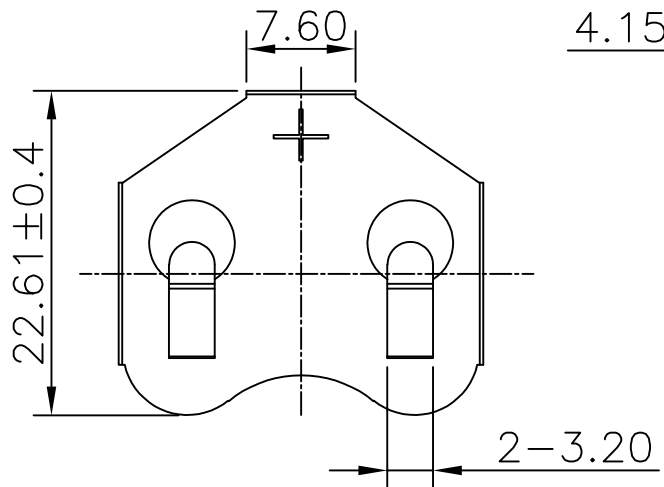
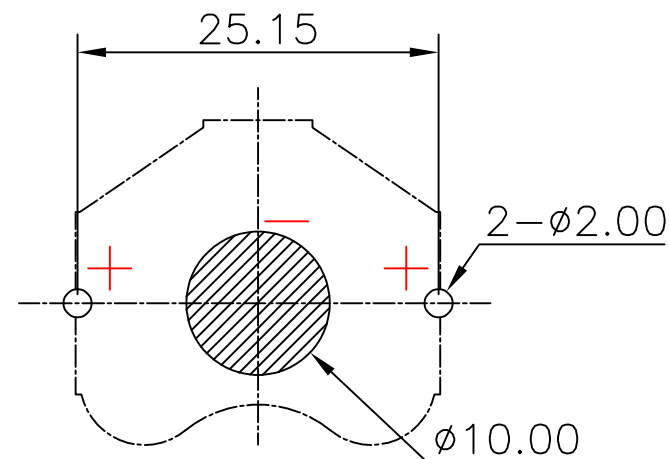




REV.	ECN NO.	REVISED	DATE



工程部
2024-06-05
H. WANG



PCB Layout Diagram
Top View

UNLESS OTHERWISE SPECIFIED TOLERANCES		MYOUNG 美用 www.meiyangdz.com	
DECIMALS: X :±0.30 X.X :±0.25 X.XX :±0.20 X.XXX :±0.10	ANGLES: X :±1° X.X :±0.5°	DSND WangHeng	DATE 2024-06-05
WEIGHT: 1.315g		CHKD ZhouRuicai	DATE 2024-06-05
SHEET 1 OF 1		APVD XueShunyong	DATE 2024-06-05
TITLE:		电池扣CR2477-A Ni DIP直脚2.0	
PART NO.:		MY-2477-05-J	
DRAW NO.:WD-CP-0399		SCALE: 2:1	SIZE: A4
UNIT: mm		VIEW:	REV.: A/0
OBJECT: MY			

1	TERMINAL(+)	1	C5191, T=0.25±0.05mm	Ni-Plating
NO.	PART NAME	Q'TY	MATERIAL	PLATING & COLOR