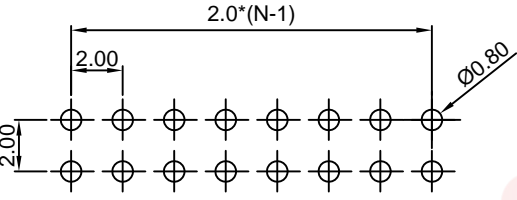
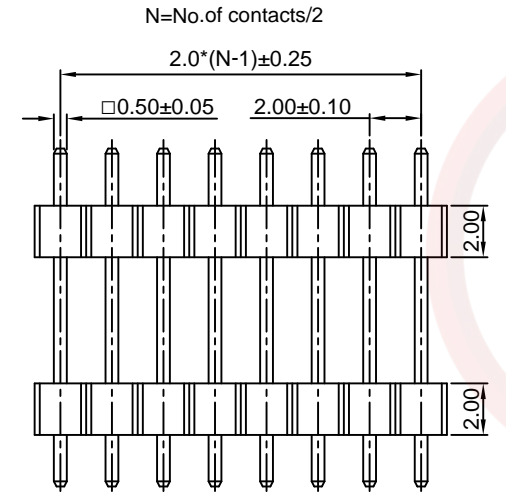
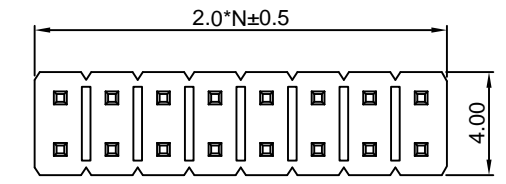


Dept	
Qty	
DC	1
ED	1
IE	1
ISO	1
PD	1
R&D	1
SD	1
QA	1
QC	1
QF	1

The information provided herein is from CONNELY Electronic Co., Ltd. and is confidential. Any disclosure to a party other than the recipient is prohibited. The intellectual properties and its rights contained herein, including but not limited to, trademarks, patents, copyrights, trade secrets, and technical know-how, are owned exclusively by CONNELY or its affiliates. Unauthorized use or reproduction of any part of this document is strictly prohibited. CONNELY may enforce its intellectual property rights at its own discretion, failures or delays to exercise such rights does not constitute a waiver of such rights.

REV.	DESCRIPTION	DRAWN	CHECKED	APPROVED
A	NEW RELEASE	LJH 04/13/06'	~	LJC 04/13/06'
F	DRAWING UPDATE	JLZ 01/22/19'	~	



Recommend PCB layout
(Tolerance:±0.05)



(Series Image-Reference Only)

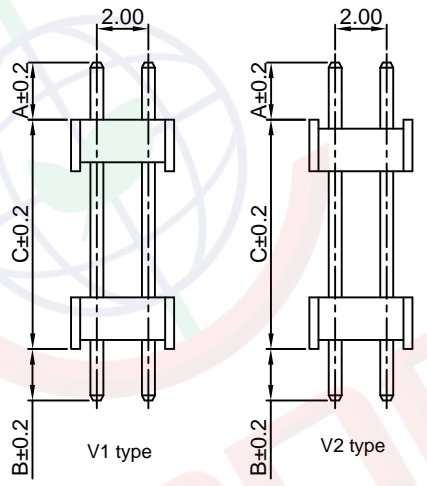


Table A:

Type	Dimension			Type	Dimension		
	A	C	B		A	C	B
1	3.20	9.60	2.20	9	4.60	8.20	3.60
2	4.00	5.70	2.80	10	3.50	13.50	3.00
3	3.00	22.00	3.00	11	3.50	21.40	2.80
4	6.00	10.40	3.00	12	3.70	21.70	3.70
5	3.20	9.60	2.20	13	6.00	12.00	3.00
6	3.20	15.75	2.20	14	3.50	6.00	2.50
7	4.00	9.00	3.00	15	6.50	8.50	3.00
8	3.60	7.50	2.50	16	4.25	19.70	4.30

Notes:

Specifications:

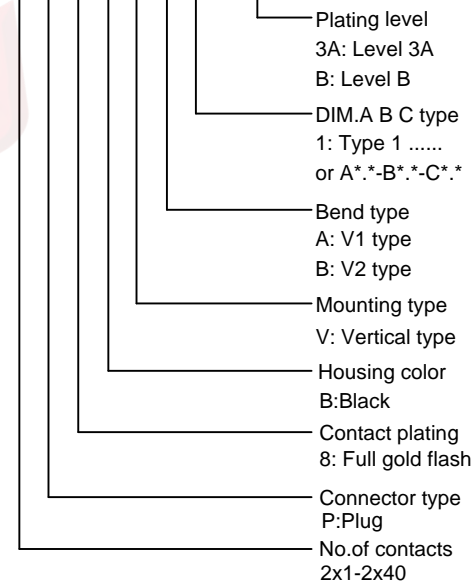
- Contact Resistance: 20mΩ Max.
- Insulation Resistance: 1000MΩ Min.
- Dielectric Withstanding Voltage: 500V AC(rms) For 1 Minute.
- Current Rating:1.5A.
- Voltage Rating:250V AC rms.
- Temperature: -40°C~+105°C.

Materials:

- Contact Material: Copper Alloy.
- Contact Plating: Gold Plating Over Nickel.
- Insulator Materials: PA-9T,Black,UL94-V0.

Product Number Code:

DS1030-02 - X X X X X X X - X



GENERAL TOLERANCE		ANGLE TOLERANCE	
X.	±0.60	X.	±5°
.X	±0.38	.X	±3°
.XX	±0.25	.XX	±2°
DRAWING TYPE		CUSTOMER	
SCALE	1:1	SHEET	1 OF 1
DRAWING NO.	C-DS1030-02-XXXXXX-X-F		

PROJECTION		TITLE	2.00mm Pin Header Double Row Straight Type	
UNITS	mm	SERIES	DS1030-02 SERIES	
SHEET SIZE	A4			

晨翔电子有限公司
CONNELY ELECTRONIC CO. LTD