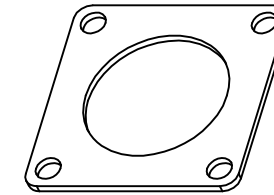
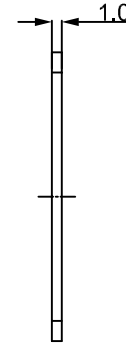
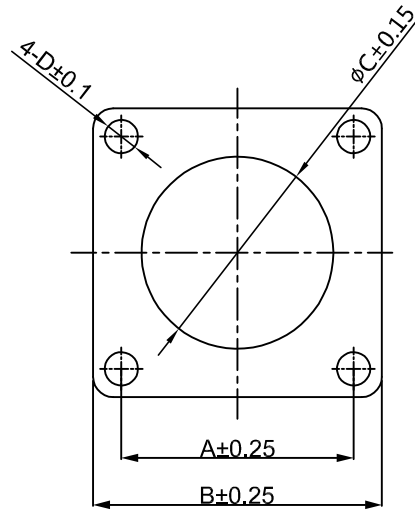


| REVISIONS | | | | | |
|-----------|-----|-------------------------|-------------|-------|-------|
| REV | ECO | DESCRIPTION | DATE | BY | APPR |
| B1 | - | RELEASED DRAWING | JAN-18-2014 | ARROW | TOMMY |
| B2 | - | UPDATE DRAWING | APR-18-2017 | FLAN | TOMMY |
| B3 | - | UPDATE DRAWING | May.19.17 | Regan | Tommy |
| B4 | - | UPDATE TOLERANCE OF "D" | Jul.25.17 | Nick | Tommy |
| B5 | - | ADD PART NO. OF #8 | May-8-2018 | Flan | Tommy |



| PART NO: | SHELL | A | B | C | D |
|----------|-------|------|------|------|-----|
| RTFD08B | 08 | 15.3 | 20.6 | 12.0 | 3.2 |
| RTFD10B | 10 | 18.3 | 23.8 | 15.1 | 3.3 |
| RTFD12B | 12 | 20.6 | 26.8 | 19.1 | 3.3 |
| RTFD14B | 14 | 23.0 | 28.6 | 22.2 | 3.3 |
| RTFD16B | 16 | 24.6 | 31.0 | 25.4 | 3.3 |
| RTFD18B | 18 | 27.0 | 33.3 | 28.6 | 3.3 |
| RTFD20B | 20 | 29.4 | 36.5 | 31.8 | 4.3 |
| RTFD22B | 22 | 31.8 | 39.4 | 35.1 | 3.3 |
| RTFD24B | 24 | 34.9 | 42.5 | 38.1 | 4.3 |

NOTES:

- 1.MATERIAL : EPDM(BLACK). UL94 V-0
- 2.SEALING FOR WALL MOUNTING RECEPTACLES.
- 3.SUITABLE FOR RTG-RT0-RTOW-RTS0.

TITLE: ECO-MATE GASKET, RT 360 SERIES
 DWG NO: RTFDxxB
 REV: B5
 SH: 1
 OF: 1

| QUANTITY | PART NUMBER | DESCRIPTION | ITEM |
|--|-------------|---|--|
| MATERIALS LIST | | | |
| UNLESS OTHERWISE SPECIFIED 1) All dimensions are in metric (mm). 2) Tolerances are as follows: 1 PL DEC ±0.30 2 PL DEC ±0.15 3 PL DEC ±0.08 3) Note reference = | | SIGNATURES DATE DRAWN: Flan May-8-2018 CHECKED: Tod May-8-2018 ENGINEER: APPROVAL: Tommy May-8-2018 | Sine Systems - www.amphenol-sine.com 44724 Morley Drive Clinton Township, MI 48036 |
| MATERIAL SPECIFICATIONS: THIS DRAWING IS SUPPLIED FOR INFORMATION ONLY. DESIGN FEATURES, SPECIFICATIONS AND PERFORMANCE DATA SHOWN HEREON ARE THE PROPERTY OF THE AMPHENOL CORPORATION. NO RIGHTS OF REPRODUCTION ARE IMPLIED. ALL DIMENSIONS ARE SUBJECT TO NORMAL MANUFACTURING VARIATIONS. | | CUSTOMER: ECO-MATE GASKET RT 360 SERIES | |
| PROCESS SPECIFICATIONS: NEXT ASSY: | | SIZE: B TYPE: C- DWG NO: RTFDxxB REVISION: B5 SCALE: NONE SHEET 1 OF 1 | |