

Printed Circuit Board Headers

**Technical Features**

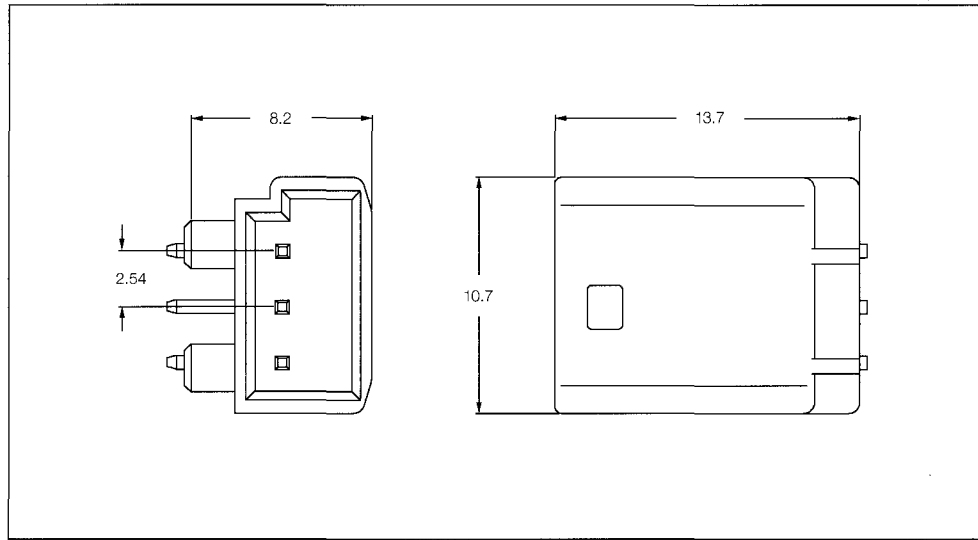
**No. of Positions:**  
3 Positions Assembly

**Housing Material:**  
PBT GF15

**Material and Finish:**  
CuSn, tin plated

**Product Specification:**  
108-61038

**Application Specification:**  
114-18021



**3 Position PCB Header**

No. of Pos.	Keying Options	Housing Color	Part Numbers					
			PCB Header Right-Angle	PCB Header Vertical	Cover	Cover and Lever	Retainer Housing	Mating Receptacle Housing
3	-	Black	368312-1	-	-	-	-	368313-1

**Technical Features**

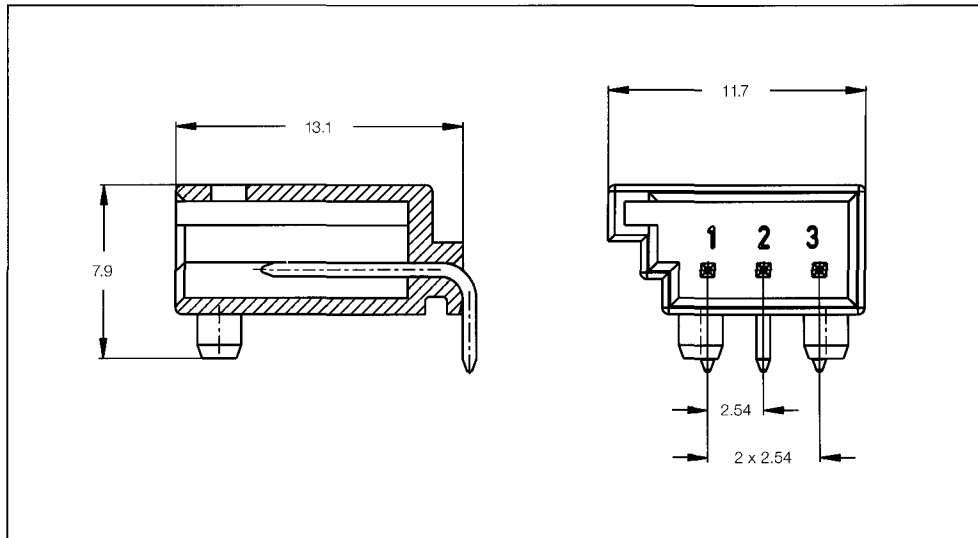
**No. of Positions:**  
3 Positions Assembly

**Housing Material:**  
PBT GF20

**Material and Finish:**  
CuSn, pre-tin plated

**Product Specification:**  
108-18030

**Application Specification:**  
114-18021



**3 Position PCB Header**

No. of Pos.	Keying Options	Housing Color	Part Numbers					
			PCB Header Right-Angle	PCB Header Vertical	Cover	Cover and Lever	Retainer Housing	Mating Receptacle Housing
3	E	Black	5-1355730-1	-	-	-	-	968705