

Full Metal Hoods

D45ZF-RG+D-Sub Solder Cup

TECHNICAL SPECIFICATIONS

D-Sub Hood:

Material: Zinc, Nickel Plated
 Operating Temperature: -45°C to + 105°C
 Cable Entry: Side Entry
 Thumbscrews: UNC 4-40 (Standard)

Cable O.D - Standard:

9-Way: Up to 6,5mm with grommet - 9,5mm without grommet
 15-Way: Up to 6,5mm with grommet - 12,5mm without grommet
 25-Way: Up to 8.0mm with grommet - 12,5mm without grommet
 37-Way: Up to 9.0mm with grommet - 15,0mm without grommet

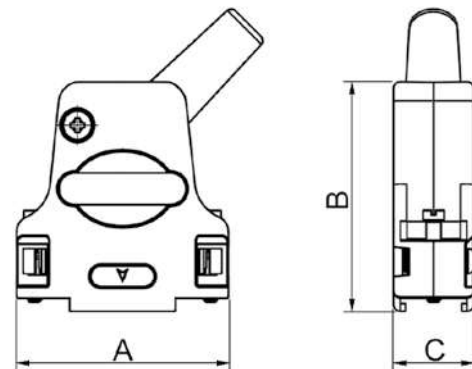


Standard D-Sub Solder Cup:

Insulator: Glass filled TP, UL94 V-0
 Shell: Steel, Tin Plated
 Contact pins: Copper Alloy
 Gold Flash over Ni.
 Stamped & Formed Pins: Class 3, 100 inserts min.
 Contact Plating: Gold flash over Nickel
 Operating Temperature: -55°C to +85°C
 Withstanding voltage: >1000V Rms to 50 Hz for 1 minute
 Current Rating: 5A
 Insulator resistance: >5000MΩ min.

Features:

- Available in sizes 9-15-25-37
- Excellent EMI Shielding
- Re-openable
- Spring-Clip mounted Jackscrews



| Size D45ZF | Dim A | Dim B | Dim C |
|------------|-------|-------|-------|
| 9-way | 31,6 | 39,5 | 15,2 |
| 15-way | 40,0 | 41,0 | 15,2 |
| 25-way | 53,7 | 47,5 | 15,2 |
| 37-way | 70,2 | 48,0 | 15,2 |

Ordering information:

Standard D-Sub Connector Kits

| Size: | P/N - Kitted: | Description: |
|--------|--------------------------|---------------------|
| 9-way | L17D45ZF09-RG+L717SDE09P | Solder Cup, 9-Male |
| 15-way | L17D45ZF15-RG+L717SDA15P | Solder Cup, 15-Male |
| 25-way | L17D45ZF25-RG+L717SDB25P | Solder Cup, 25-Male |
| 37-way | L17D45ZF37-RG+L717SDC37P | Solder Cup, 37-Male |

| Size: | P/N - Kitted: | Description: |
|--------|-------------------------|-----------------------|
| 9-way | L17D45ZF09-RG+L77SDE09S | Solder Cup, 9-Female |
| 15-way | L17D45ZF15-RG+L77SDA15S | Solder Cup, 15-Female |
| 25-way | L17D45ZF25-RG+L77SDB25S | Solder Cup, 25-Female |
| 37-way | L17D45ZF37-RG+L77SDC37S | Solder Cup, 37-Female |