

Connector - SACC-P12MSD-4CT-CM SH PN - 1021830

Please be informed that the data shown in this PDF Document is generated from our Online Catalog. Please find the complete data in the user's documentation. Our General Terms of Use for Downloads are valid (<http://phoenixcontact.com/download>)




Connector, PROFINET CAT5 (100 Mbps), 4-position, shielded, Plug straight M12 Push-Pull, D-coded, Crimp connection, knurl material: PA 6.6, external cable diameter 4.5 mm ... 7.5 mm, without crimp contacts

Why buy this product

- ✓ Plug and Produce: convenient and secure connection, thanks to the manufacturer-independent locking system
- ✓ Extremely compact, thanks to the small wiring space and high contact density
- ✓ Clear feedback: the connector springs back when not snapped into place correctly
- ✓ Safely shielded: reliable shield connection even under extreme mechanical strain
- ✓ Robust connection: suitable for railway applications with high shock and vibration loads
- ✓ Automated processing possible



Key Commercial Data

| | |
|--------------------------------------|---|
| Packing unit | 1 STK |
| GTIN |  4 055626 514697 |
| GTIN | 4055626514697 |
| Weight per Piece (excluding packing) | 29.500 g |
| Custom tariff number | 85366990 |
| Country of origin | Germany |

Technical data

Dimensions

| | |
|---|-------------------|
| Wrench size, union nut | 15 mm |
| Diameter housing | 22 mm |
| Length | 44 mm |
| External cable diameter | 4.5 mm ... 7.5 mm |
| Stripping length of the sheath | 18 mm |
| Stripping length of the individual wire | 4 mm +0,5 mm |

Ambient conditions

Connector - SACC-P12MSD-4CT-CM SH PN - 1021830

Technical data

Ambient conditions

| | |
|---------------------------------|----------------------------------|
| Ambient temperature (operation) | -40 °C ... 85 °C (Plug / socket) |
| Degree of protection | IP65 |
| | IP67 |
| | IP68 |
| | IP69K |

General

| | |
|--------------------------------|--|
| Note | This product corresponds to the PROFINET Cabling and Interconnection Technology Guideline for PROFINET regulations, version 2.00, order no: 2.252, Chapter 8.2 Connectors for Outside Environment (Balanced cabling) |
| Rated current at 40°C | 4 A |
| Rated voltage | 48 V AC 60 V DC |
| Number of positions | 4 |
| Insulation resistance | ≥ 100 Ω |
| Coding | D - data |
| Standards/regulations | M12 connector IEC 61076-2-101 In line with Shock, vibration EN 50155:2001 |
| Signal type/category | PROFINET CAT5 (IEC 11801), 100 Mbps |
| Status display | No |
| Overvoltage category | II |
| Degree of pollution | 3 |
| Connection method | Crimp connection |
| Conductor cross section | 0.34 mm ² ... 1 mm ² (flexible) |
| Conductor cross section AWG | 22 ... 18 (flexible) |
| Wire diameter incl. insulation | ≤ 2.55 mm |
| Insertion/withdrawal cycles | ≥ 100 |
| Torque | 4 Nm (Pressure nut with coupling sleeve) |

Material

| | |
|--|--|
| Flammability rating according to UL 94 | V0 |
| Contact carrier material | PA 6.6 |
| Material of grip body | Zinc die-cast, nickel-plated |
| Material, knurls | PA 6.6 |
| Sealing material | NBR |
| Standards/regulations | PA 6.6: Fire protection in rail vehicles - requirement sets R22, R23, R24, and R26 acc. to DIN EN 45545-2 (Risk level HL1 - HL3) |

Standards and Regulations

| | |
|-----------------------|------------------|
| Standard designation | M12 connector |
| Standards/regulations | IEC 61076-2-101 |
| Standard designation | Shock, vibration |
| Standards/regulations | EN 50155:2001 |

Connector - SACC-P12MSD-4CT-CM SH PN - 1021830

Technical data

Standards and Regulations

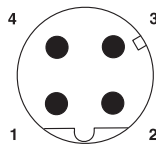
| | |
|--|----|
| Flammability rating according to UL 94 | V0 |
|--|----|

Environmental Product Compliance

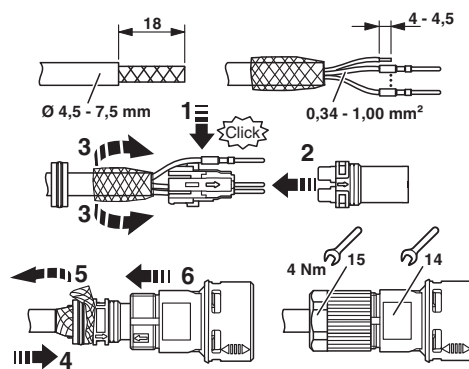
| | |
|------------|---|
| China RoHS | Environmentally Friendly Use Period = 50 |
| | For details about hazardous substances go to tab "Downloads", Category "Manufacturer's declaration" |

Drawings

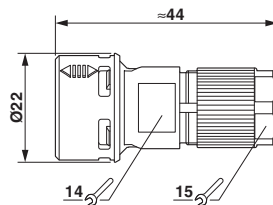
Schematic diagram



Functional drawing



Dimensional drawing



Classifications

eCl@ss

| | |
|------------|----------|
| eCl@ss 9.0 | 27440102 |
|------------|----------|

ETIM

| | |
|----------|----------|
| ETIM 5.0 | EC002062 |
| ETIM 6.0 | EC002062 |

Approvals

Approvals

Connector - SACC-P12MSD-4CT-CM SH PN - 1021830

Approvals

Approvals

EAC

Ex Approvals

Approval details

| | | |
|-----|--|--------------------------|
| EAC | | RU C- DE.AI30.B.01102 |
|-----|--|--------------------------|

Accessories

Accessories

Crimp contact

Crimp contact - CC1,0-TS-1,00M AU - 1423645



Crimp contact, contact diameter: 1 mm, turned, Pin, contact material: CuZn, contact surface: Ni/Au, connection cross section: 0.34 mm² ... 1 mm² AWG 22 ... 18

Crimping tool

Crimping pliers - CRIMPFOX-TC MP - 1212510



Crimping pliers, for turned contacts, universal cross section setting, up to a maximum of 2.5 mm², digital display with 0.01 mm increments, pressure lock can be unlocked, including positioning tool

Data cable by the meter

Network cable - VS-OE-OE-93R/... - 1417388



Network cable, PROFINET CAT5 (100 Mbps), 4-position, PUR halogen-free, green RAL 6018, shielded, free cable end, on free cable end, cable length: Free input (0.5 ... 100 m), For robots

Connector - SACC-P12MSD-4CT-CM SH PN - 1021830

Accessories

Network cable - VS-OE-OE-936/... - 1417375



Network cable, PROFINET CAT5 (100 Mbps), 4-position, PE-X halogen-free, black RAL 9005, shielded, free cable end, on free cable end, cable length: Free input (0.5 ... 100 m), For railway applications

Network cable - VS-OE-OE-937/... - 1402687



Network cable, PROFINET CAT5 (100 Mbps), 4-position, PE-X halogen-free, black RAL 9005, shielded, free cable end, on free cable end, cable length: Free entry (0.5 ... 400 m), For railway applications

Electronics pliers

Diagonal cutter - MICROFOX-SB - 1212489



Electronic diagonal cutter, round head, without chamfer, with opening spring, mirror-polished and oiled, 2-component grip, cutting capacity: soft 0.2 - 2.0 mm; medium hard 1.2 mm; hard 0.5 mm diameter

Stripping tool

Stripping tool - WIREFOX-D 13 - 1212162



Stripping tool, for stripping installation lines of \varnothing 8 - 13 mm , e.g. NYM 3 x 1.5 mm² to 5 x 2.5 mm², single line stripping 0.2 mm² - 4 mm² , with longitudinal cut blade and sliding knife

Stripping tool - WIREFOX SAC - 1212623



Stripping pliers, for halogen-free sensor/actuator cables (SAC cables), with PUR and PVC insulation, from \varnothing of 4.4 to 7 mm, any stripping length

Necessary add-on products

Connector - SACC-P12MSD-4CT-CM SH PN - 1021830

Accessories

Crimp contact - CC1,0-TS-1,00M AU - 1423645



Crimp contact, contact diameter: 1 mm, turned, Pin, contact material: CuZn, contact surface: Ni/Au, connection cross section: 0.34 mm² ... 1 mm² AWG 22 ... 18

Phoenix Contact 2018 © - all rights reserved
<http://www.phoenixcontact.com>