

Full Metal Hoods

MHDM+D-Sub Solder Cup

TECHNICAL SPECIFICATIONS

D-Sub Hood:

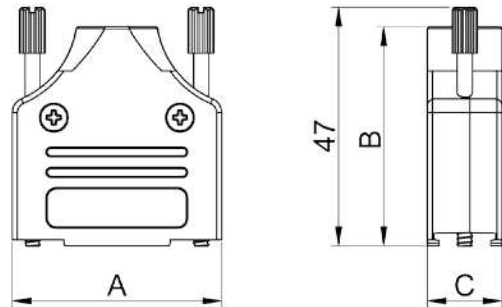
Material: Zinc, Nickel Plated
 Operating Temperature: -40°C to +120°C
 Cable Entry: Top Entry
 Thumbscrews: UNC 4-40 (Standard)
 Cable O.D: Up to 13mm

Standard D-Sub Solder Cup:

Insulator: Glass filled TP, UL94 V-0
 Shell: Steel, Tin Plated
 Contact pins: Copper Alloy
 Gold Flash over Ni.
 Stamped & Formed Pins: Class 3, 100 inserts min.
 Contact Plating: Gold flash over Nickel
 Operating Temperature: -55°C to +85°C
 Withstanding voltage: >1000V Rms to 50 Hz
 for 1 minute
 Current Rating: 5A
 Insulator resistance: >5000MΩ min.

Features:

- Available in sizes 9-15-25-37
- 360° EMI Shielding
- Re-openable



Size MHDM	Dim A	Dim B	Dim C
9-way	32,2	41,3	15,4
15-way	40,6	43,3	15,4
25-way	54,5	49,5	15,4
37-way	70,7	54,3	15,4

Ordering information:

Standard D-Sub Connector Kits

Size:	P/N - Kitted:	Description:
9-way	L17MHDM09+L717SDE09P	Solder Cup, 9-Male
15-way	L17MHDM15+L717SDA15P	Solder Cup, 15-Male
25-way	L17MHDM25+L717SDB25P	Solder Cup, 25-Male
37-way	L17MHDM37+L717SDC37P	Solder Cup, 37-Male

Size:	P/N - Kitted:	Description:
9-way	L17MHDM09+L77SDE09S	Solder Cup, 9-Female
15-way	L17MHDM15+L77SDA15S	Solder Cup, 15-Female
25-way	L17MHDM25+L77SDB25S	Solder Cup, 25-Female
37-way	L17MHDM37+L77SDC37S	Solder Cup, 37-Female