

Plastic Hoods

DTPK-P+High Density D-sub Solder Cup

TECHNICAL SPECIFICATIONS

D-Sub Hood:

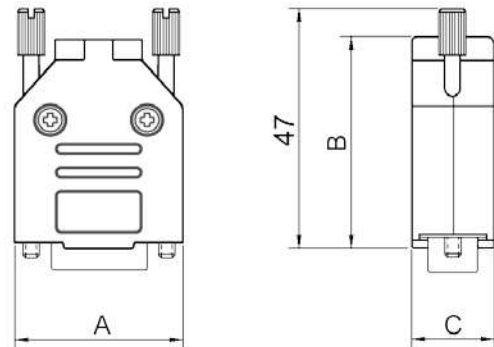
| | |
|------------------------|----------------------------|
| Material: | UL 94 V-0 Plastic Material |
| Operating Temperature: | -55°C to +110°C |
| Cable Entry: | Top |
| Thumbscrews: | UNC 4-40 (Standard) |
| Cable O.D.: | Up to 11,5mm |
| Colour: | Black |

High Density D-Sub Solder Cup:

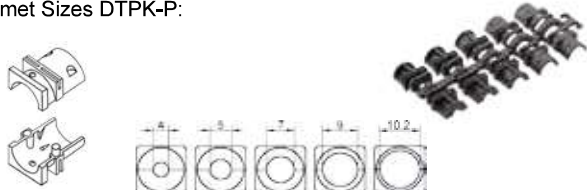
| | |
|------------------------|-------------------------------------|
| Insulator: | Glass filled TP, UL94 V-0 |
| Shell: | Steel, Tin Plated |
| Contact pins: | Copper Alloy Gold Flash over Ni. |
| Stamped & Formed Pins | Class 3, 100 inserts min. |
| Contact Plating: | Gold flash over Nickel |
| Operating Temperature: | -55°C to +85°C |
| Withstanding voltage: | >1000V Rms to 50 Hz for 1 minute |
| Current Rating: | 3A |
| Insulator resistance: | >5000MΩ min. |

Features:

- Available in sizes HD 15-26-44-62
- Strain relief inserts ensure a secure termination
- Re-openable



Grommet Sizes DTPK-P:



| Size DTPK-P | Dim A | Dim B | Dim C |
|-------------|-------|-------|-------|
| 9-way | 31,2 | 39,9 | 15,0 |
| 15-way | 39,5 | 41,5 | 15,0 |
| 25-way | 53,4 | 48,6 | 15,0 |
| 37-way | 69,7 | 53,6 | 15,0 |

Ordering information:

High Density D-Sub Connector Kits

| Size: | P/N - Kitted: | Description: |
|-------|-------------------------|---------------------|
| HD 15 | L17DTPK-P-09+L717HDE15P | Solder Cup, 15-Male |
| HD 26 | L17DTPK-P-15+L717HDA26P | Solder Cup, 26-Male |
| HD 44 | L17DTPK-P-25+L717HDB44P | Solder Cup, 44-Male |
| HD 62 | L17DTPK-P-37+L717HDC62P | Solder Cup, 62-Male |

| Size: | P/N - Kitted: | Description: |
|-------|------------------------|-----------------------|
| HD 15 | L17DTPK-P-09+L77HDE15S | Solder Cup, 15-Female |
| HD 26 | L17DTPK-P-15+L77HDA26S | Solder Cup, 26-Female |
| HD 44 | L17DTPK-P-25+L77HDB44S | Solder Cup, 44-Female |
| HD 62 | L17DTPK-P-37+L77HDC62S | Solder Cup, 62-Female |