

**NEW**

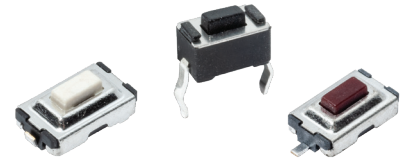
# PTS636 Series 6,0 x 3,5 Top Actuated

## Features/Benefits

- 6,0 x 3,5 mm footprint
- Multiple heights
- THT or SMT type

## Typical Applications

- IoT devices
- Home automation
- Remote controls



## Specification

FUNCTION: Momentary action  
CONTACT ARRANGEMENT: 1 make contact = SPST, N.O.  
TERMINALS: THT, J, G and F type for SMT

## Electrical

MAXIMUM VOLTAGE: 12 VDC  
MAXIMUM CURRENT DC: 50 mA  
DIELECTRIC STRENGTH: 250 VA C (1mn)  
CONTACT RESISTANCE: ≤ 100 m Ω  
INSULATION RESISTANCE: ≥ 100 M Ω  
BOUNCE TIME: ≤ 10 ms

## Environmental

OPERATING TEMPERATURE: -20°C to 70°C

## Process

SOLDERING: This component is suited to the following methods:  
– Infrared Reflow Soldering in accordance with IEC61760-1

## Packaging

In bags of 1,000 pcs for THT  
In reels of 3,000 pieces for 2.5 mm height  
In reels of 1.500 pieces for 4.3 and 5.0 mm height  
Dimensions of reels according to EIA 481B  
External diameter 330 mm

**NOTE:** Specifications listed above are for switches with standard options.

For information on specific and custom switches, consult Customer Service Center.

## Available part numbers and characteristics

Description	Height (mm)	Lead Shape	Ground Pin	Force	Travel (mm)	Operating Life	Actuator Color
PTS636 SL43 LFS	4.3	THT	No	130gf ± 50gf	0.25 ± 0.1	50,000	Black
PTS636 SM43 LFS	4.3	THT	No	180gf ± 50gf	0.30 ± 0.1	50,000	Black
PTS636 SK43 LFS	4.3	THT	No	250gf ± 50gf	0.30 ± 0.1	30,000	Black
PTS636 SP43 LFS	4.3	THT	No	320gf ± 50gf	0.30 ± 0.1	20,000	Black
PTS636 SL50 LFS	5.0	THT	No	130gf ± 50gf	0.25 ± 0.1	50,000	Black
PTS636 SM50 LFS	5.0	THT	No	180gf ± 50gf	0.30 ± 0.1	50,000	Black
PTS636 SK50 LFS	5.0	THT	No	250gf ± 50gf	0.30 ± 0.1	30,000	Black
PTS636 SP50 LFS	5.0	THT	No	320gf ± 50gf	0.30 ± 0.1	20,000	Black
PTS636 SL43 SMTR LFS	4.3	G	No	130gf ± 50gf	0.25 ± 0.1	50,000	Black
PTS636 SM43 SMTR LFS	4.3	G	No	180gf ± 50gf	0.30 ± 0.1	50,000	Black
PTS636 SK43 SMTR LFS	4.3	G	No	250gf ± 50gf	0.30 ± 0.1	30,000	Black
PTS636 SP43 SMTR LFS	4.3	G	No	320gf ± 50gf	0.30 ± 0.1	20,000	Black
PTS636 SL50 SMTR LFS	5.0	G	No	130gf ± 50gf	0.25 ± 0.1	50,000	Black
PTS636 SM50 SMTR LFS	5.0	G	No	180gf ± 50gf	0.30 ± 0.1	50,000	Black
PTS636 SK50 SMTR LFS	5.0	G	No	250gf ± 50gf	0.30 ± 0.1	30,000	Black
PTS636 SP50 SMTR LFS	5.0	G	No	320gf ± 50gf	0.30 ± 0.1	20,000	Black
PTS636 SM43J SMTR LFS	4.3	J	No	180gf ± 50gf	0.25 ± 0.1	50,000	Black
PTS636 SK43J SMTR LFS	4.3	J	No	250gf ± 50gf	0.25 ± 0.1	30,000	Red
PTS636 SM50J SMTR LFS	5.0	J	No	180gf ± 50gf	0.25 ± 0.1	50,000	Black
PTS636 SK50J SMTR LFS	5.0	J	No	250gf ± 50gf	0.25 ± 0.1	30,000	Red
PTS636 SM25 SMTR LFS	2.5	G	No	180gf ± 30gf	0.25 ± 0.1	70,000	White
PTS636 SK25 SMTR LFS	2.5	G	No	250gf ± 50gf	0.25 ± 0.1	100,000	Red
PTS636 SMG25 SMTR LFS	2.5	G	Yes	180gf ± 30gf	0.25 ± 0.1	70,000	White
PTS636 SKG25 SMTR LFS	2.5	G	Yes	250gf ± 50gf	0.25 ± 0.1	100,000	Red
PTS636 SM25J SMTR LFS	2.5	J	No	180gf ± 30gf	0.25 ± 0.1	70,000	White
PTS636 SK25J SMTR LFS	2.5	J	No	250gf ± 50gf	0.25 ± 0.1	100,000	Red
PTS636 SMG25J SMTR LFS	2.5	J	Yes	180gf ± 30gf	0.25 ± 0.1	70,000	White
PTS636 SKG25J SMTR LFS	2.5	J	Yes	250gf ± 50gf	0.25 ± 0.1	100,000	Red
PTS636 SM25F SMTR LFS	2.5	Flat	No	180gf ± 30gf	0.25 ± 0.1	70,000	White
PTS636 SK25F SMTR LFS	2.5	Flat	No	250gf ± 50gf	0.25 ± 0.1	100,000	Red

Dimensions are shown: mm

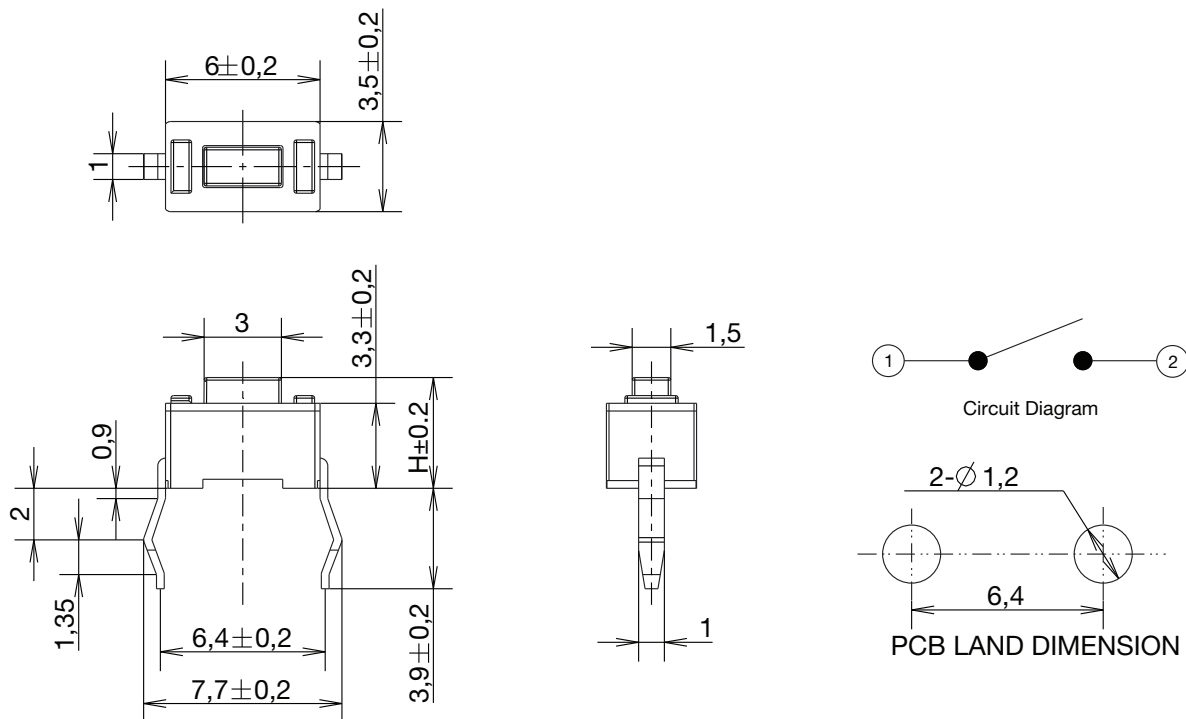
Specifications and dimensions subject to change

# PTS636 Series 6,0 x 3,5 Top Actuated

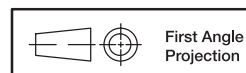
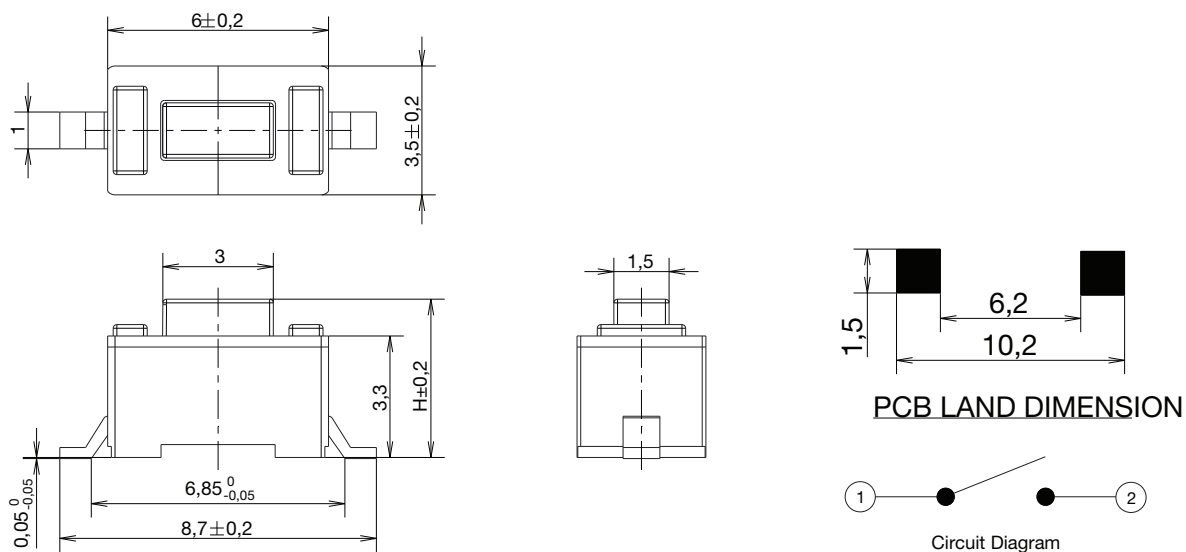
**NEW**

## THT versions (4,3 & 5,0 mm height)

Tactile Switches



## SMT G leads (4,3 & 5,0 mm height)

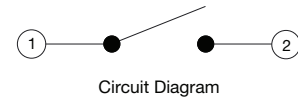
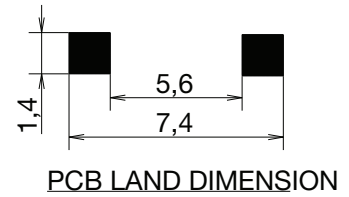
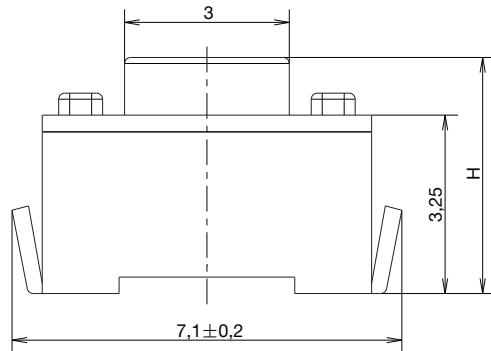
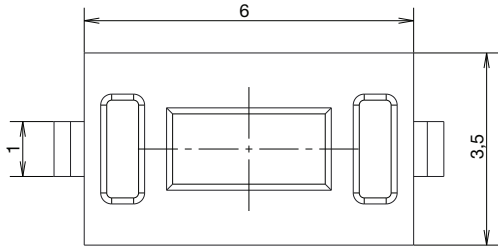


Dimensions are shown: mm  
Specifications and dimensions subject to change

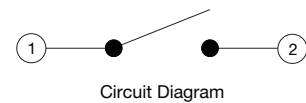
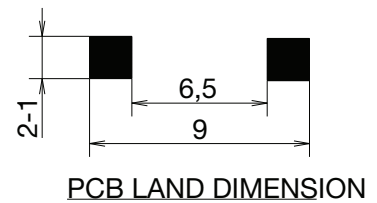
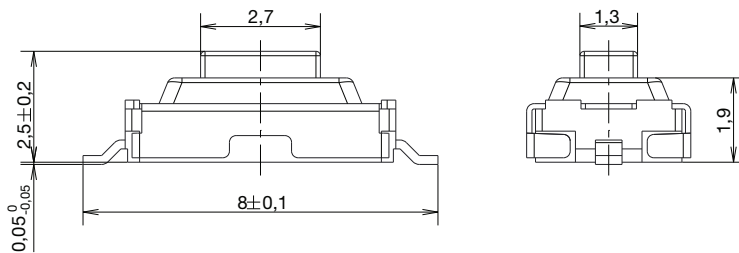
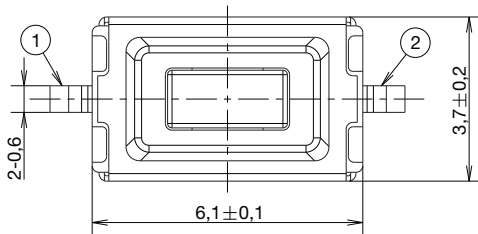
**NEW**

# PTS636 Series 6,0 x 3,5 Top Actuated

## SMT J leads (4,3 & 5,0 mm height)



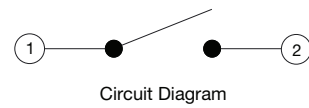
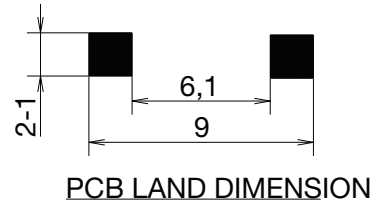
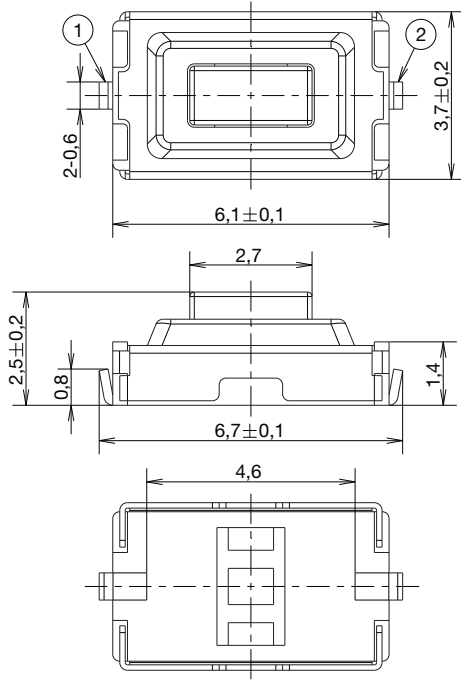
## SMT G leads (2,5 mm height)



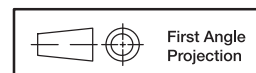
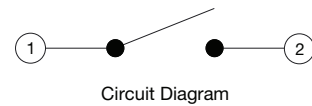
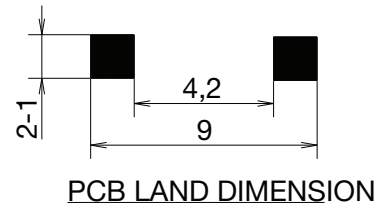
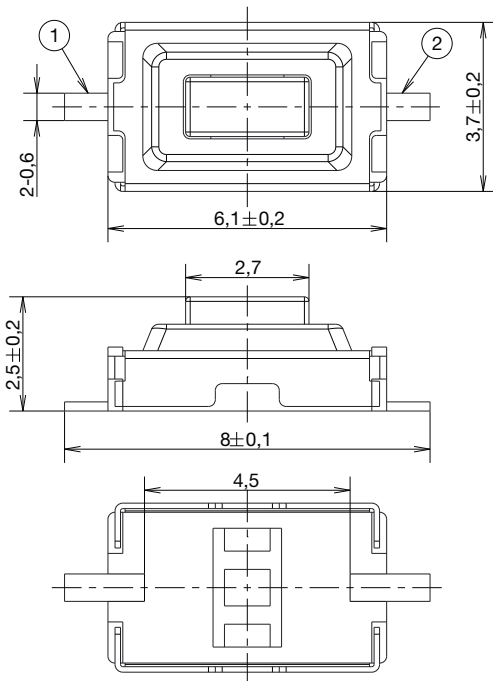
# PTS636 Series 6,0 x 3,5 Top Actuated

**NEW**

## SMT J leads (2,5 mm height)



## SMT F leads (2,5 mm height)

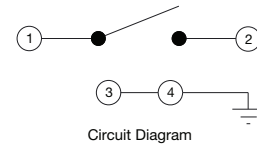
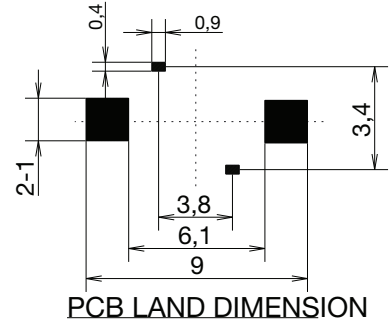
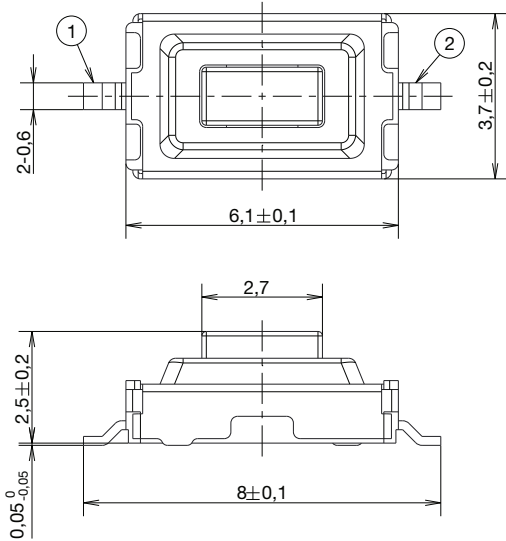


Dimensions are shown: mm  
Specifications and dimensions subject to change

**NEW**

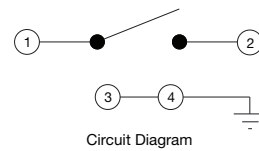
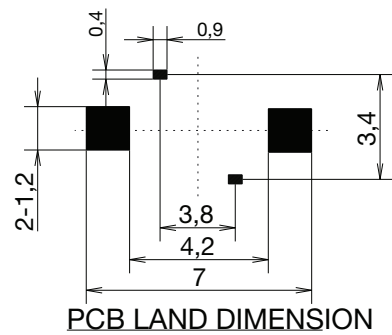
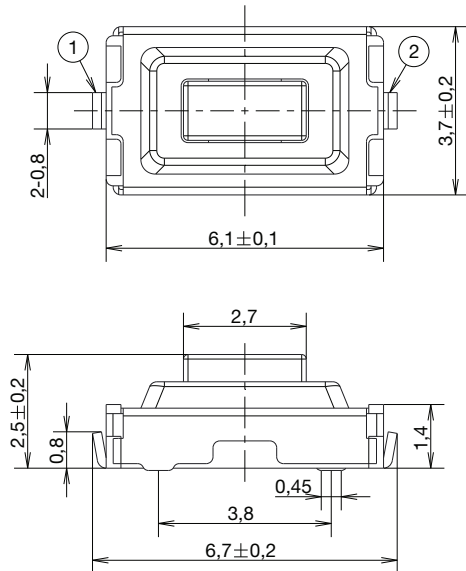
# PTS636 Series 6,0 x 3,5 Top Actuated

## SMT G leads, with ground pin (2,5 mm height)



**B**  
Tactile Switches

## SMT J leads, with ground pin (2,5 mm height)



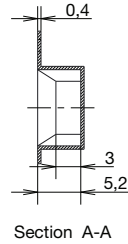
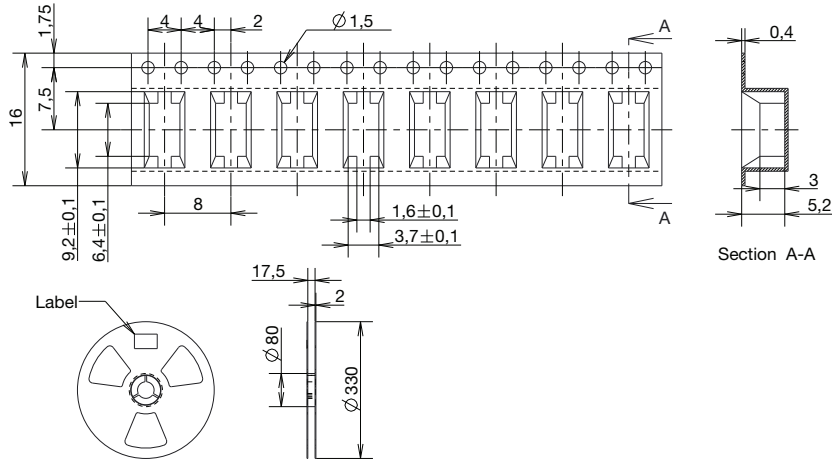
# PTS636 Series 6,0 x 3,5 Top Actuated

**NEW**

## PACKAGING

### 4,3 and 5,0 mm height - G leads

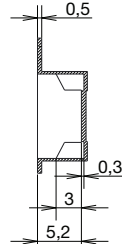
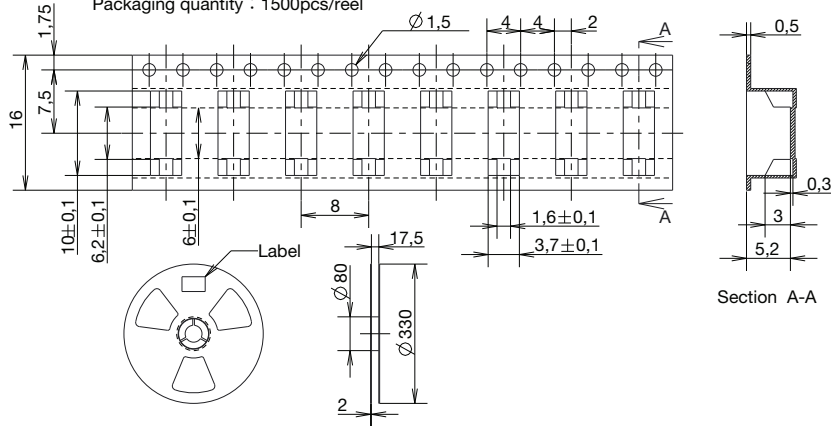
THE DIMENSION OF CARRIER TAPE AND REEL  
Packaging quantity : 1500pcs/reel



Section A-A

### 4,3 and 5,0 mm height - J leads

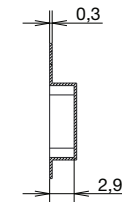
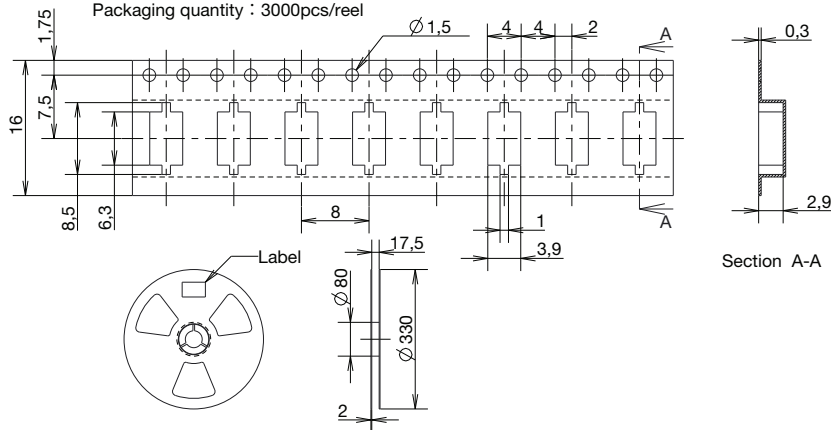
THE DIMENSION OF CARRIER TAPE AND REEL  
Packaging quantity : 1500pcs/reel



Section A-A

### 2,5 mm height

THE DIMENSION OF CARRIER TAPE AND REEL  
Packaging quantity : 3000pcs/reel



Section A-A



First Angle  
Projection

Dimensions are shown: mm  
Specifications and dimensions subject to change