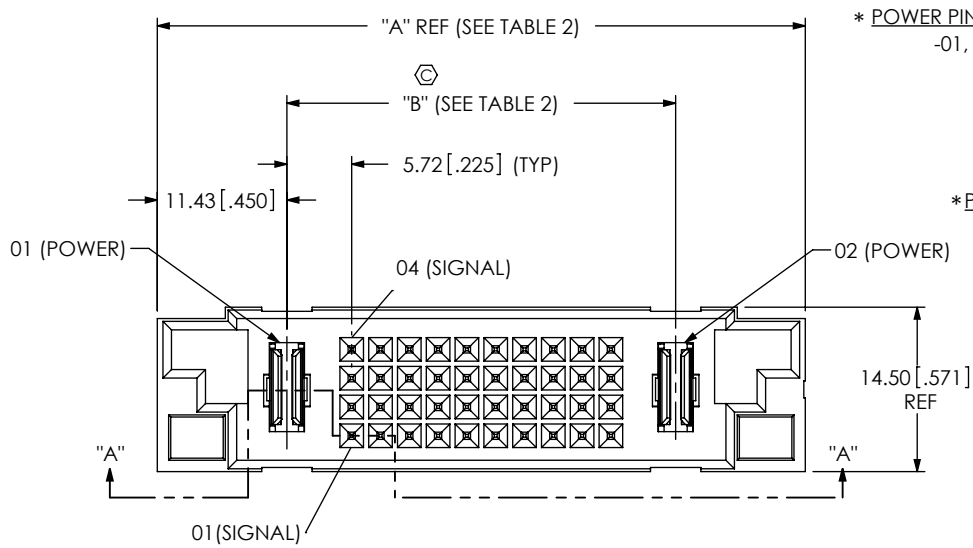


DESIGNED & DIMENSIONED
IN MILLIMETERS [INCHES]

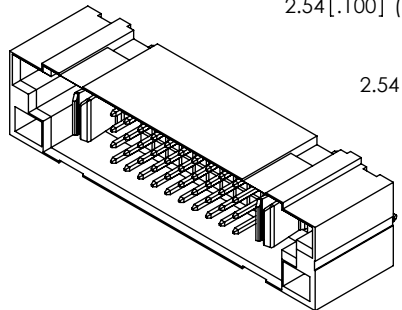
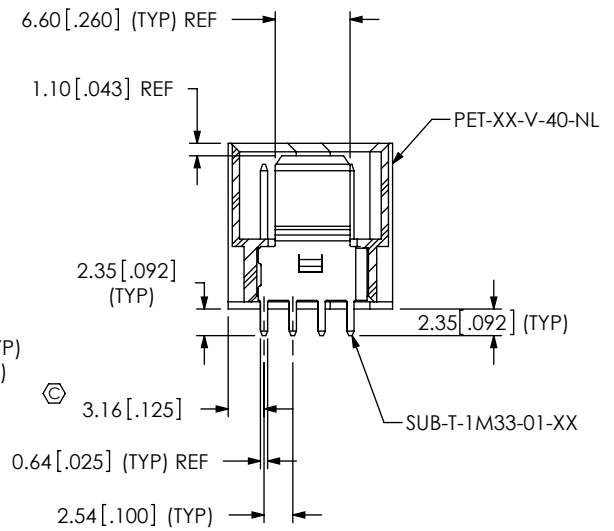
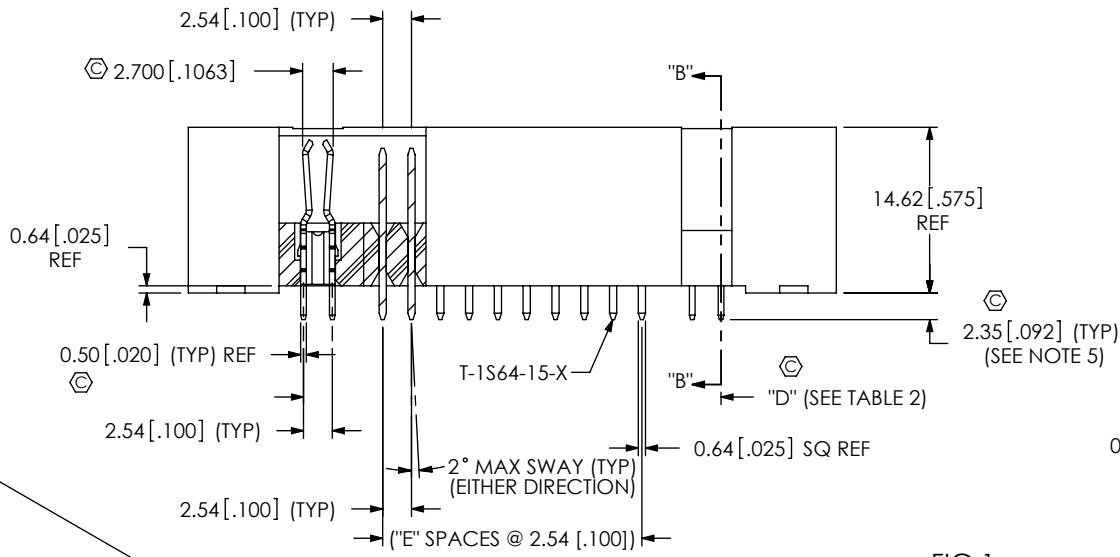
DO NOT
SCALE FROM
THIS PRINT



PETC-XX-XX-XX-01-X-VT-XX-X

- * POWER PINS (PER END 1)
-01, -02, -04
- * SIGNAL PINS
-12, -40
- * POWER PINS (PER END 2)
-01, -02, -04
- LEAD STYLE
-01
- PLATING SPECIFICATION
-S: 30μ" SELECTIVE GOLD IN CONTACT AREA, MATTE TIN ON TAIL
-T: MATTE TIN CONTACT AND TAIL
-L: 10μ" SELECTIVE GOLD IN CONTACT AREA, MATTE TIN ON TAIL
- OPTION
-L: LATCH EARS (SEE FIG 5, SHT 3)
- OPTION
-LC: LOCKING CLIP (USE LC-11-TM) (SEE FIG 2, SHT 2)
- VERTICAL

* - SEE TABLE 1 FOR AVAILABLE COMBINATIONS



SECTION "A"-"A"

SECTION "B"-"B"

FIG 1
PETC-01-40-01-01-X-VT SHOWN

TABLE 1		
PART NUMBER	MAX	"E"
PETC-01-12-01-01-X-VT-XX	0.15 [.006]	2
PETC-02-12-02-01-X-VT-XX	0.20 [.008]	2
PETC-04-12-04-01-X-VT-XX	0.20 [.008]	2
PETC-01-40-01-01-X-VT-XX	0.15 [.006]	9
PETC-02-40-02-01-X-VT-XX	0.20 [.008]	9
PETC-04-40-04-01-X-VT-XX	0.20 [.008]	9

- NOTES:
- ⊙ REPRESENTS A CRITICAL DIMENSION.
 - BURR ALLOWANCE: 0.13 [.005] MAX.
 - MINIMUM PUSHOUT FORCE: 2.22N [.5 LB].
 - PARTS TO BE PACKAGED IN TRAYS.
 - DIMENSION INCLUDES BOTH POWER AND SIGNAL PINS.

UNLESS OTHERWISE SPECIFIED,
DIMENSIONS ARE IN MILLIMETERS.
TOLERANCES ARE:
DECIMALS ANGLES
.X: ±0.3 [.01] 2°
.XX: ±0.13 [.005]
.XXX: ±0.051 [.0020]

PROPRIETARY NOTE
THIS DOCUMENT CONTAINS INFORMATION
CONFIDENTIAL AND PROPRIETARY TO
SAMTEC, INC. AND SHALL NOT BE REPRODUCED
OR TRANSFERRED TO OTHER DOCUMENTS OR
DISCLOSED TO OTHERS OR USED FOR ANY
PURPOSE OTHER THAN THAT WHICH IT WAS
OBTAINED WITHOUT THE EXPRESSED WRITTEN
CONSENT OF SAMTEC, INC.

520 PARK EAST BLVD, NEW ALBANY, IN 47150
PHONE: 812-944-6733 FAX: 812-948-5047
e-Mail info@SAMTEC.com code 55322

MATERIAL: DO NOT SCALE DRAWING SHEET SCALE: 1:0.666667
INSULATOR: LCP, COLOR: BLACK
TERMINAL: COPPER ALLOY

DESCRIPTION:
VERTICAL POWER TERMINAL

DWG. NO.
PETC-XX-XX-XX-01-X-VT-XX-X

BY: CLAY W 1/11/2006 SHEET 1 OF 3

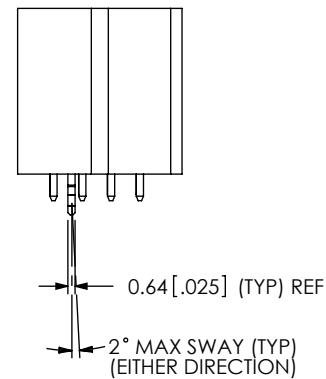
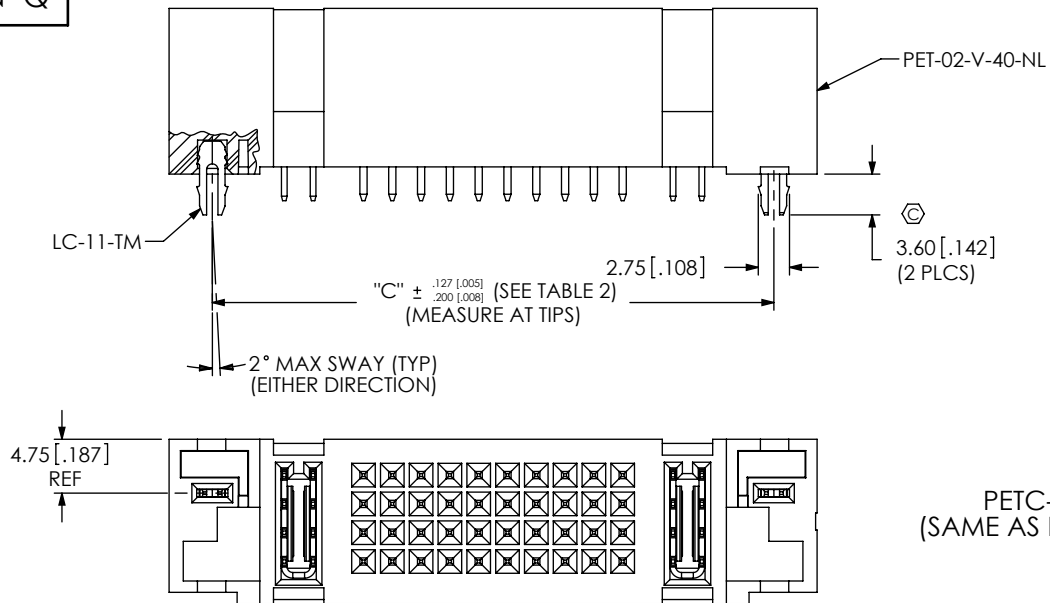


FIG 2
 PETC-01-40-01-01-X-VT-LC SHOWN
 (SAME AS FIG 1, UNLESS OTHERWISE STATED)

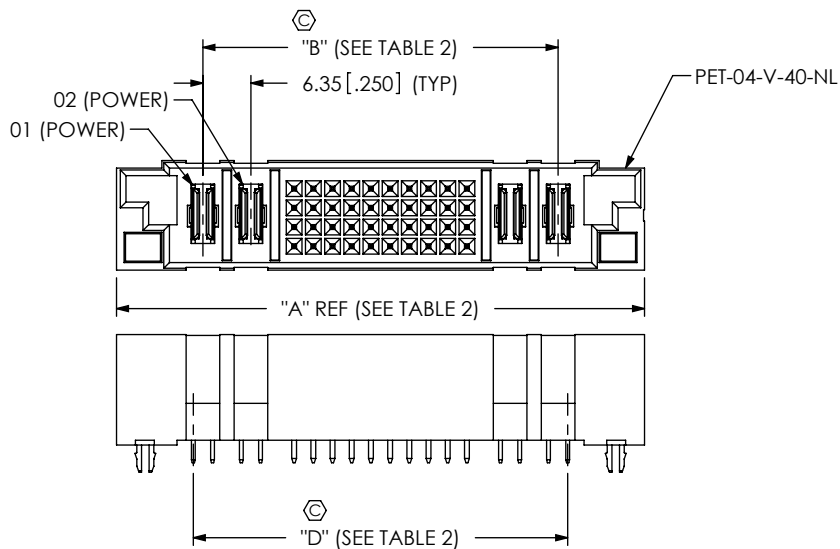


FIG 3
 PETC-02-40-02-01-X-VT-LC SHOWN
 (SAME AS FIG 1, UNLESS OTHERWISE STATED)

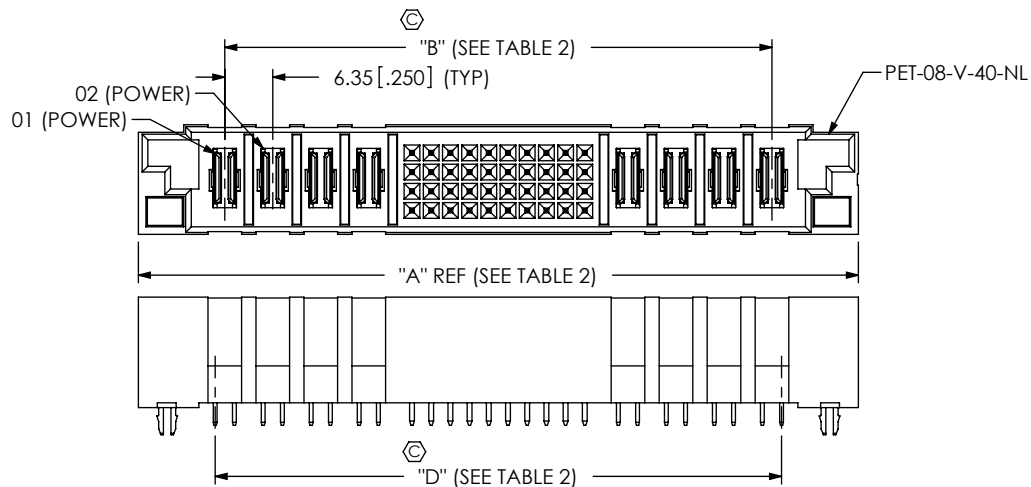


FIG 4
 PETC-04-40-04-01-X-VT-LC SHOWN
 (SAME AS FIG 1, UNLESS OTHERWISE STATED)

TABLE 2				
PART NUMBER	"A"	"B"	"C"	"D"
PETC-01-12-01-01-X-VT-XX	39.37 [1.550]	16.51 [.650]	31.75 [1.250]	19.05 [.750]
PETC-02-12-02-01-X-VT-XX	52.07 [2.050]	29.21 [1.150]	44.45 [1.750]	31.75 [1.250]
PETC-04-12-04-01-X-VT-XX	77.47 [3.050]	54.61 [2.150]	69.85 [2.750]	57.15 [2.250]
PETC-01-40-01-01-X-VT-XX	57.15 [2.250]	34.29 [1.350]	49.53 [1.950]	36.83 [1.450]
PETC-02-40-02-01-X-VT-XX	69.85 [2.750]	46.99 [1.850]	62.23 [2.450]	49.53 [1.950]
PETC-04-40-04-01-X-VT-XX	95.25 [3.750]	72.39 [2.850]	87.63 [3.450]	74.93 [2.950]

F:\DWG\MISC\MKTG\PETC-XX-XX-XX-01-X-VT-XX-X-MKT.SLDDRW

PROPRIETARY NOTE
 THIS DOCUMENT CONTAINS INFORMATION CONFIDENTIAL AND PROPRIETARY TO SAMTEC, INC. AND SHALL NOT BE REPRODUCED OR TRANSFERRED TO OTHER DOCUMENTS OR DISCLOSED TO OTHERS OR USED FOR ANY PURPOSE OTHER THAN THAT WHICH IT WAS OBTAINED WITHOUT THE EXPRESSED WRITTEN CONSENT OF SAMTEC, INC.

DO NOT SCALE DRAWING

SHEET SCALE: 1.5:1

samtec

520 PARK EAST BLVD, NEW ALBANY, IN 47150
 PHONE: 812-944-6733 FAX: 812-948-5047
 e-Mail info@SAMTEC.com code 55322

DESCRIPTION: VERTICAL POWER TERMINAL

DWG. NO. PETC-XX-XX-XX-01-X-VT-XX-X

BY: CLAY W 1/11/2006 SHEET 2 OF 3

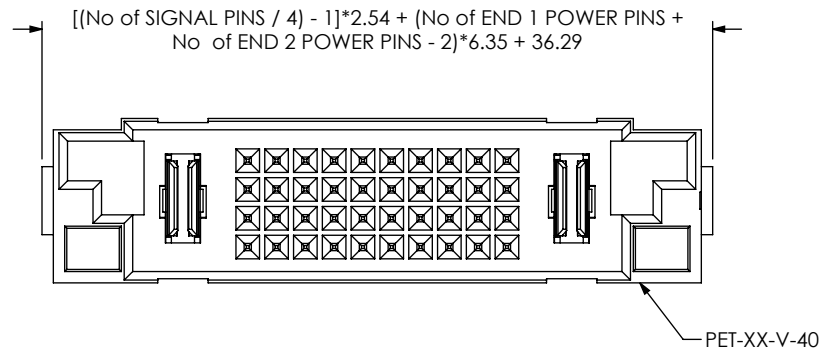



FIG 5
 PETC-01-40-01-01-X-VT-XX-L SHOWN
 (SAME AS FIG 1, UNLESS OTHERWISE STATED)

<p>PROPRIETARY NOTE THIS DOCUMENT CONTAINS INFORMATION CONFIDENTIAL AND PROPRIETARY TO SAMTEC, INC. AND SHALL NOT BE REPRODUCED OR TRANSFERRED TO OTHER DOCUMENTS OR DISCLOSED TO OTHERS OR USED FOR ANY PURPOSE OTHER THAN THAT WHICH IT WAS OBTAINED WITHOUT THE EXPRESSED WRITTEN CONSENT OF SAMTEC, INC.</p> <p>DO NOT SCALE DRAWING</p> <p>SHEET SCALE: 1.5:1</p>	 520 PARK EAST BLVD, NEW ALBANY, IN 47150 PHONE: 812-944-6733 FAX: 812-948-5047 e-Mail info@SAMTEC.com code 55322	
	DESCRIPTION: VERTICAL POWER TERMINAL	
	DWG. NO. PETC-XX-XX-XX-01-X-VT-XX-X	
	BY: CLAY W	1/11/2006