

ACCESSORIES

SF RELAYS

Slim type

(Sockets and DIN rail terminal sockets)

TYPES

1. Sockets

Type	No. of poles	Part No.
PC board sockets	4 poles	SFS4-PS
	6 poles	SFS6-PS

Standard packing: Carton: 10 pcs.; Case: 100 pcs.

2. DIN rail terminal socket

Type	No. of poles	Part No.
New Terminal sockets for spade and ring tongue terminals	4 poles	SFS4-SFD-R
	6 poles	SFS6-SFD-R

Standard packing: Carton: 10 pcs.; Case: 100 pcs.

Note: For previous products (spade tongue terminal dedicated terminal sockets), please order SFS4-SFD for 4 poles and SFS6-SFD for 6 poles.

RATING

Specifications

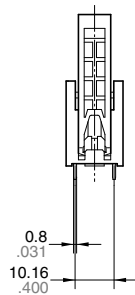
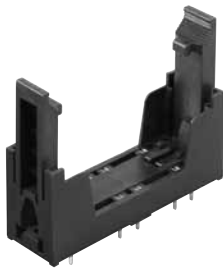
Item	Specifications
Breakdown voltage (Initial)	Between each terminal: 2,500 Vrms for 1 min. (Detection current: 10mA)
Insulation resistance (Initial)	Min. 1,000MΩ (at 500V DC) Measurement at same location as "Breakdown voltage" section.
Max. carrying current	6 A (Reduce by 0.1 A/°C for temperatures 70 to 85°C 158 to 185°F)

DIMENSIONS (mm inch)

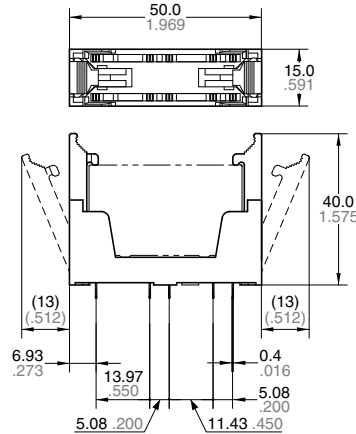
The CAD data of the products with a **CAD Data** mark can be downloaded from: <http://industrial.panasonic.com/ac/e/>

1. PC board sockets (4 poles) (SFS4-PS)

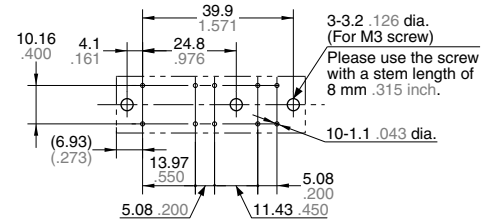
CAD Data



External dimensions



PC board pattern (Bottom view)

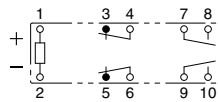


Tolerance: $\pm 0.1 \pm 0.004$

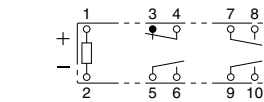
General tolerance: $\pm 0.3 \pm 0.012$

Schematic (Bottom view)

Standard

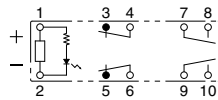


(When 2 Form A 2 Form B mounted)

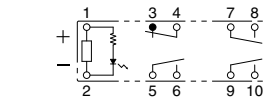


(When 3 Form A 1 Form B mounted)

With LED indication

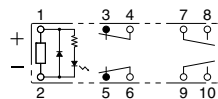


(When 2 Form A 2 Form B mounted)

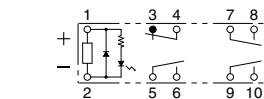


(When 3 Form A 1 Form B mounted)

With diode and LED indication type



(When 2 Form A 2 Form B mounted)



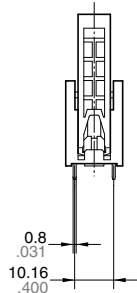
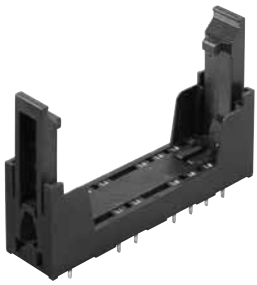
(When 3 Form A 1 Form B mounted)

SFS ACCESSORIES

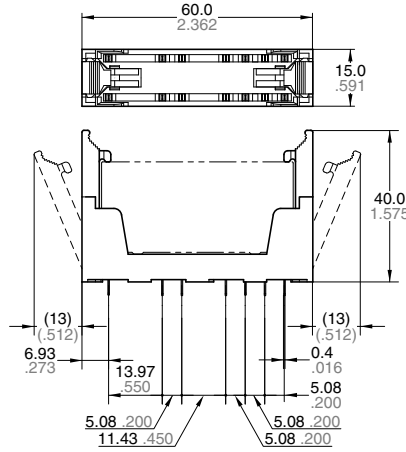
2. PC board sockets (6 poles)

(SFS6-PS)

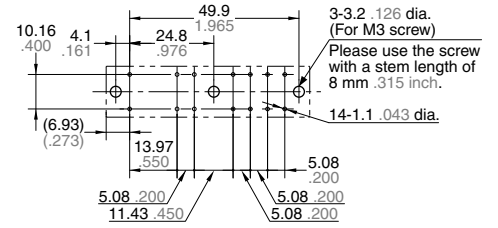
CAD Data



External dimensions



PC board pattern (Bottom view)

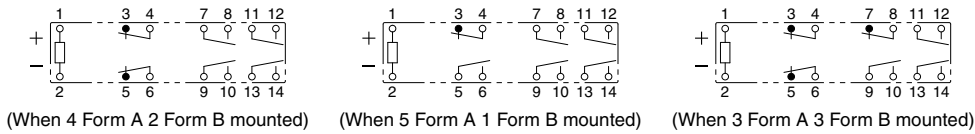


Tolerance: $\pm 0.1 \pm 0.004$

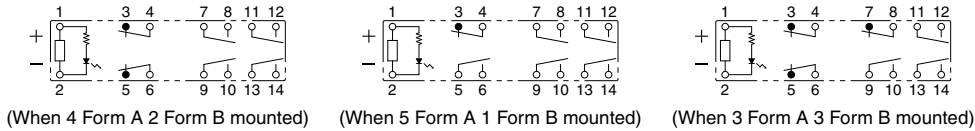
General tolerance: $\pm 0.3 \pm 0.012$

Schematic (Bottom view)

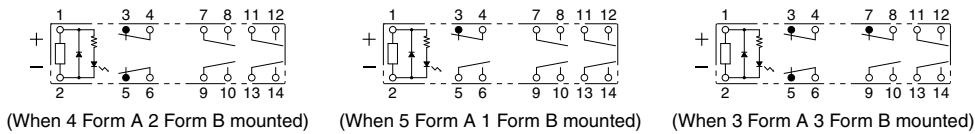
Standard



With LED indication

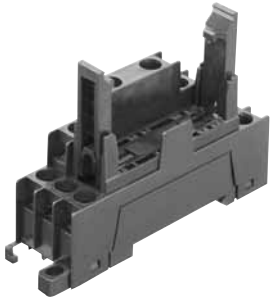


With diode and LED indication type

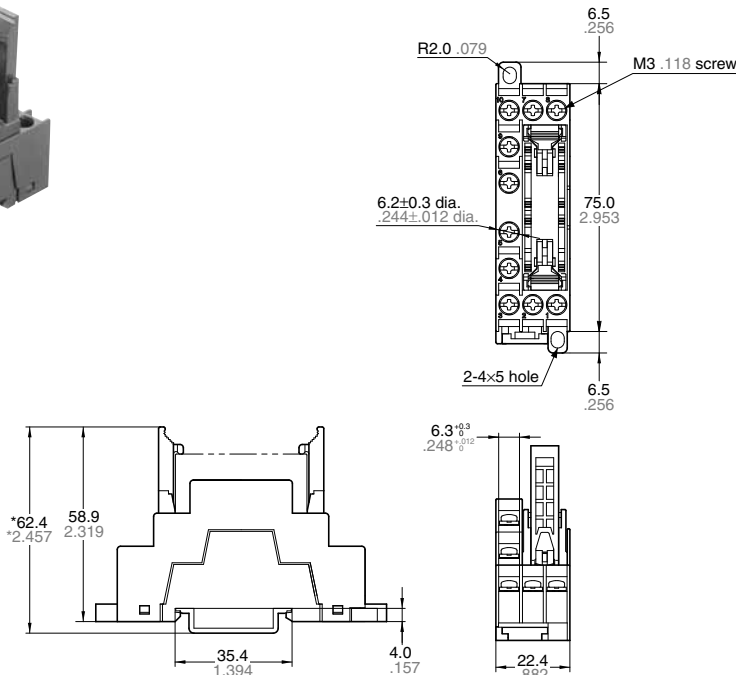


3. Terminal socket for spade and ring tongue terminals (For 4 poles finger protect type)

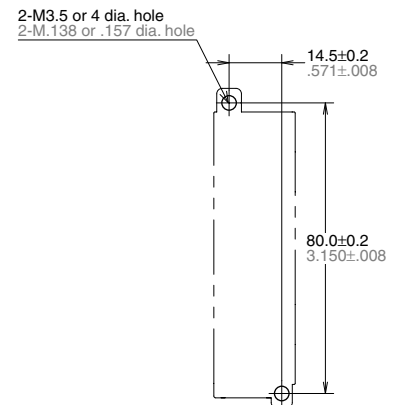
CAD Data



External dimensions



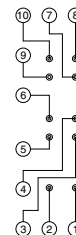
Mounting hole dimensions



Tolerance: $\pm 0.1 \pm 0.004$

General tolerance: $\pm 0.5 \pm 0.020$

Schematic (Top view)



* Reference value (when using DIN rail ATA48011)

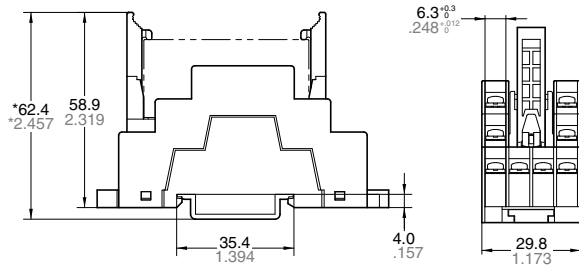
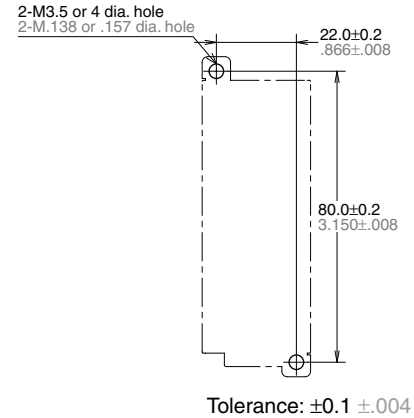
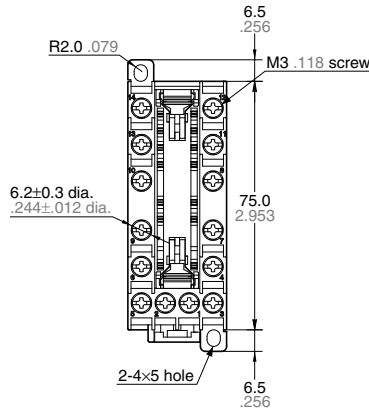
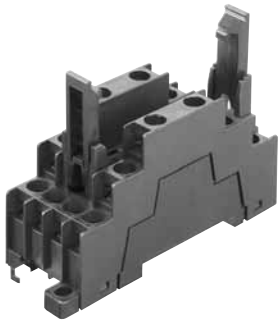
Note: Ring tongue terminals cannot be used with conventional DIN rail terminal socket (SFS4-SFD). In use of a ring tongue terminals, please use SFS4-SFD-R.

4. Terminal socket for spade and ring tongue terminals (For 6 poles finger protect type)

CAD Data

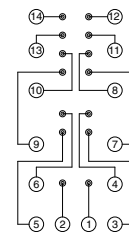
External dimensions

Mounting hole dimensions



General tolerance: $\pm 0.5 \pm .020$

Schematic (Top view)



* Reference value (when using DIN rail ATA48011)

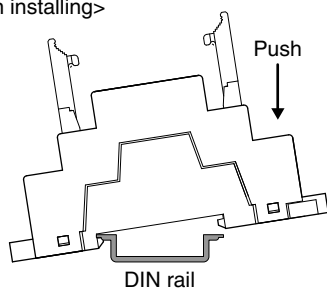
Note: Ring tongue terminals cannot be used with conventional DIN rail terminal socket (SFS6-SFD). In use of a ring tongue terminals, please use SFS6-SFD-R.

NOTES

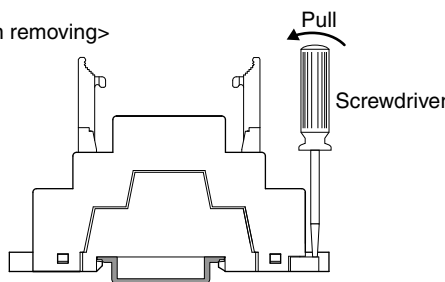
Installation

- 1) Attach directly to the chassis or use a DIN rail.
 - (1) When attaching directly to chassis
 - Use a M3.5 screw, spring washer, and hex nut.
 - For the mounting pitch, refer to the dimensions.
 - (2) When installing on a DIN rail
 - Use a 35 mm 1.378 inch wide DIN rail (DIN46277).
 - Install and remove as shown in the figures below.

<When installing>

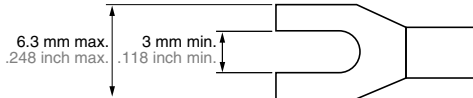


<When removing>



2) Refer to the figure below for applicable wire-pressed terminals.

Spade tongue terminal



Ring tongue terminal

